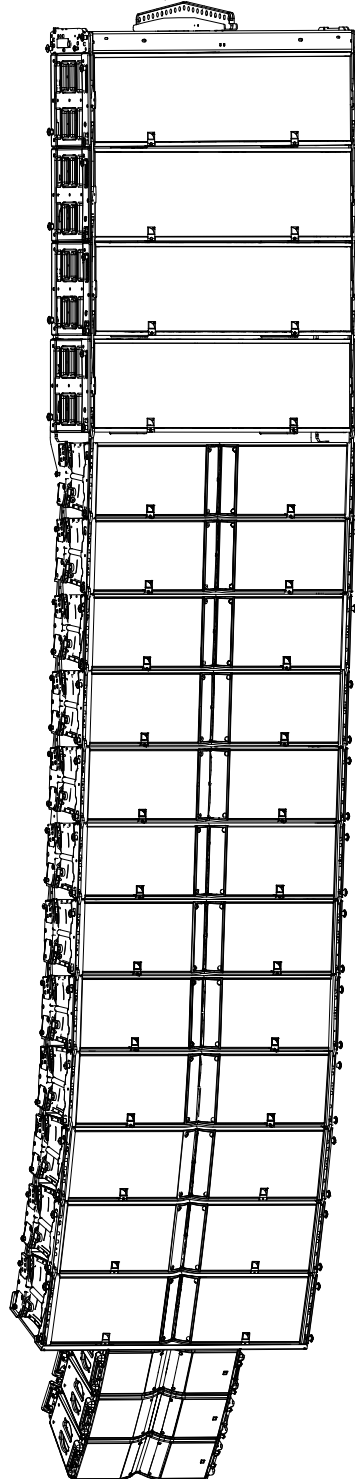


# K2



## owner's manual (EN)



Document reference: K2 owner's manual (EN) version 3.0

Distribution date: September 25, 2023

© 2023 L-Acoustics. All rights reserved.

No part of this publication may be reproduced or transmitted in any form or by any means without the express written consent of the publisher.



## Contents

Safety.....	6
Instructions.....	6
Introduction.....	8
K2 variable curvature WST line source.....	8
How to use this manual.....	8
Revision history.....	9
System components.....	10
System component illustrations.....	11
Electro-acoustical description.....	14
K2 horizontal directivity settings.....	14
K2 directivity.....	15
K1-SB applications.....	16
Preset description.....	17
Connectors.....	18
Rigging system description.....	20
Elements for enclosure rigging.....	20
Elements for storage and transportation.....	21
Elements for ground stacking.....	22
Elements for flying.....	23
Elements for LA-RAK/LA-RAK II rigging.....	27
Mechanical safety.....	29
Loudspeaker configurations.....	32
K2 line source.....	32
Additional subwoofer system.....	34
K1-SB.....	35
KS28.....	38
Additional downfill element.....	40
Kara II.....	40
Inspection and preventive maintenance.....	42
How to do preventive maintenance.....	42
Rigging part inspection.....	43
Mechanical system overview.....	43
K2 mixed array with K2-BAR, K2-BUMP, K1-SB, and K2-LINK.....	44
K2 array with K2-BUMP and KARADOWNK2.....	45







K2 array with K2-CHARIOT and K2-JACK.....	46
K2 array with K2-BAR, K2-RAKMOUNT, and K2-BUMP.....	47
K2 array with K2-RIGBAR as pullback.....	48
Inspection references.....	49
Ball-locking pins.....	49
Shackles.....	52
Grill safety.....	53
Mechanical checks.....	54
Rigging check.....	54
Adjustable fins check.....	57
Acoustical check.....	59
Rigging procedures.....	63
System setup.....	63
Ground stacking.....	63
Flying.....	65
Subset procedures.....	71
A - Preparing a block of 4 K2.....	71
B - Preset the inter-enclosure angles.....	75
C - Attaching K2-JACK stabilizers to K2-CHARIOT.....	77
D - Changing the position of the K2-CHARIOT rear rigging arm.....	82
E - Adjusting the K2-CHARIOT site angle.....	85
F - Stacking K2 on K2-BUMP.....	87
G - Attaching K2-BAR to K2-BUMP.....	91
H - Attaching a block of four K2 under K2-BUMP.....	94
I - Attaching a block of four K2 under K2-RIGBAR.....	99
J - Attaching a block of four K2 under K2.....	102
K - Attaching a block of four K2 under a K1 system element.....	108
L - Attaching K1 or K1-SB under K2-BUMP.....	115
M - Mounting LA-RAK/LA-RAK II on K2-BUMP.....	117
N - Using a K2-RIGBAR to implement a pullback.....	122
O - Rigging a Kara II downfill array under a K2 array.....	125
Connection to LA amplified controllers.....	129
Corrective maintenance.....	131
Introduction.....	131
Tools and consumables.....	131
K2.....	133
K1-SB.....	155

Specifications.....	160
APPENDIX A: Pickup points guidelines.....	179
APPENDIX B: Installing a laser inclinometer.....	183
APPENDIX C: Recommendation for speaker cables.....	189

# Safety

## Instructions

---

-  **Inspect the system before any deployment.**  
Perform safety related checks and inspections before any deployment.
- Perform preventive maintenance at least once a year.**  
Refer to the preventive maintenance section for a list of actions and their periodicity.  
Insufficient upkeep of the product can void the warranty.
- If any safety issue is detected during inspection, do not use the product before performing corrective maintenance.**  
Check for issues. A rigging system part or fastener is missing or loose. A rigging system part exhibits: bends, breaks, broken parts, corrosion, cracks, cracks in welded joints, deformation, denting, wear, holes. A safety cue or label is missing.
-  **Never incorporate equipment or accessories not approved by L-Acoustics.**
-  **Read all the related PRODUCT INFORMATION documents shipped with the products before exploiting the system.**
-  **Do not store the product on an unstable cart, stand, tripod, bracket, or table.**
-  **Beware of sound levels.**  
Do not stay within close proximity of loudspeakers in operation.  
Loudspeaker systems are capable of producing very high sound pressure levels (SPL) which can instantaneously lead to permanent hearing damage to performers, production crew and audience members. Hearing damage can also occur at moderate level with prolonged exposure to sound.  
Check the applicable laws and regulations relating to maximum sound levels and exposure times.
-  **Work with qualified personnel for rigging the system.**  
Installation should only be carried out by qualified personnel that are familiar with the rigging techniques and safety recommendations outlined in this manual.
- Ensure personnel health and safety.**  
During installation and set-up personnel must wear protective headgear and footwear at all times. Under no circumstances is personnel allowed to climb on a loudspeaker assembly.
- Respect the Working Load Limit (WLL) of third party equipment.**  
L-Acoustics is not responsible for any rigging equipment and accessories provided by third party manufacturers. Verify that the Working Load Limit (WLL) of the suspension points, chain hoists and all additional hardware rigging accessories is respected.
- Respect the maximum configurations and the recommended safety precautions.**  
For safety issue, respect the maximum configurations outlined in this manual. To check the conformity of any configuration in regards with the safety precautions recommended by L-Acoustics, model the system in Soundvision and refer to the warnings in Mechanical Data section.
- Be cautious when flying a loudspeaker configuration.**  
Before installing/raising the product, check each individual element to make sure that it is securely fastened to the adjacent element. Always verify that no one is standing underneath the product when it is being installed/raised. Never leave the product unattended during the installation process.  
As a general rule, L-Acoustics recommends the use of secondary safety at all times.
- Be cautious when ground-stacking a loudspeaker array.**  
Do not stack the loudspeaker array on unstable ground or surface. If the array is stacked on a structure, platform, or stage, always check that the latter can support the total weight of the array.  
As a general rule, L-Acoustics recommends the use of safety straps at all times.

**Risk of falling objects**

Verify that no unattached items remain on the product or assembly.

**Risk of tipping**

Remove all rigging accessories before transporting a product or an assembly.

**Take into account the wind effects on dynamic load.**

When a loudspeaker assembly is deployed in an open air environment, wind can produce dynamic stress to the rigging components and suspension points.

If the wind force exceeds 6 bft (Beaufort scale), lower down and/or secure the product or the assembly.

**Intended use**

This system is intended for use by trained personnel for professional applications.

**Read the OWNER'S MANUAL before installing the system.**

Use the loudspeaker system components described in the manual and follow the operating instructions.

**As part of a continuous evolution of techniques and standards, L-Acoustics reserves the right to change the specifications of its products and the content of its documents without prior notice.**

Check [www.l-acoustics.com](http://www.l-acoustics.com) on a regular basis to download the latest document and software updates.

**Long term exposure to extreme conditions may damage the product.**

For more information, refer to the **Products weather protection** document, available on the website.

**Read the maintenance section of this document before servicing the product.****Contact L-Acoustics for advanced maintenance.**

Any unauthorized maintenance operation will void the product warranty.



This marking indicates that this product should not be disposed of with other household waste throughout the EU. To prevent possible harm to the environment or human health from uncontrolled waste disposal, recycle it responsibly to promote the sustainable reuse of material resources. To return your used device, please use the return and collection systems or contact the retailer where the product was purchased. They can take this product for environmentally safe recycling.



# Introduction

## K2 variable curvature WST line source

---

The K2 is the full range element of a WST<sup>®</sup> line source with variable curvature and adjustable horizontal directivity. The K2 loudspeaker enclosure is based on a 3-way active design. It comprises 4 input sections: 2 LF and 1 MF at a nominal impedance of 8 ohms, and 1 HF at a nominal impedance of 16 ohms. It features two 12" speakers and four 6.5", all direct-radiating neodymium speakers mounted in a bass-reflex enclosure, and two 3" neodymium diaphragm compression drivers coupled to individual DOSC<sup>®</sup> waveguides and adjustable directivity fins. The transducers are implemented in a K-shape configuration. The cabinet is made of machined first grade Baltic birch plywood (for top, bottom and back panels) combined to die cast aluminum side panels to ensure maximum acoustical and mechanical integrity while reducing weight to the minimum. A four-point rigging system is integrated into the cabinet.

The K2 enclosure operates over the nominal frequency range of 35 Hz to 20 kHz. Its LF contour can be reinforced with the dedicated K1-SB extension and its bandwidth can be extended down to 25 Hz with the KS28 subwoofer. In the horizontal plane, the directivity is adjustable down to 300 Hz, with two symmetric settings (70° or 110°) and two asymmetric settings (90° as 35°/55° or 55°/35°).

The K2 rigging system allows vertical assembly of enclosures with various inter-element angles (up to 10°), constituting a line array with variable curvature. The combination of the coplanar symmetry and the DOSC<sup>®</sup> waveguide in the HF region ensure a perfect acoustic coupling between the elements of an array. The WST<sup>®</sup> (Wavefront Sculpture Technology) criteria are fulfilled, so that such an array can be qualified as a true line source. Any WST<sup>®</sup> line source provides a smooth tonal response and a coverage that is free of secondary lobes over the entire frequency range.

The K2 is driven and quad-amplified by the LA12X or LA4X controller with factory presets which ensure linearization, protection, and optimization for the loudspeaker system.

## How to use this manual

---

The K2 owner's manual is intended for all actors involved in the system design, implementation, preventive and corrective maintenance of the K2 system. It must be used as follows:

1. Read the technical description for an overview of all system elements, their features, and their compatibilities.
  - [Electro-acoustical description](#) (p.14)
  - [Rigging system description](#) (p.20)
2. Prepare the system configuration. Consider the mechanical limits and the available acoustical configurations.
  - [Mechanical safety](#) (p.29)
  - [Loudspeaker configurations](#) (p.32)
3. Before rigging the system, perform mandatory inspections and functional checks.
  - [Inspection and preventive maintenance](#) (p.42)
4. To deploy the system, follow the step-by-step rigging instructions and refer to the cabling schemes.
  - [Rigging procedures](#) (p.63)
  - [Connection to LA amplified controllers](#) (p.129)



The [Corrective maintenance](#) (p.131) section contains the operations authorized for the end user.

Performing another operation exposes to hazardous situations.

For advanced maintenance, contact your L-Acoustics representative.

**As part of a continuous evolution of techniques and standards, L-Acoustics reserves the right to change the specifications of its products and the content of its document without prior notice.** Please check [www.l-acoustics.com](http://www.l-acoustics.com) on a regular basis to download the latest document and software updates.


## Contact information


For information on advanced corrective maintenance:

- contact your Certified Provider or your L-Acoustics representative
- for Certified Providers, contact the L-Acoustics customer service: [customer.service@l-acoustics.com](mailto:customer.service@l-acoustics.com) (EMEA/APAC), [laus.service@l-acoustics.com](mailto:laus.service@l-acoustics.com) (Americas).

## Symbols

The following symbols are used in this document:

 This symbol indicates a potential risk of harm to an individual or damage to the product. It can also notify the user about instructions that must be strictly followed to ensure safe installation or operation of the product.

 This symbol notifies the user about instructions that must be strictly followed to ensure proper installation or operation of the product.

 This symbol notifies the user about complementary information or optional instructions.

## Revision history

version number	publication date	modification
1.0	Oct. 2019	Initial version.
1.1	Jan. 2020	Minor corrections.
2.0	Mar. 2020	Added Kara II.
3.0	Sept. 2023	<ul style="list-style-type: none"> <li>• Removed LA8 and SB28.</li> <li>• Added instructions for proper use, inspection, and maintenance of adjustable fins:               <ul style="list-style-type: none"> <li>• <a href="#">K2 horizontal directivity settings</a> (p.14)</li> <li>• <a href="#">Adjustable fins check</a> (p.57)</li> <li>• <a href="#">D/R - Variable directivity fins</a> (p.138)</li> </ul> </li> <li>• Added safe and maximum limit for pullback configuration. See <a href="#">Mechanical safety</a> (p.29).</li> <li>• Added presets [KARAIIDOWNK2 70] and [KARAIIDOWNK2 90] in <a href="#">Additional downfill element</a> (p.40).</li> <li>• Changed speaker references:               <ul style="list-style-type: none"> <li>• for K2 LF: <a href="#">D/R - LF speaker</a> (p.143)</li> <li>• for K1-SB LF: <a href="#">D/R - LF speaker</a> (p.157)</li> </ul> </li> <li>• Various fixes and improvements.</li> </ul>

## System components

### Loudspeaker enclosures

K2	3-way full-range active WST enclosure
K1-SB	K1 system subwoofer 2x15"
KS28	Flyable subwoofer 2 × 18"
Kara II	2-way active WST® enclosure: 2 × 8" LF + 3" HF diaphragm

### Powering and driving system

LA4X / LA12X	Amplified controller with DSP, preset library and networking capabilities
--------------	---



Refer to the LA4X / LA12X owner's manual for operating instructions.

### Rack

LA-RAK II AVB	Touring rack containing three LA12X, LA-POWER II for power distribution, LA-PANEL II for audio and network distribution, and two LS10 for AVB distribution
---------------	--

### Cables

SP cables	SpeakON loudspeaker cables (4-point, 4 mm <sup>2</sup> gauge) Come in different sizes: SP.7 (0.7 m / 2.3 ft), SP5 (5 m / 16.4 ft), SP10 (10 m / 32.8 ft), and SP25 (25 m / 82 ft)
SP-Y1	Breakout cable for two passive enclosures (2.5 mm <sup>2</sup> gauge) 4-point speakON to 2 × 2-point speakON, provided with a CC4FP adapter
DO cables	PA-COM loudspeaker cables (8-point, 4 mm <sup>2</sup> gauge) Come in different sizes: DO.7 (0.7 m / 2.3 ft), DO.10 (10 m / 32.8 ft), and DO.25 (25 m / 82 ft)
DOSUB-LA8	Breakout cable for four passive enclosures (4 mm <sup>2</sup> gauge) 8-point PA-COM to 4 × 2-point speakON
DOFILL-LA8	Breakout cable for two 2-way active enclosures (4 mm <sup>2</sup> gauge) 8-point PA-COM to 2 × 4-point speakON
DO3WFILL	Breakout cable for one 2-way active enclosure and two passive enclosures (4 mm <sup>2</sup> gauge) 8-point PA-COM to 1 × 4-point speakON and 2 × 2-point speakON



**Information about the connection of the enclosures to the LA amplified controllers is given in this document.**

Refer to the LA4X / LA12X owner's manual for detailed instructions about the whole cabling scheme, including modulation cables and network.

### Rigging elements

K2-BUMP	Structure for flying K2 arrays (incl. 1 extension sling + 1 laser adapter)
K2-BAR	Extension bar for K2-BUMP
K2-RIGBAR	K2 rigging bar and pullback (Inc. LA-SLING2T)
K1-DELTA	Rigging accessory for rear attachment of 2 motors to K1-BUMP
K2-LINK	Rigging accessory for rear attachment of K2 below K1
KARADOWNK2	Flying bumper for rigging Kara under K2



K2-RAKMOUNT	4 mounting cradle for LA-RAK (incl. rack stabilizer)
K1-BPCHAIN	Adjustable sling for K1-BUMP or K2-BUMP
LA-SLING2T	Lifting chain (DIN EN 818-4) 2-leg , 8 mm
K2-LASERMOUNT	K2 laser support plate (compatible TEQSAS / SSE Prosight / Align Array / KSG)
K2-JACK	4 tilt adjustment screw jacks + 2 bars for chariots

### Transportation accessories

K2-CHARIOT	Chariot for 4 K2
K2-CHARIOTCOV	Protective cover for 4 K2 on CHARIOT
K-BUMPFLIGHT	Modular flight case for 2 K1-BUMP or 2 K2-BUMP

### Software applications

Soundvision	3D acoustical and mechanical modeling software
LA Network Manager	Software for remote control and monitoring of amplified controllers

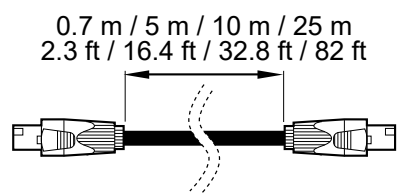


Refer to the **Soundvision** help.

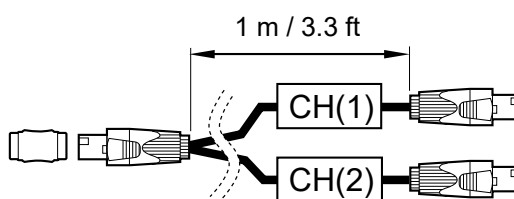
Refer to the **LA Network Manager** help.

## System component illustrations

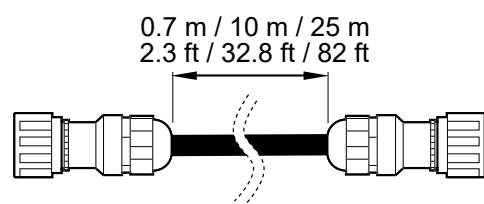
### Cables



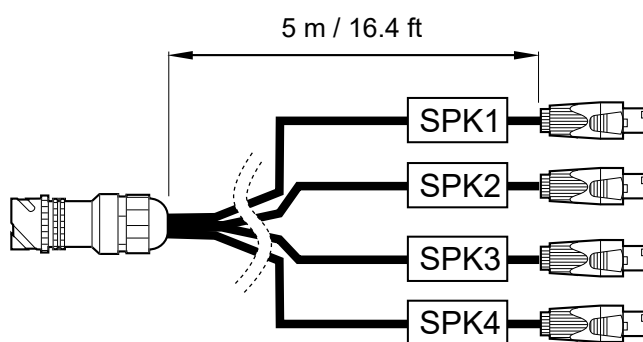
SP cables



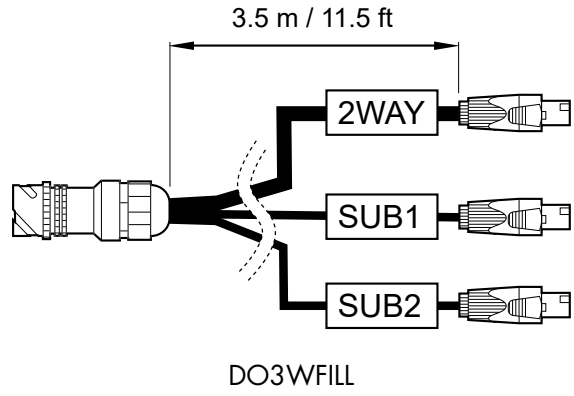
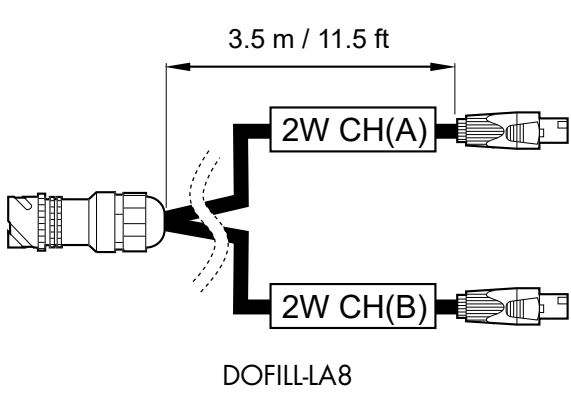
SP-Y1



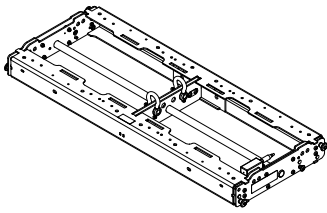
DO cables



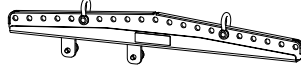
DOSUB-LA8



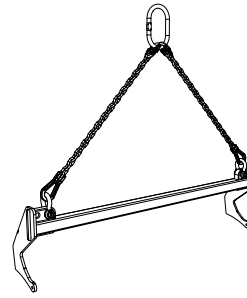
### Rigging accessories



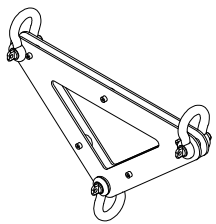
K2-BUMP



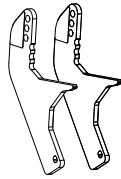
K2-BAR



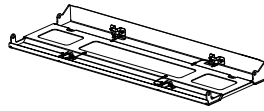
K2-RIGBAR



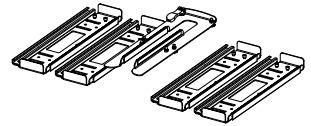
K1-DELTA



K2-LINK



KARADOWNK2



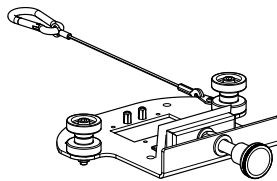
K2-RAKMOUNT



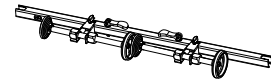
K1-BPCHAIN



LA-SLING2T

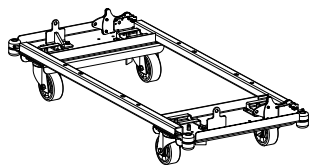


K2-LASERMOUNT

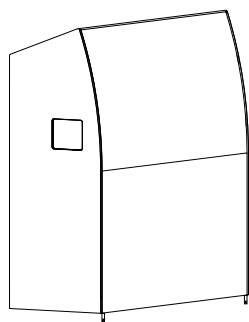


K2-JACK

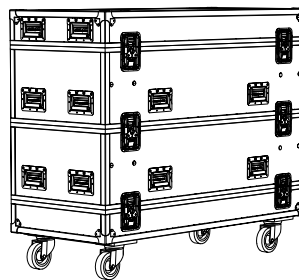
## Transportation



K2-CHARIOT



K2-CHARIOTCOV



K-BUMPFLIGHT

# Electro-acoustical description

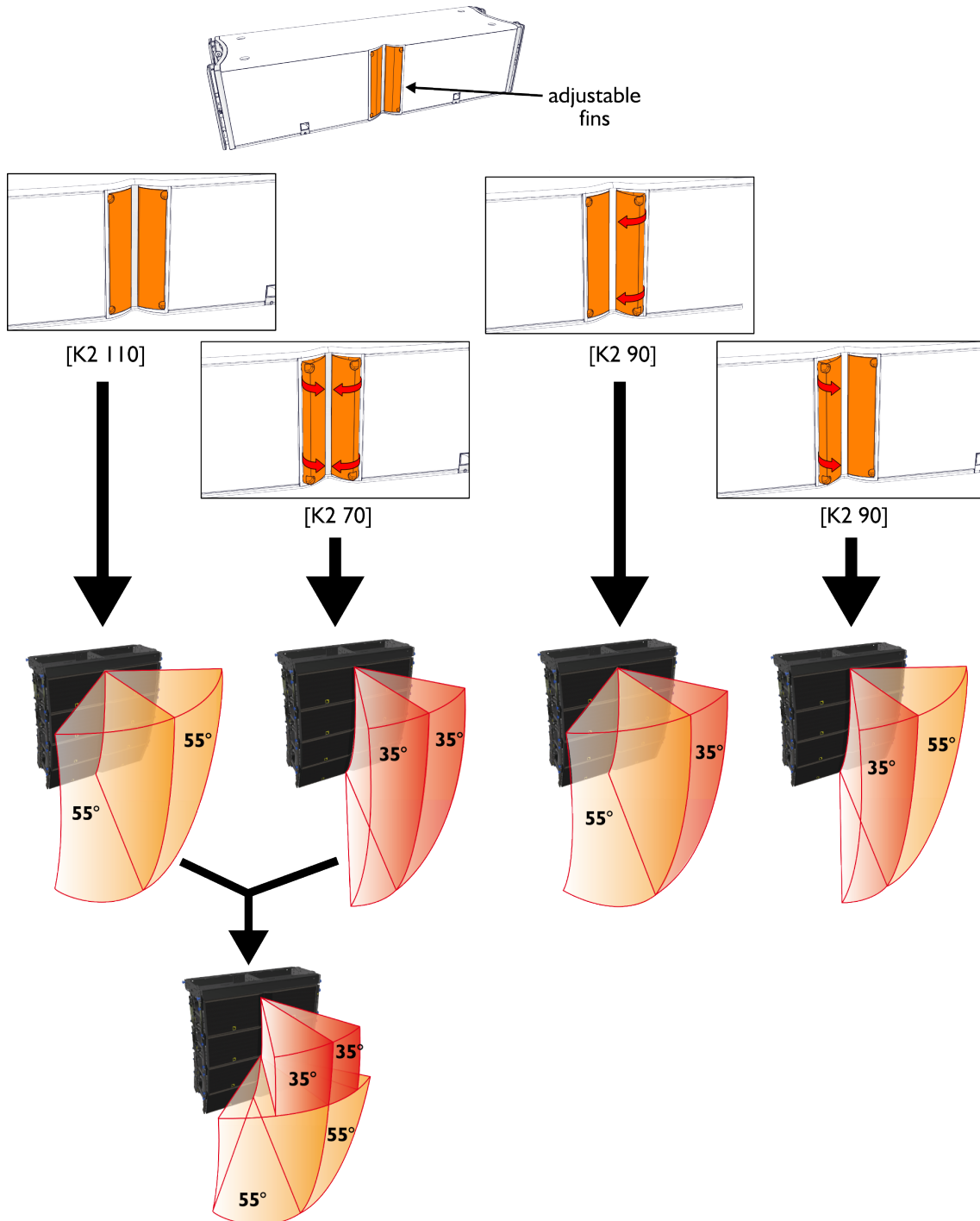
## K2 horizontal directivity settings

The K2 enclosure features an adjustable horizontal directivity system. Using the adjustable fins, horizontal directivity can be adjusted with four different settings: 110°/70° symmetric or 90° asymmetric (35°/55° or 55°/35°). A specific K2 preset must be used for each directivity setting.

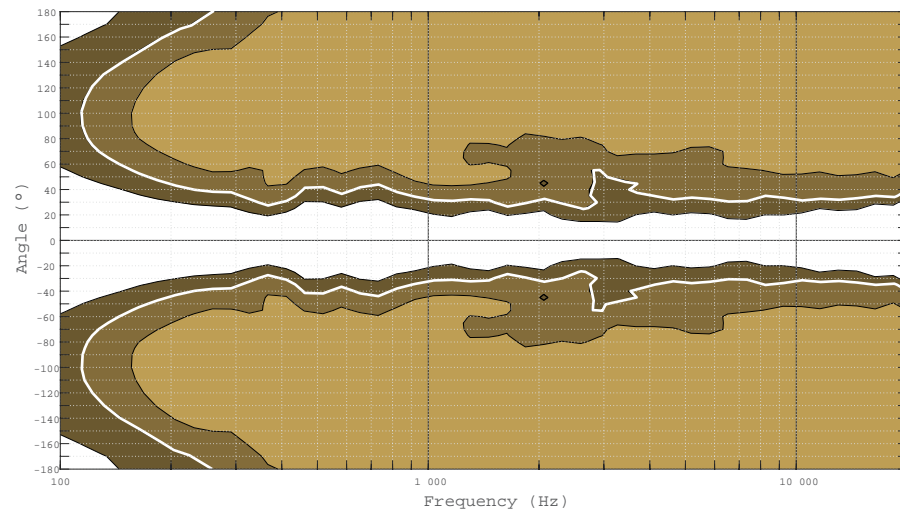
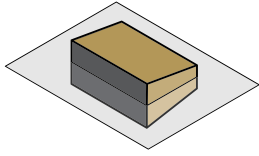
Deploy or retract the fins to change the fin setting. To deploy, pull the fin by the notches until the stop. To retract, tap or push firmly on the fin.

**! Risk of breaking the fin hooks**  
Do not use excessive force when deploying the fins.

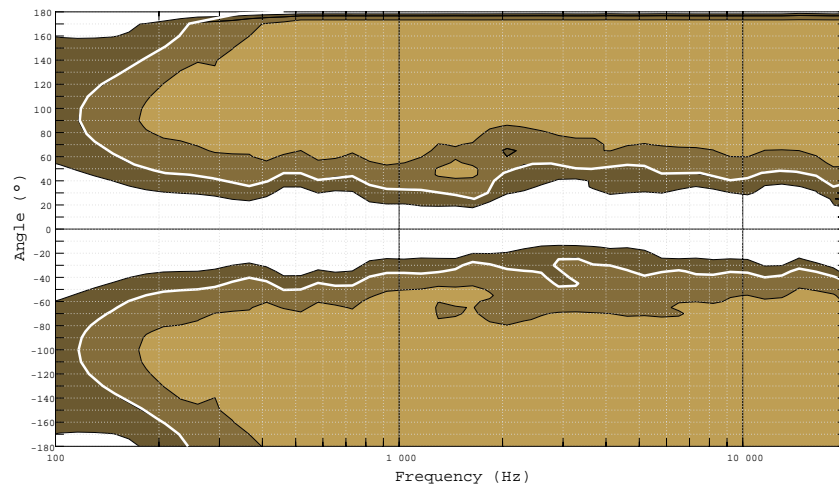
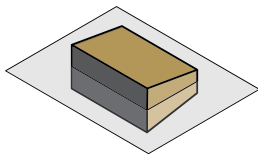
Within a line source, different directivity settings can be combined to improve the coverage of the audience geometry.



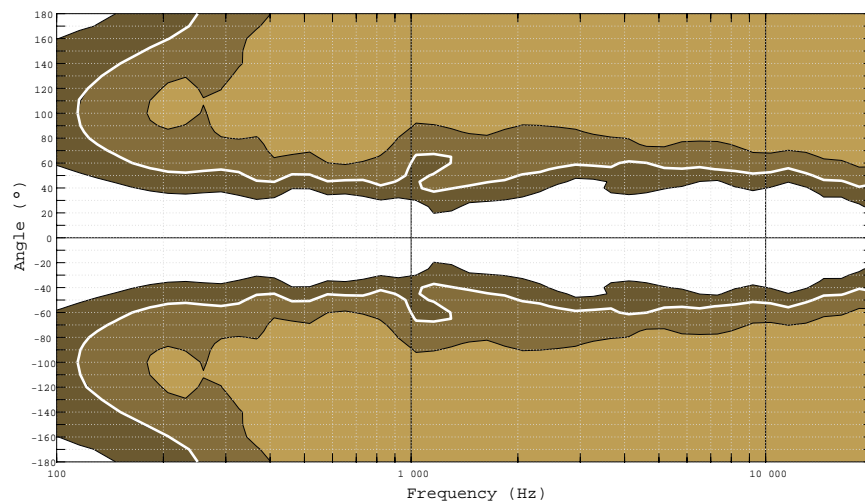
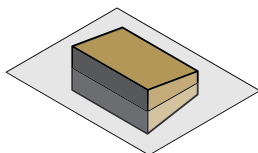
## K2 directivity



Dispersion angle diagram of a K2 array with 70° fins setting, using lines of equal sound pressure at -3 dB, -6 dB, -12 dB.



Dispersion angle diagram of a K2 array with 90° fins setting, using lines of equal sound pressure at -3 dB, -6 dB, -12 dB.



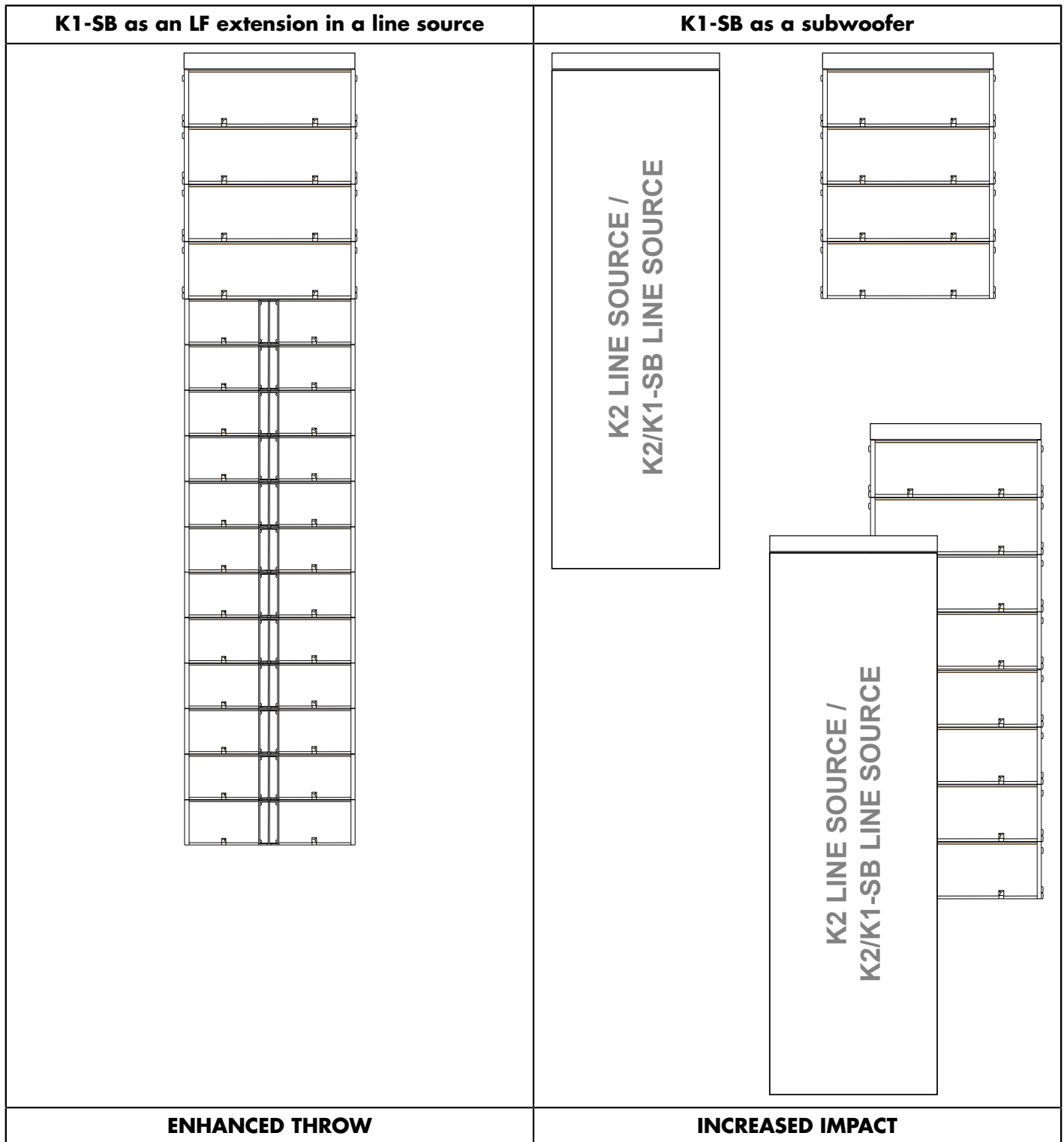
Dispersion angle diagram of a K2 array with 110° fins setting, using lines of equal sound pressure at -3 dB, -6 dB, -12 dB.

## K1-SB applications

There are two distinct applications for K1-SB in a K2 system:

- As an LF extension in a line source for enhanced throw, using the [K1SB\_X K2] preset with K2.
- As a subwoofer for increased impact, using the [K1SB\_60] preset.

**i** Both applications of K1-SB can be combined in the same configuration.



## Preset description

### [K2 70] [K2 90] [K2 110]

loudspeaker elements	outputs	channels	routing	gain	delay	polarity	mute
left LF	OUT 1	LF	IN A	0 dB	0 ms	+	ON
right LF	OUT 2	LF					ON
MF	OUT 3	MF					ON
HF	OUT 4	HF					ON

### [KARAIIDOWNK2] [KARAIIDOWNK2 70] [KARAIIDOWNK2 90]

loudspeaker elements	outputs	channels	routing	gain	delay	polarity	mute
LF	OUT 1	LF	IN A	0 dB	0 ms	+	ON
HF	OUT 2	HF					ON
LF	OUT 3	LF	IN A	0 dB	0 ms	+	ON
HF	OUT 4	HF					ON

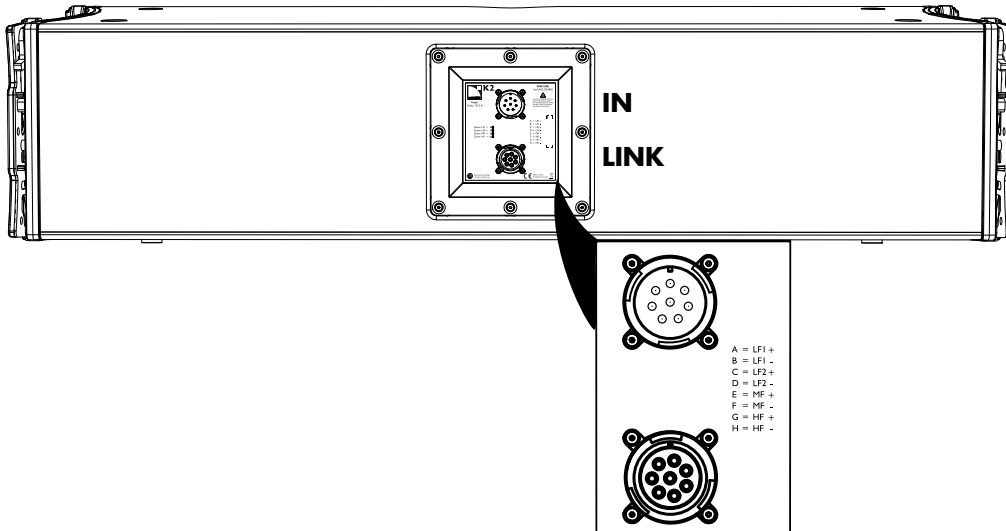
### [K1SB\_60] [K1SB\_X K2] [KS28\_60]

outputs	channels	routing	gain	delay	polarity	mute
OUT 1	SB	IN A	0 dB	0 ms	+	ON
OUT 2	SB	IN A	0 dB	0 ms	+	ON
OUT 3	SB	IN A	0 dB	0 ms	+	ON
OUT 4	SB	IN A	0 dB	0 ms	+	ON

### [KS28\_60\_C]

loudspeaker elements	outputs	channels	routing	gain	delay	polarity	mute
SR	OUT 1	SR	IN A	0 dB	0 ms	+	ON
SB	OUT 2	SB					ON
SB	OUT 3	SB					ON
SB	OUT 4	SB					ON

## Connectors



K2

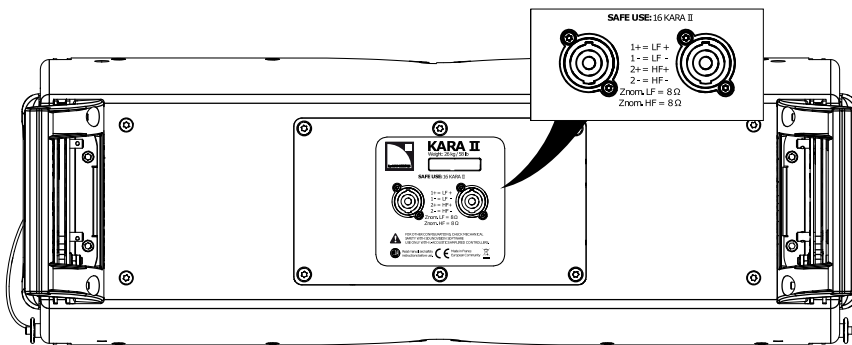
2 × 8-point PA-COM

### Internal pinout for L-Acoustics 3-way active enclosures

PA-COM points	A/B	C/D	E/F	G/H
Transducer connectors	left LF	right LF	MF	HF



SpeakON connectors can be used interchangeably as IN or LINK connector.



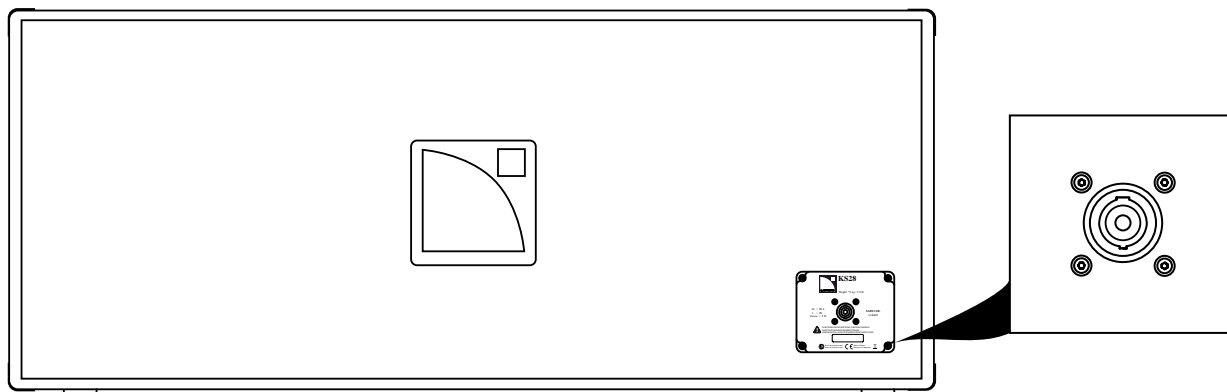
Kara II

2 × 4-point speakON

### Internal pinout for L-Acoustics 2-way active enclosures

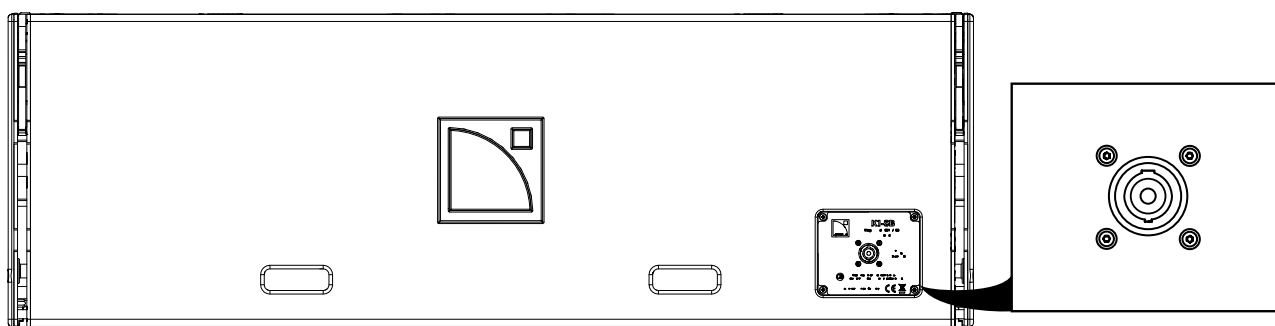
SpeakON points	1 +	1 -	2 +	2 -
Transducer connectors	LF +	LF -	HF +	HF -





KS28

1 × 4-point speakON



K1-SB

1 × 4-point speakON

### Internal pinout for L-Acoustics subwoofers

SpeakON points	1 +	1 -	2 +	2 -
Transducer connectors	LF +	LF -	Not linked	Not linked

# Rigging system description

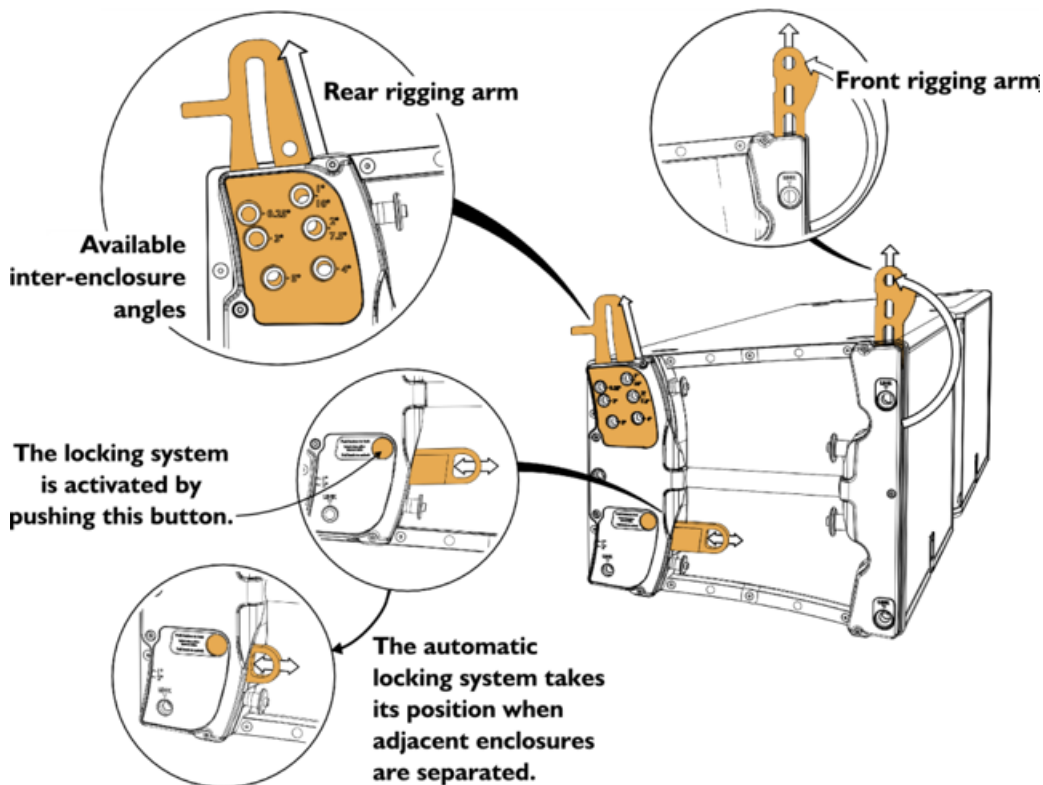
## Elements for enclosure rigging

### K2

On both sides, K2 integrates two arms to connect another element of the rigging system, such as an enclosure or to a flying frame.

- At the front, a rotating arm provides a fixed point around which the enclosure can freely rotate until its connection at the rear.
- At the rear, a sliding arm enables the inter-element angle setting and the inter-element rear connection.

The angles between adjacent enclosures are secured by an automatic system that is activated in advance and locks itself during the stacking and lifting procedures.





## Elements for storage and transportation

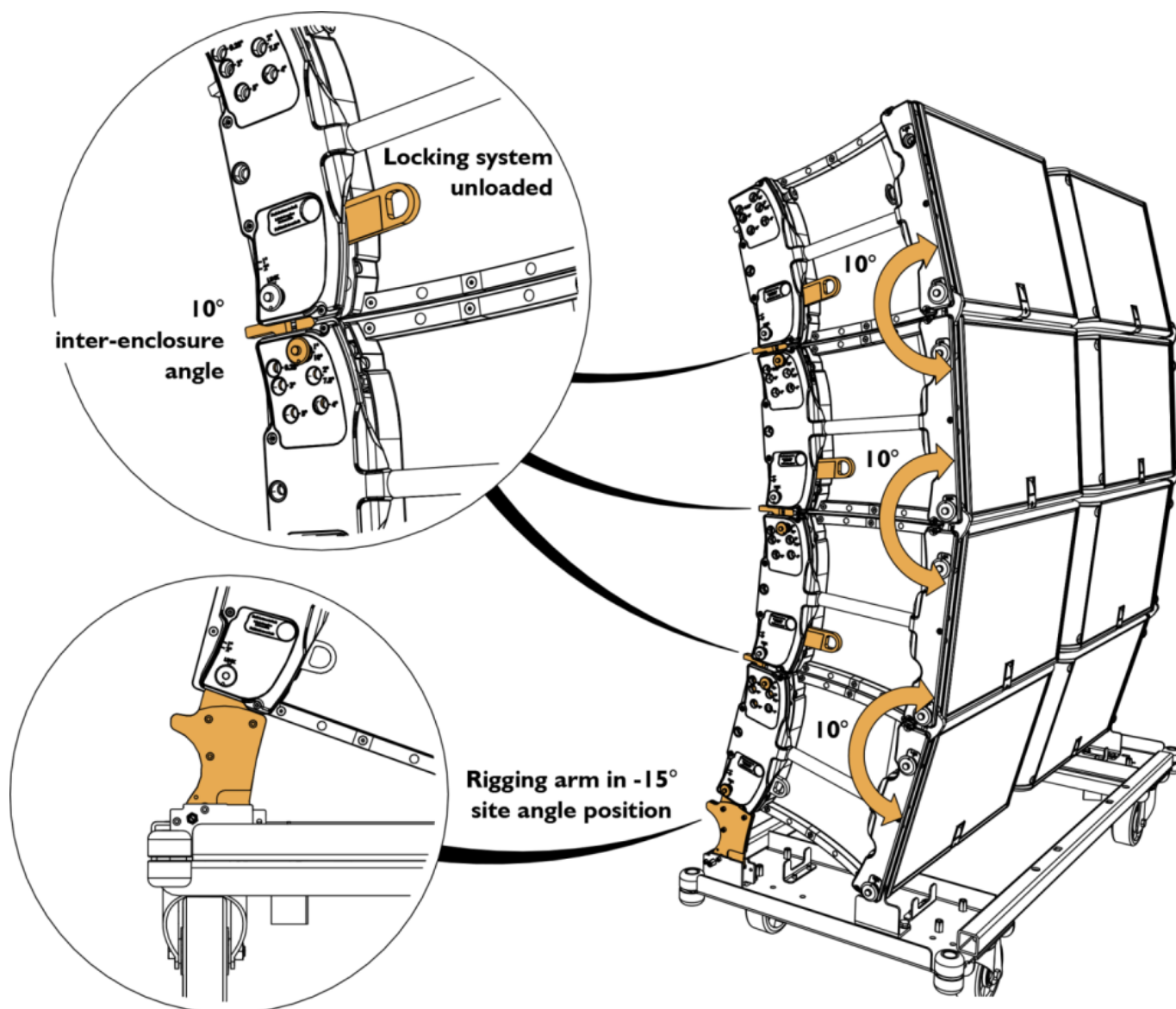
### K2-CHARIOT

K2-CHARIOT is designed for the transportation and storage of blocks of four K2 enclosures.

During transportation the blocks must have an inter-enclosure angle of  $10^\circ$  to avoid any separation of the enclosures. This angle must be set using the enclosure rear rigging arm pin. The automatic locking system must remain unloaded.

The K2-CHARIOT rear rigging arm must be at its  $-15^\circ$  site angle position.

-  **Tipping hazard**  
If the enclosures are not pinned at  $10^\circ$ , they can separate at the back and cause the stack to tip over.
-  **Risk of severe injury**  
Remove all enclosures before performing any maintenance operation on K2-CHARIOT.



## Elements for ground stacking

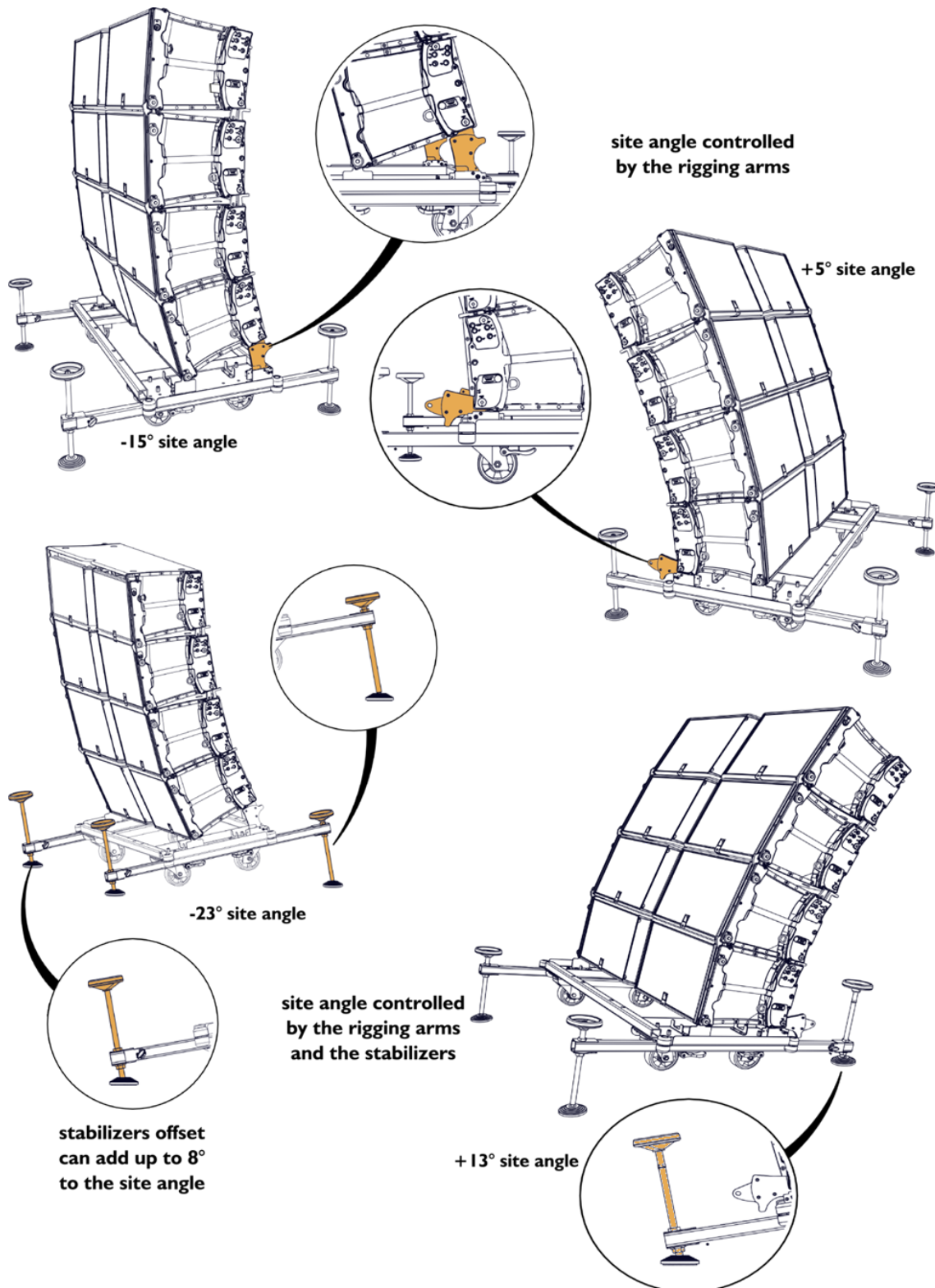
### K2-CHARIOT with K2-JACK

The K2-CHARIOT, combined with two K2-JACK stabilizers, is used as a stacking platform for K2 enclosures.

#### **Tipping hazard**

Always install the K2-JACK before:

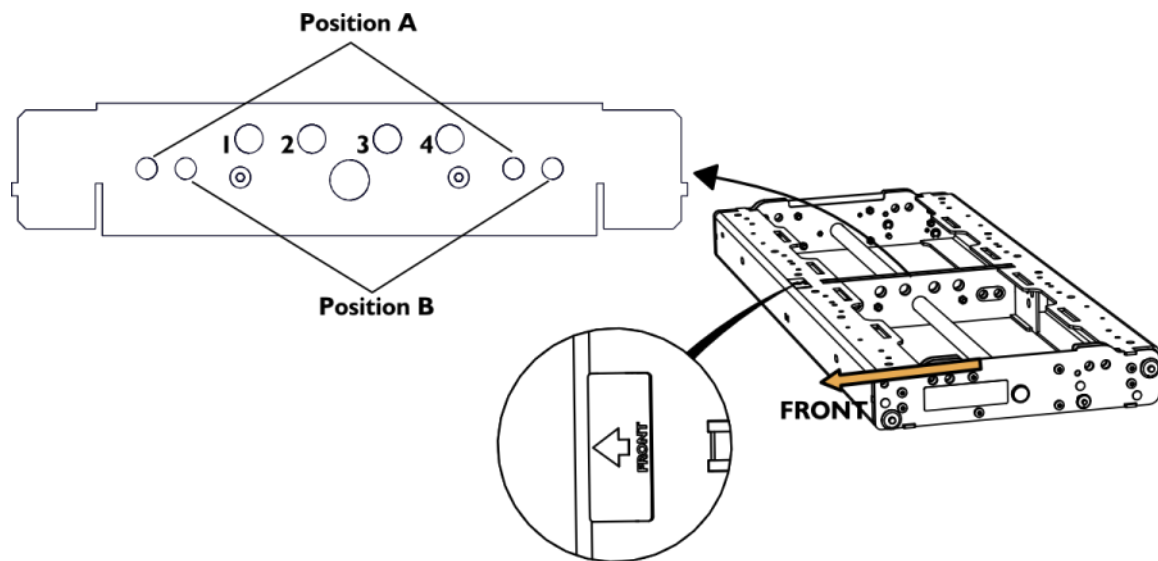
- setting the inter-enclosure angles
- changing the position of the K2-CHARIOT rear rigging arms



## Elements for flying

### K2-BUMP

K2-BUMP is designed for flying line arrays of K2, K1 or K1-SB. 4 holes are available on the central bar of the K2-BUMP. Refer to your Soundvision model to know which holes to use.

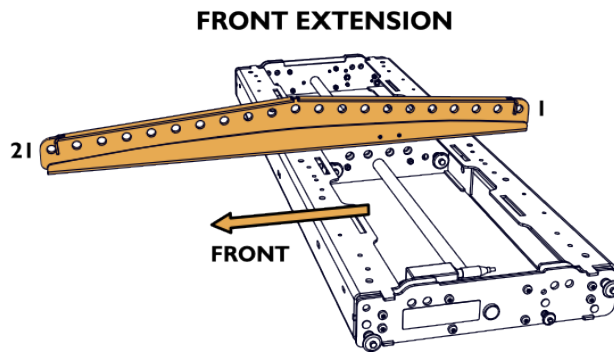
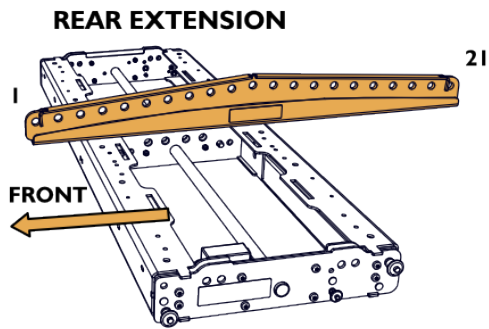
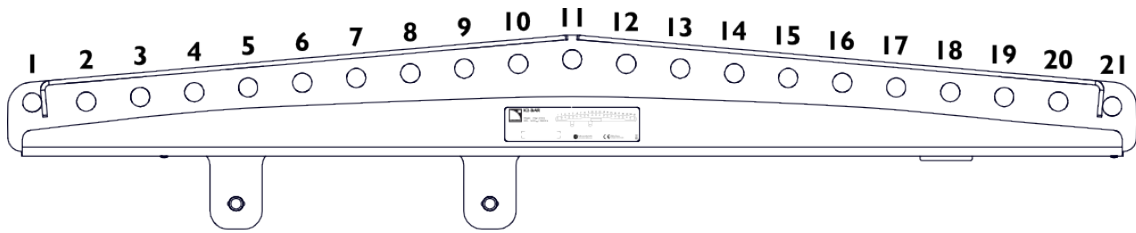


With K1-SB and a single motor the hole n°2 provides a 0° site angle.

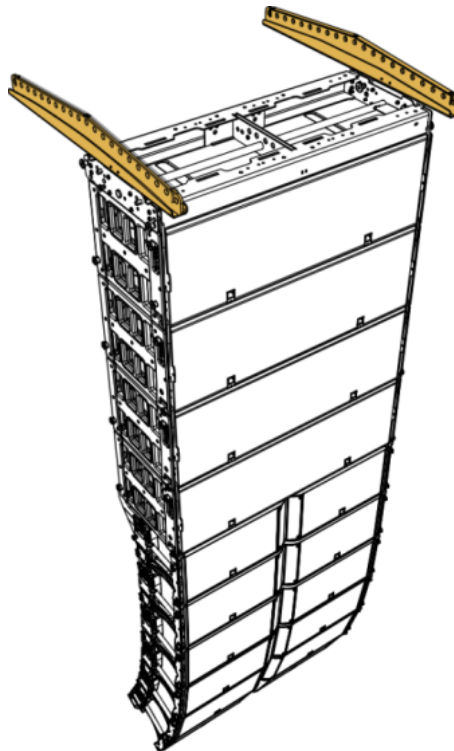
## K2-BAR to K2-BUMP

By adding a K2-BAR to the K2-BUMP, the site angle range can be increased. 21 holes are available on the K2-BAR which can be attached to the K2-BUMP as a rear or a front extension and in position A or B, thus offering a total of 84 discrete positions for pick-up points.

The rear extension is suited to downwards and front extension to upwards site angles.



Standard: One K2-BAR attached in the center of K2-BUMP



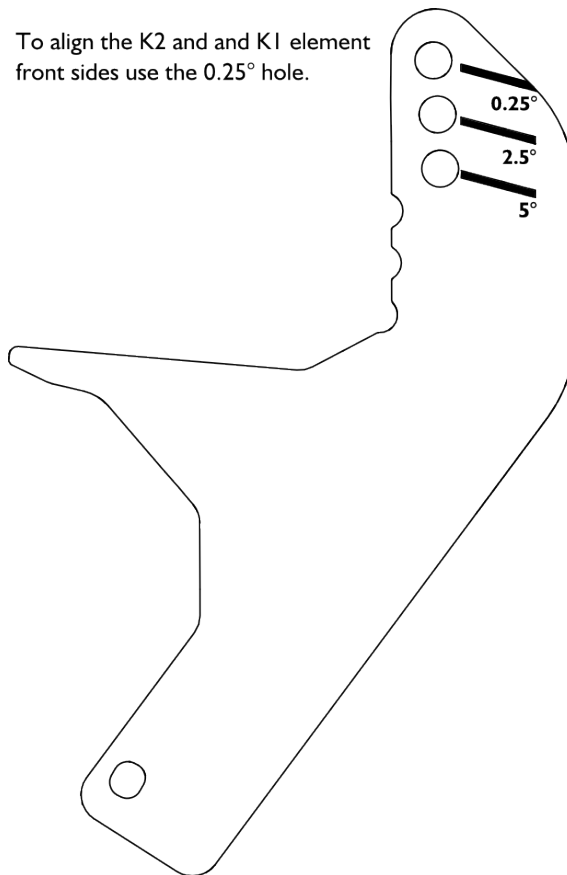
Alternative: Two K2-BAR attached on the sides

## K2-LINK

The K2-LINK is designed as an interface between the K1 and K2 rigging systems.

It is used to hang K2 under K1, K1-SB or K1-BUMP.

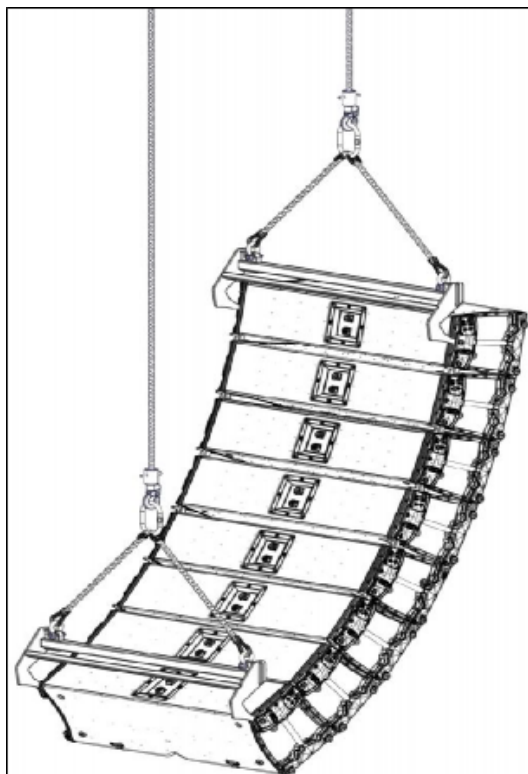
It provides three holes and therefore three angles between the top K2 enclosure and the bottom K1 element: 0.25°, 2.5° and 5°.



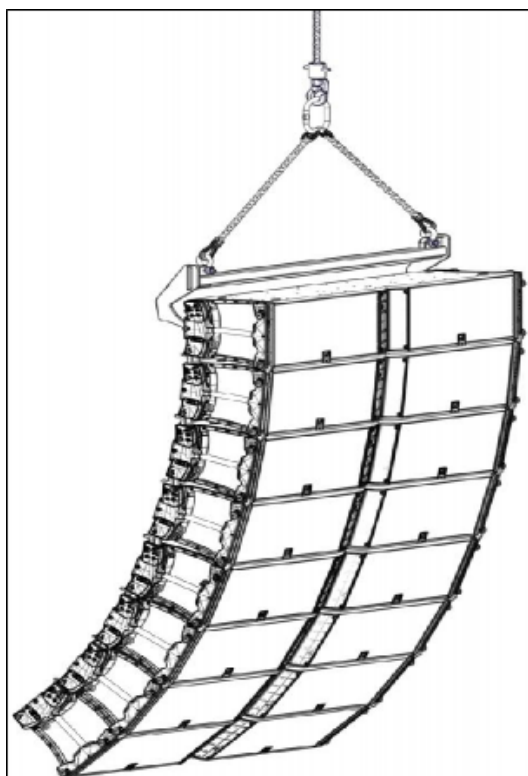


## K2-RIGBAR

The K2-RIGBAR can be used to implement a pullback either with K2-BUMP / K2-BAR or another K2-RIGBAR. It must be used with the LA-SLING2T.



The K2-RIGBAR can also be used as the main lifting point, thus providing a lighter solution for flying K2 enclosures with one lifting point.



**i** Refer to [N - Using a K2-RIGBAR to implement a pullback](#) (p.122) for more information on how to implement a pullback.

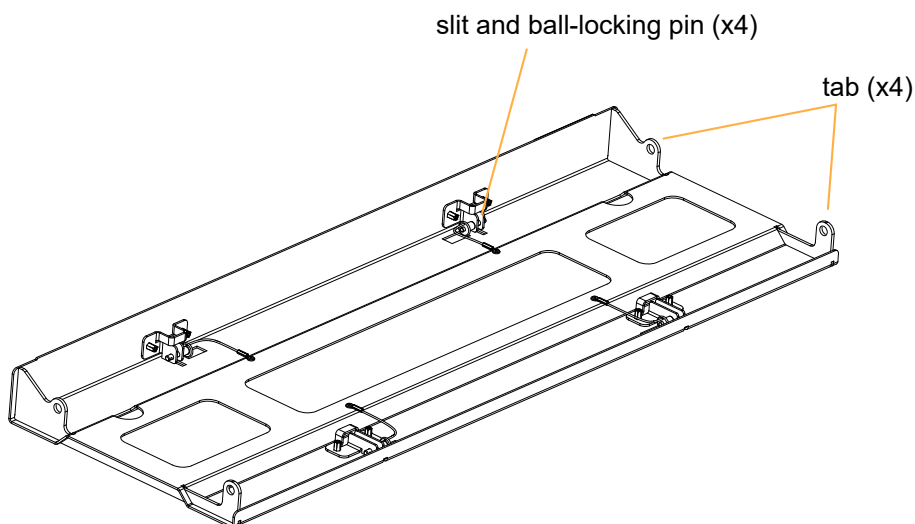


## KARADOWNK2

KARADOWNK2 is a rigging interface for Kara II under a K2 array.

The four tabs on the top are compatible with the K2 rigging system.

The four slits fitted with ball-locking pins accommodate the Kara II rigging arms.

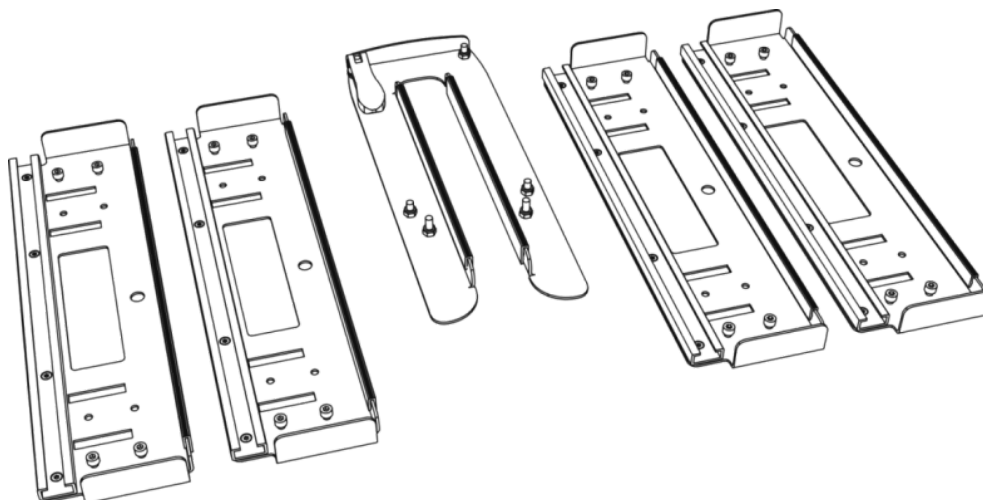


## Elements for LA-RAK/LA-RAK II rigging

---

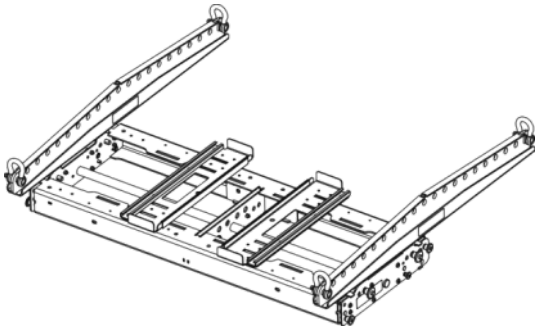
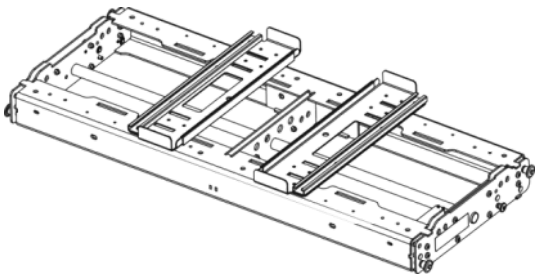
### K2-RAKMOUNT

The K2-RAKMOUNT is designed to stack one or two LA-RAK/LA-RAK II on top of a flown array. It is composed of four rails and a stabilizer.

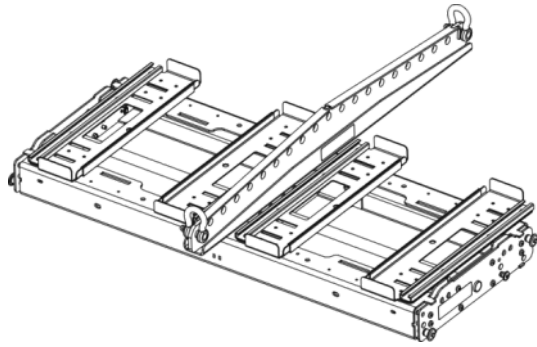
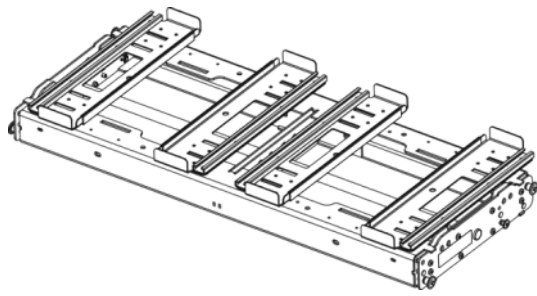


The rails are screwed on the K2-BUMP. Their number and position depend on the number of racks. The K2-RAKMOUNT must be used along with either one or two K2-BAR.

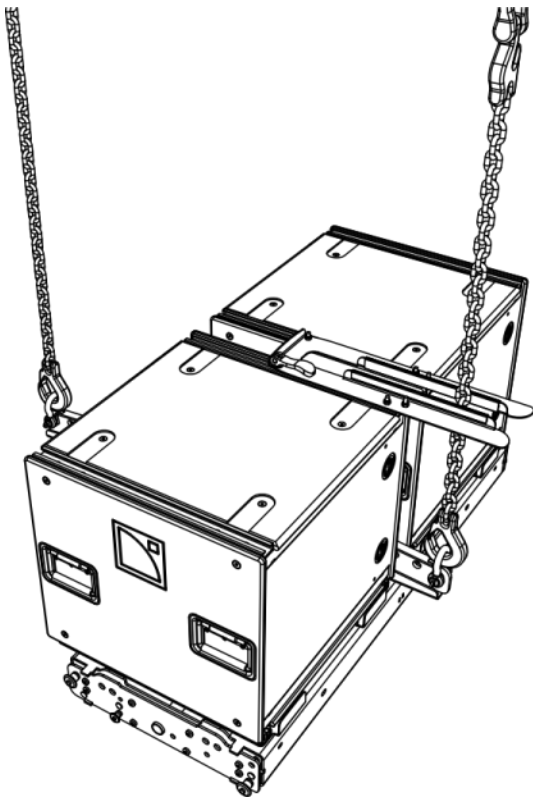
**1 LA-RAK/LA-RAK II : 2 rails : 2 K2-BAR**



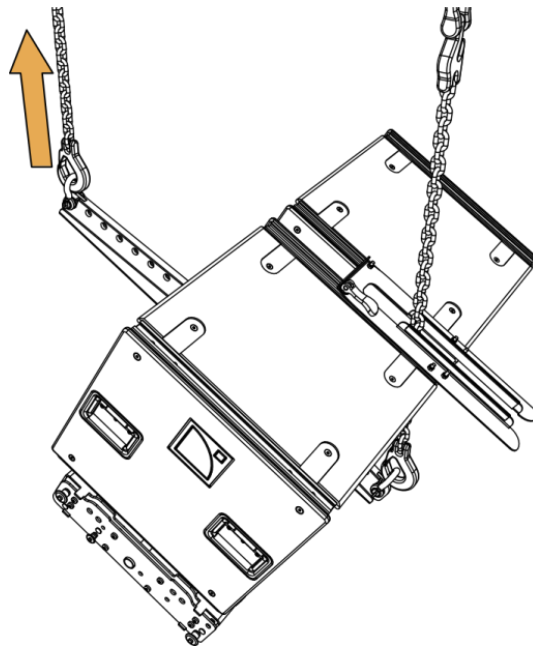
**2 LA-RAK/LA-RAK II : 4 rails : 1 K2-BAR**



When two racks are mounted side by side, the stabilizer is used to prevent the assembly from tipping or toppling over. The stabilizer traps one of the chains used to lift the assembly.



0° site angle



30° positive site angle

# Mechanical safety

## Flown configurations

The K2 rigging system complies with 2006/42/EC: Machinery Directive. It has been designed following the guidelines of BGV-C1.


2006/42/EC: Machinery Directive specifies a safety factor of 4 against the rupture. The flown deployments described in this manual achieve a safety factor of **4 or more**.

Refer to Soundvision for the safety factor of a specific deployment.

The **safe limit** gives the maximum number of elements for which the safety factor is compliant with the 2006/42/EC: Machinery Directive, within the use defined in this manual and regardless of the other deployment parameters (site angles, inter-element angles, etc.).

The **maximum limit** gives the maximum number of elements for which the safety factor can be compliant with the 2006/42/EC: Machinery Directive, when the other deployment parameters provide the best mechanical conditions.

For mixed arrays refer to your Soundvision model.

 **Always refer to Soundvision for the safety factor of a mixed array.**  
When flying a K2 array with a Kara II downfill, the mechanical safety of all system elements must be considered. The indicated maximum limit applies to the K2 only.

 **Do not implement a pullback on a K2 array with a Kara II downfill.**

## K2

configuration	rigging accessory	safe limit	maximum limit
flown	K2-BUMP	16	24
	K2-BUMP + K2-BAR	14 K2 + 2 LA-RAK	24 K2 + 2 LA-RAK
		12 K1-SB + 1 LA-RAK	16 K1-SB + 2 LA-RAK
	K2-LINK under K1-BUMP	16	24
	K2-RIGBAR	12	12
flown with a pullback	K2-BUMP + K2-BAR or K2-RIGBAR + K2-RIGBAR	12	16
flown with downfill	KARADOWNK2	6 Kara II	

## K1-SB

configuration	rigging accessory	safe limit	max limit
flown	K1-BUMP	18	24

## KS28

configuration	rigging accessory	maximum / safe limit
flown	KS28-BUMP	16

## Other configurations

For other configurations, respect the recommended maximum limit for optimal stability.

### K2

<b>configuration</b>	<b>rigging accessory</b>	<b>safe limit</b>	<b>maximum limit</b>
ground-stacked	K2-BUMP	4	6
stacked	K2-CHARIOT with K2-JACK	4	6

### KS28

<b>Configuration</b>	<b>Rigging accessory</b>	<b>Maximum limit</b>
ground-stacked	no rigging accessory	4
stacked upright	no rigging accessory	2
stacked on chariot	KS28-CHARIOT	4

## Assessing mechanical safety

---



### **Mechanical safety of the rigging system**

Before any installation, always model the system in Soundvision and check the **Mechanical Data** section for any stress warning or stability warning.

In order to assess the actual safety of any array configuration before implementation, refer to the following warnings:



### **Rated working load limit (WLL) is not enough**

The rated WLL is an indication of the element resistance to tensile stress. For complex mechanical systems such as loudspeaker arrays, WLLs cannot be used per se to determine the maximum number of enclosures within an array or to assess the safety of a specific array configuration.

### **Maximum pullback angle**

If a pullback accessory is available, the pullback angle must not exceed a 90° negative site angle.

### **Mechanical modeling with Soundvision**

The working load applied to each linking point, along with the corresponding safety factor, will depend on numerous variables linked to the composition of the array (type and number of enclosures, splay angles) and the implementation of the flying or stacking structure (number and location of flying points, site angle). This cannot be determined without the complex mechanical modeling and calculation offered by Soundvision.

### **Assessing the safety with Soundvision**

The overall safety factor of a specific mechanical configuration always corresponds to the lowest safety factor among all the linking points. Always model the system configuration with the Soundvision software and check the **Mechanical Data** section to identify the weakest link and its corresponding working load. By default, a stress warning will appear when the mechanical safety goes beyond the recommended safety level.

### **Safety of ground-stacked arrays in Soundvision**

For ground-stacked arrays, a distinct stability warning is implemented in Soundvision. It indicates a tipping hazard when the array is not secured to the ground, stage or platform. It is the user's responsibility to secure the array and to ignore the warning.

### **Additional safety for flown arrays**

When flying an array, use available holes to implement a secondary safety.

### **Considerations must be given to unusual conditions**

Soundvision calculations are based on usual environmental conditions. A higher safety factor is recommended with factors such as extreme high or low temperatures, strong wind, prolonged exposition to salt water, etc. Always consult a rigging specialist to adopt safety practices adapted to such a situation.

# Loudspeaker configurations

## K2 line source

Deployed as a line source, the system operates over the nominal bandwidth of the K2 enclosure, with an adjustable horizontal directivity.

Two configurations are possible:

- K2 line source
- K2/K1-SB line source: enhanced LF throw

The [K2 70], [K2 90] and [K2 110] presets allow for a reference frequency response in long throw applications. Each preset is dedicated to a horizontal directivity setting.



### Risk of breaking the fin hooks

Do not use excessive force when deploying the fins.

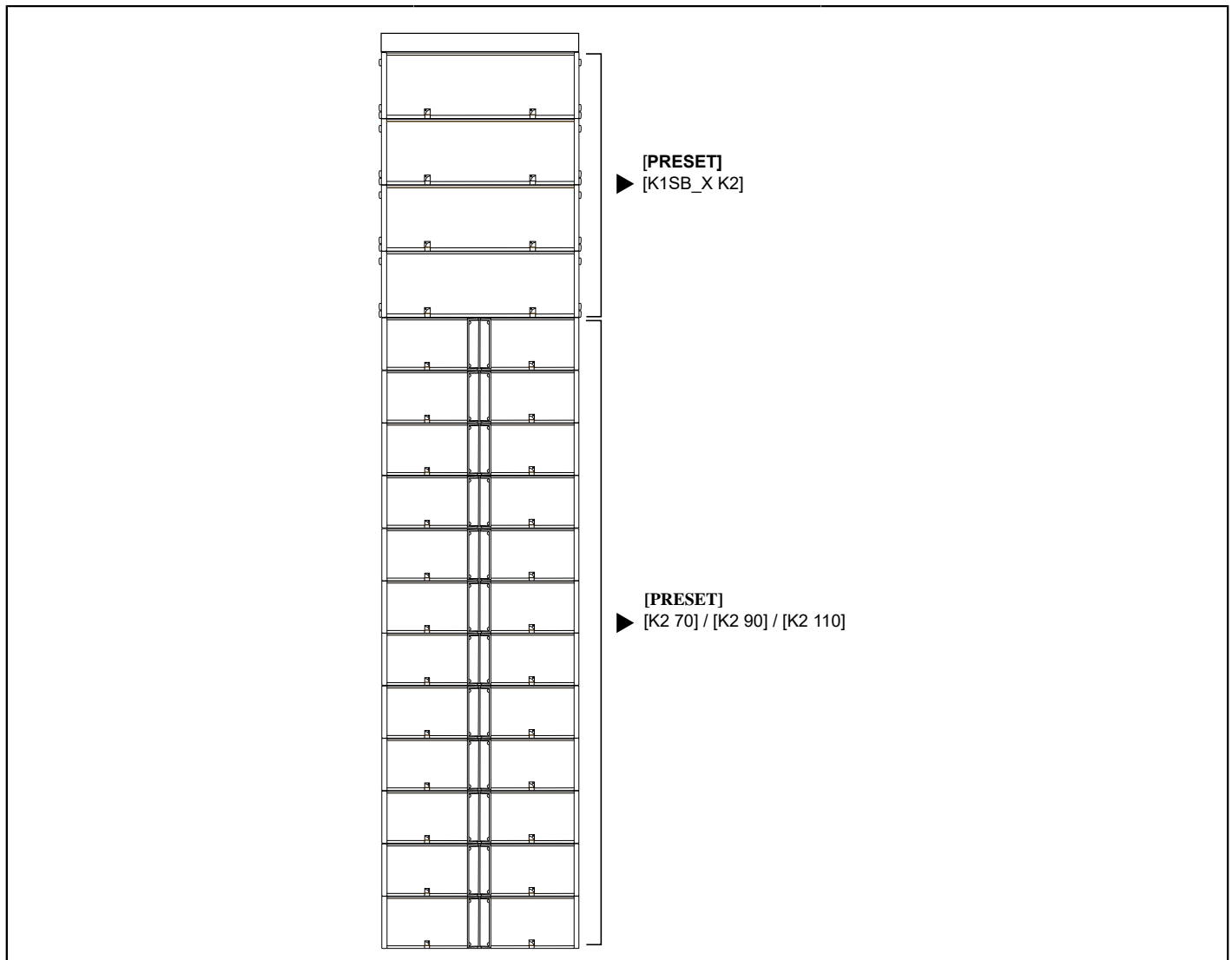
By providing the K1-SB with the same frequency response as the K2 low section, the [K1SB\_X K2] preset allows the K1-SB enclosure to be used as an LF line source element, increasing the length of the sub-low line source.

### Amplified controllers compatibility

	LA4X	LA12X
K2	✓	✓
K1-SB	-	✓

### Standalone K2 line source

Enclosure	K2
Preset	[K2 70] [K2 90] [K2 110]
Frequency range (-10 dB)	35 Hz - 20 kHz

**K2/K1-SB line source**

Enclosure	K2	K1-SB
Preset	[K2 70] [K2 90] [K2 110]	[K1SB_X K2]
Frequency range (-10 dB)	35 Hz - 20 kHz	
Recommended ratio	3 K2 : 1 K1-SB	
Minimum line length	12 K2 + 4 K1-SB	

**!** When using [K2 70], [K2 90], or [K2 110] with [K1SB\_X K2], do not add any delay value between the K2 and K1-SB elements of a same line source.

## Additional subwoofer system

---

A K2 line source or a K2/K1-SB line source can be deployed with additional subwoofer enclosures to provide increased sub-low resources to demanding applications.

Two subwoofer systems are available:

- K1-SB for increased LF contour
- KS28 for infra extension

The recommended ratio is 3 K2 for 2 subwoofers, whether using K1-SB subwoofers only, KS28 subwoofers only, or a combination of both.

The [K1SB\_60] and [KS28\_60] presets provide the subwoofers with an upper frequency limit at 60 Hz for an optimal frequency coupling with the line source.

### Amplified controllers compatibility

	<b>LA4X</b>	<b>LA12X</b>
K2	✓	✓
K1-SB	-	✓
KS28	-	✓



## K1-SB

The K1-SB provides an extension of the bandwidth in the low end, down to 30 Hz. Depending on the deployment, LF rejection can be produced.

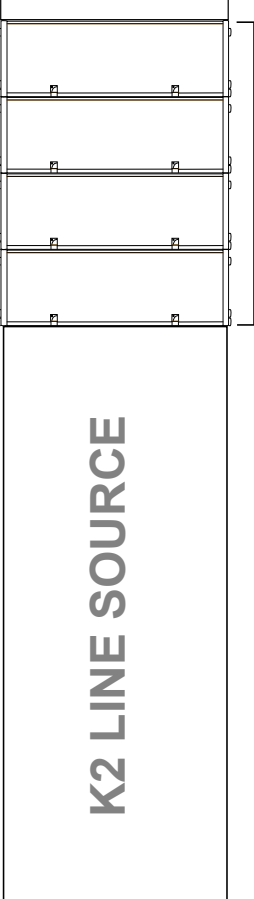
Three deployments are available in this configuration:

- K1-SB on top of the K2 line source
- K1-SB beside the K2 or K2/K1-SB line source : side LF rejection (polarized)
- K1-SB behind the K2 or K2/K1-SB line source : rear LF rejection (cardioid)

### Pre-alignment delays

presets	pre-alignment delay values and polarity settings	
[K2] + [K1SB_X K2]	K2 = 0 ms <input data-bbox="965 548 1013 604" type="button" value="+"/>	K1-SB = 0 ms <input data-bbox="1444 548 1492 604" type="button" value="+"/>
[K2] + [K1SB_60]	K2 = 6 ms <input data-bbox="965 638 1013 694" type="button" value="+"/>	K1-SB = 0 ms <input data-bbox="1444 638 1492 694" type="button" value="+"/>

### Line source with K1-SB on top

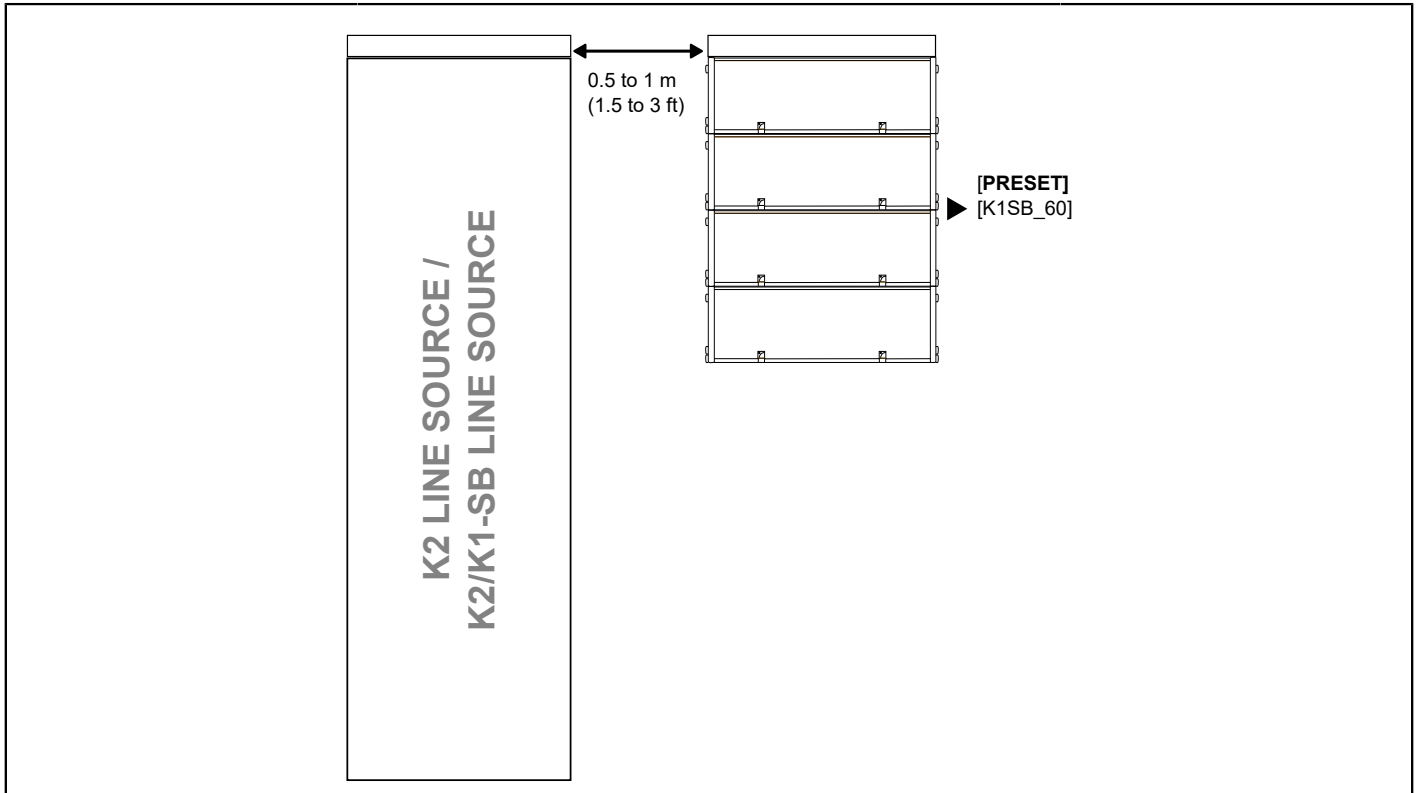
		
Enclosure	K2	K1-SB as subwoofer
Preset	[K2 70][K2 90][K2 110]	[K1SB_60]
Frequency range (-10 dB)	30 Hz - 20 kHz	
Recommended ratio	3 K2 : 2 subwoofers	
Maximum number line length	12 K2 + 8 K1-SB	



#### Delay values

Do not forget to add the pre-alignment and geometric delays depending on the configuration.

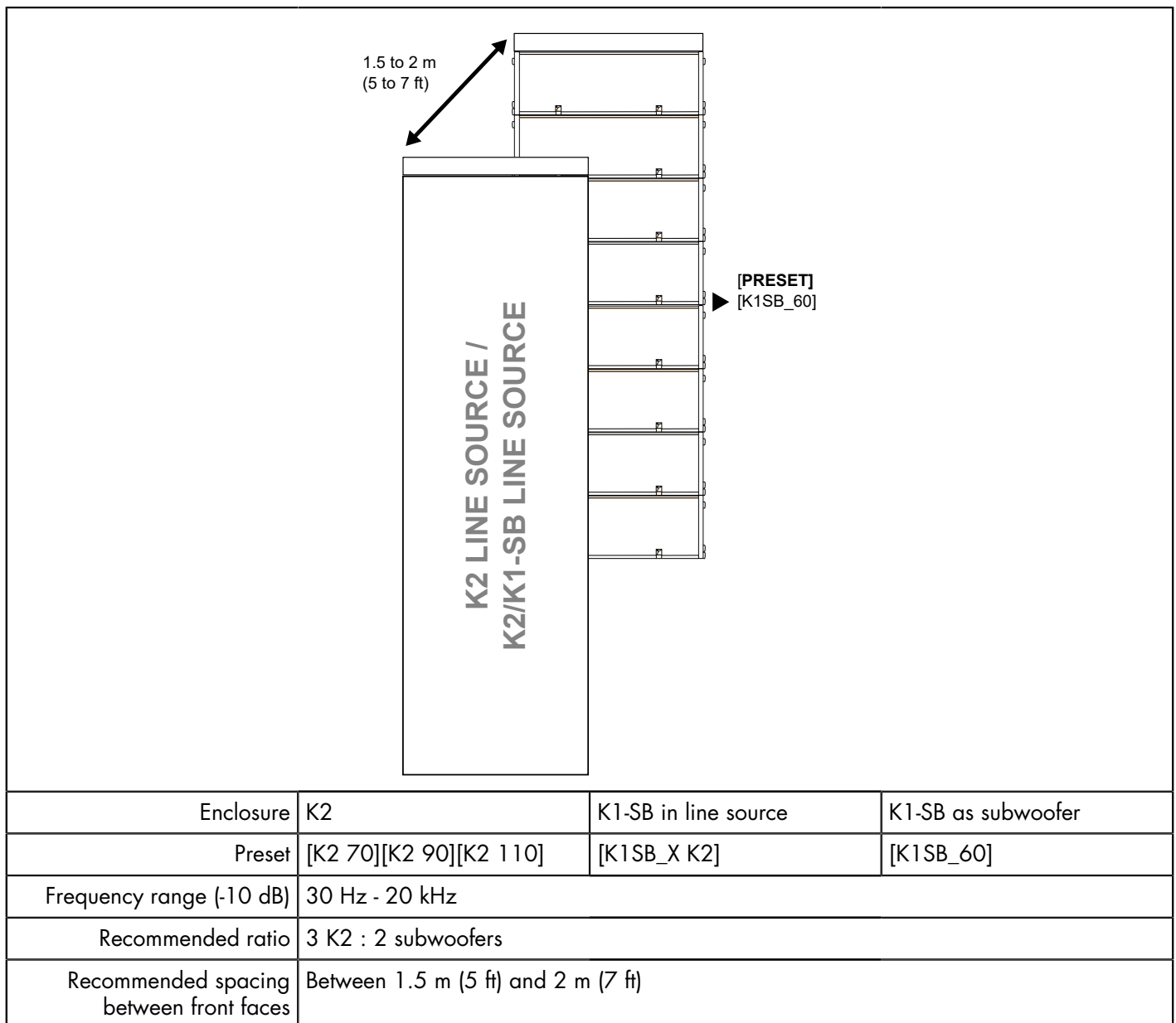
**Line source with K1-SB beside**



Enclosure	K2	K1-SB in line source	K1-SB as subwoofer
Preset	[K2 70][K2 90][K2 110]	[K1SB_X K2]	[K1SB_60]
Frequency range (-10 dB)	30 Hz - 20 kHz		
Recommended ratio	3 K2 : 2 subwoofers		
Recommended spacing between side panels	Between 0.5 m (1.5 ft) and 1 m (3 ft)		

- ! Delay values**  
Do not forget to add the pre-alignment and geometric delays depending on the configuration.
- !** When using [K2 70], [K2 90], or [K2 110] with [K1SB\_X K2], do not add any delay value between the K2 and K1-SB elements of a same line source.

## Line source with K1-SB behind



### ! Delay values

Do not forget to add the pre-alignment and geometric delays depending on the configuration.

! When using [K2 70], [K2 90], or [K2 110] with [K1SB\_X K2], do not add any delay value between the K2 and K1-SB elements of a same line source.

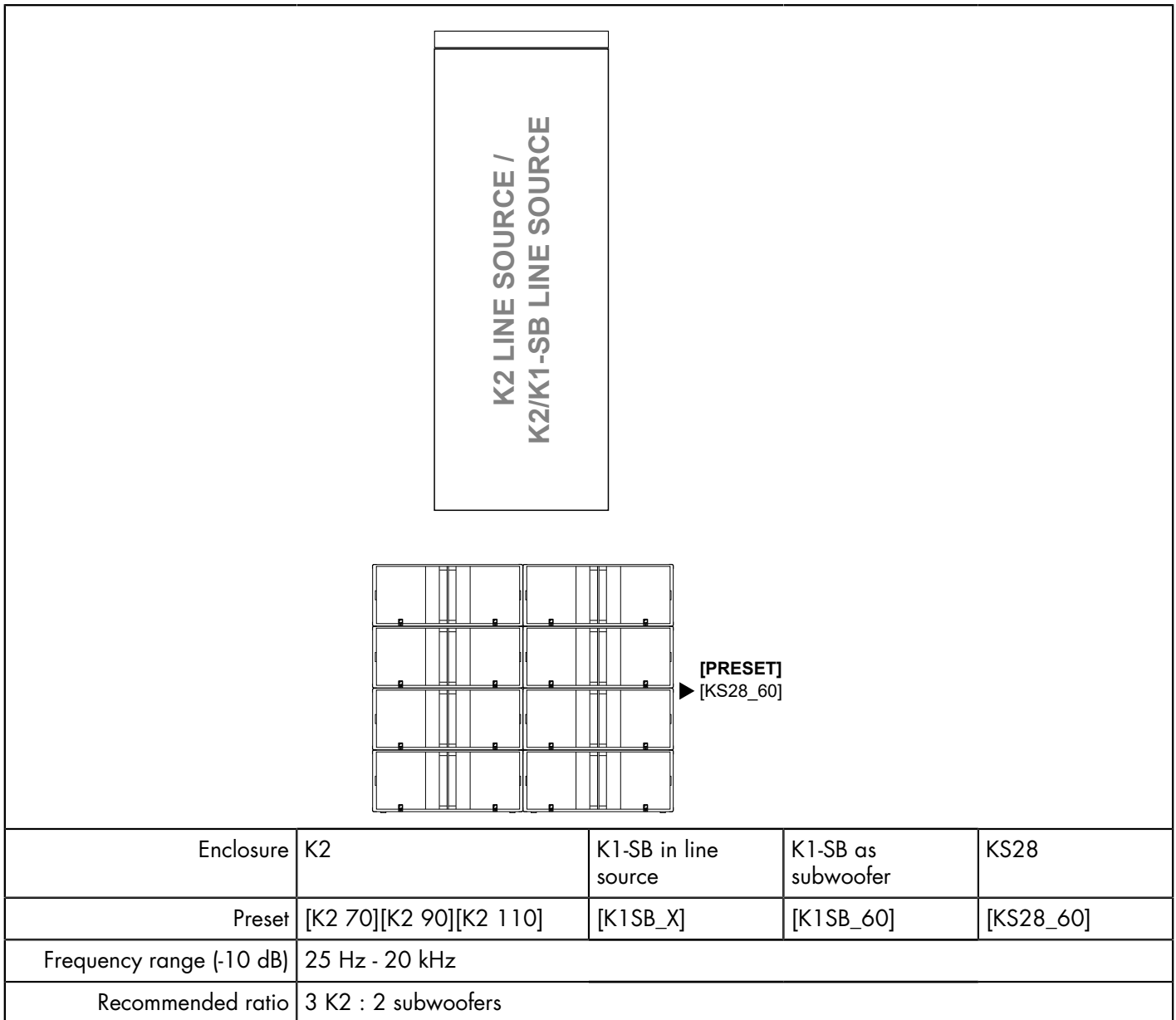
### Geometric delays

1.5 m (5 ft)	Line source = 4.5 ms
2 m (7 ft)	Line source = 6 ms

## KS28

The KS28 provides an extension of the bandwidth in the low end, down to 25 Hz.

### Line source with KS28



- ! Grouping subwoofers**  
Place the subwoofer enclosures side by side. If not possible, the maximum distance between two adjacent acoustic centers must be 2.8 m (9.2 ft) or 1.7 m (5.6 ft) if the upper frequency limit of the subwoofer system is at 60 Hz or 100 Hz, respectively.
- ! Use [xxxx\_xx\_C] or [xxxx\_xx\_Cx] on a reversed subwoofer in a cardioid configuration**  
The cardioid configuration consists in reversing 1 element in an array of 4 subwoofers.  
Refer to the subwoofer owner's manual and to the **Cardioid configurations** technical bulletin.
- ! Delay values**  
Do not forget to add the pre-alignment and geometric delays depending on the configuration.
- ! When using [K2 70], [K2 90], or [K2 110] with [K1SB\_X K2], do not add any delay value between the K2 and K1-SB elements of a same line source.**

**Pre-alignment delays****K2 + KS28**

presets	pre-alignment delay values and polarity settings			
[K2] + [KS28_60]	K2 = 0.5 ms	<input type="checkbox"/>	KS28 = 0 ms	<input type="checkbox"/>
[K2] + [KS28_60_C]	K2 = 6 ms	<input type="checkbox"/>	KS28 = 0 ms	<input type="checkbox"/>
[K2] + [KS28_60_Cx]	K2 = 4 ms	<input type="checkbox"/>	KS28 = 0 ms	<input type="checkbox"/>

**K2 + K1-SB + KS28**

presets	pre-alignment delay values and polarity settings					
[K2] + [K1SB_X K2] + [KS28_60]	K2 = 0 ms	<input type="checkbox"/>	K1-SB = 0 ms	<input type="checkbox"/>	KS28 = 0 ms	<input type="checkbox"/>
[K2] + [K1SB_X K2] + [KS28_60_C]	K2 = 5.5 ms	<input type="checkbox"/>	K1-SB = 5.5 ms	<input type="checkbox"/>	KS28 = 0 ms	<input type="checkbox"/>
[K2] + [K1SB_X K2] + [KS28_60_Cx]	K2 = 3.5 ms	<input type="checkbox"/>	K1-SB = 3.5 ms	<input type="checkbox"/>	KS28 = 0 ms	<input type="checkbox"/>
[K2] + [K1SB_60] + [KS28_60]	K2 = 6 ms	<input type="checkbox"/>	K1-SB = 0 ms	<input type="checkbox"/>	KS28 = 6 ms	<input type="checkbox"/>
[K2] + [K1SB_60] + [KS28_60_C]	K2 = 6 ms	<input type="checkbox"/>	K1-SB = 0 ms	<input type="checkbox"/>	KS28 = 0.5 ms	<input type="checkbox"/>
[K2] + [K1SB_60] + [KS28_60_Cx]	K2 = 6 ms	<input type="checkbox"/>	K1-SB = 0 ms	<input type="checkbox"/>	KS28 = 4 ms	<input type="checkbox"/>

## Additional downfill element

All K2 system configurations can be combined with an additional Kara II line source downfill system. This allows an extension of the vertical coverage to the closer audience.

### Kara II

The [KARAIIDOWNK2 70], [KARAIIDOWNK2 90], and [KARAIIDOWNK2] presets feature specific settings to optimize the acoustic coupling between the Kara II and K2 line sources. Each preset is dedicated to a horizontal directivity setting.

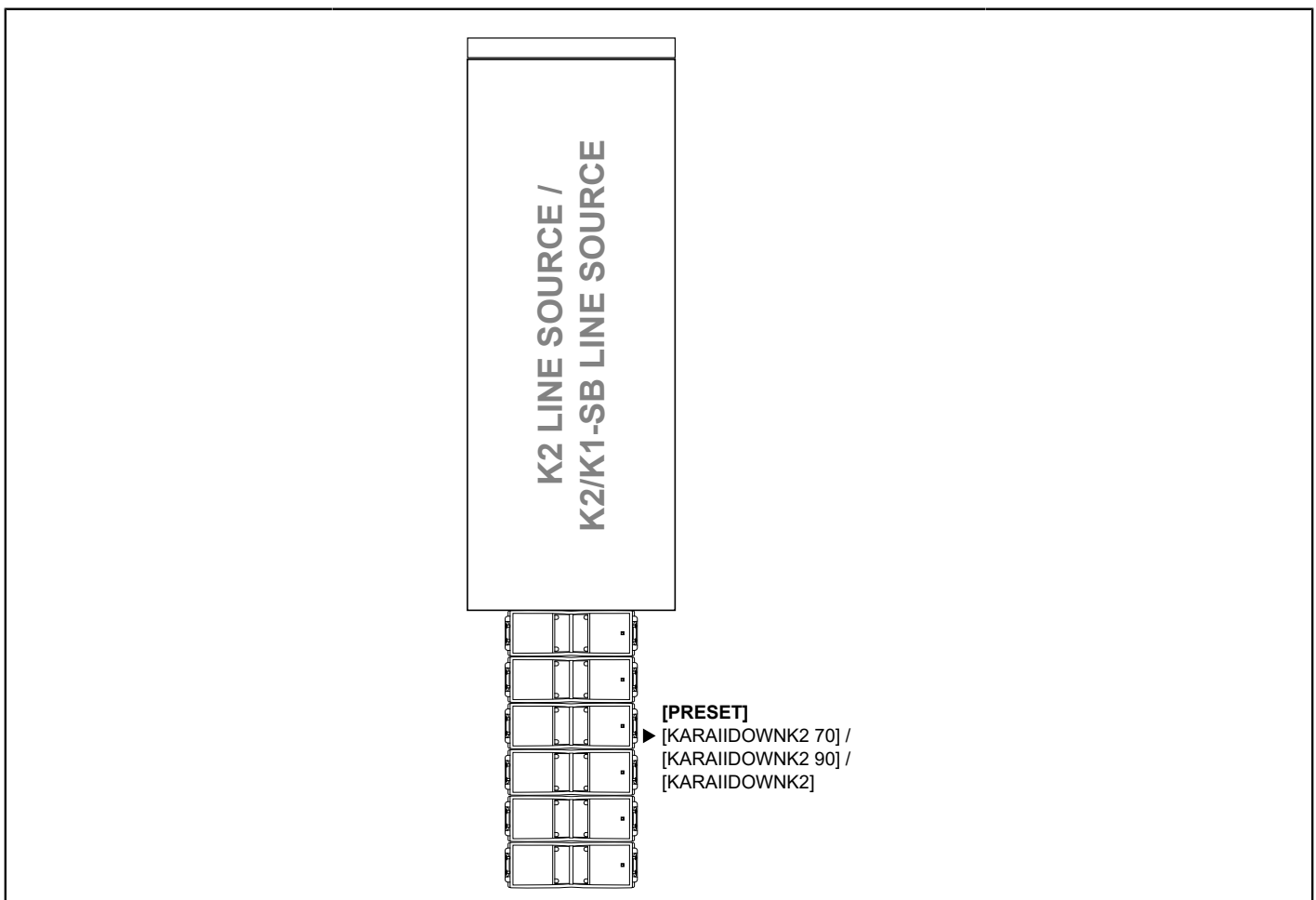
**!** The [KARAIIDOWNK2] preset is optimized for a **110°** fins setting on Kara II.

**i** **Fins settings for downfill**

In most venues, the 110° fins settings must be used for downfills.


In case there is a raised area in front of the scene, such as a catwalk, the 70° or 90° settings can be used to divert SPL from this area.

The Kara II enclosure is driven by the LA4X / LA12X amplified controller.



Enclosure	K2	K1-SB in line source	Kara II
Preset	[K2 70] [K2 90] [K2 110]	[K1SB_X K2]	[KARAIIDOWNK2 70] [KARAIIDOWNK2 90] [KARAIIDOWNK2]
Frequency range (-10 dB)	35 Hz - 20 kHz		
Kara II array	Up to 6 Kara II enclosures		

**!** Do not add any delay between the K2 and Kara II elements of a mixed line source.

 When using [K2 70], [K2 90], or [K2 110] with [K1SB\_X K2], do not add any delay value between the K2 and K1-SB elements of a same line source.

 **Using the Kara II system**  
Refer to the **Kara II owner's manual** for the operating modes of Kara II as a main system.

# Inspection and preventive maintenance

## How to do preventive maintenance

---

Inspect the system before any deployment and after any corrective maintenance operation.

Perform preventive maintenance at least once a year.

### Rigging and hardware

Perform the [Rigging part inspection](#) (p.43) on each rigging part.

Use the [Mechanical system overview](#) (p.43) to identify critical parts of the system and apply the specific checks described in the [Inspection references](#) (p.49).

Do the [Rigging check](#) (p.54) and [Adjustable fins check](#) (p.57).

If any parts are damaged, contact your L-Acoustics representative for further instructions.

### Acoustics

Perform the [Enclosure check](#) (p.59).

Perform the [Listening test](#) (p.61) to detect any degradation in sound quality.

If necessary, refer to the [Corrective maintenance](#) (p.131) section for speaker repair kits and maintenance instructions.



## Rigging part inspection

---

### About this task

For critical rigging parts, use the [Inspection references](#) (p.49) for comparison and specific manipulations.

The term "rigging part" comprises:

- lifting accessories such as clamps and shackles
- rigging accessories such as rigging frames, rigging interfaces, and brackets
- fasteners used for assembling two products together such as ball-locking pins, rigging axes, and safety pins
- rigging elements integrated in the product such as rigging arms and rails
- transportation accessories

This inspection procedure covers only L-Acoustics products. To inspect other products that are part of the lifting chain, refer to the manufacturer's instructions.

### Prerequisite

Perform the inspection in a well-lit environment.

### Procedure

1. Check that the rigging part is present.
2. If applicable, disassemble the rigging part from the enclosure or the rigging accessory.

Check that the tethers are intact and safely secured.

3. Inspect the part from every side.

Compare with the **reference pictures**.

Check for:

- corrosion
- wear and cracks
- bends and dents
- holes
- missing safety cues
- missing identification labels
- missing or loose fasteners



#### Replacing screws

If a screw is loose, remove and replace it.

Always use the new screws provided in the repair kit.

If no new screw is available, add blue threadlocker before reusing the screw.

Do not apply more than the indicated torque.

4. Check the **geometry** of the part to identify critical deformations.

Place the rigging part on a flat surface or hold a level against it.

5. Check the **moving parts**.

Make sure that the mechanism engages correctly.

### What to do next



If a problem is detected, perform the authorized maintenance operations or contact your L-Acoustics representative.

## Mechanical system overview

---

Critical parts of the lifting chains are highlighted.



The  indicates a visual inspection. The  indicates a functional check.



**!** Perform the [Rigging part inspection](#) (p.43) on critical parts.  
For each part, refer to the [Inspection references](#) (p.49).

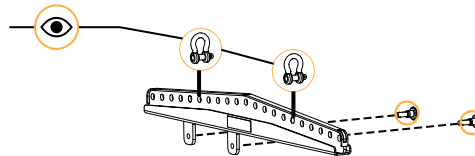
**!** **Replacing screws**

If a screw is loose, remove and replace it.  
Always use the new screws provided in the repair kit.  
If no new screw is available, add blue threadlocker before reusing the screw.  
Do not apply more than the indicated torque.

## K2 mixed array with K2-BAR, K2-BUMP, K1-SB, and K2-LINK

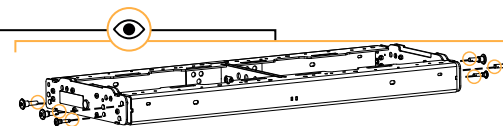
Refer to [Inspection references](#) (p.49).

[Shackles](#) (p.52)



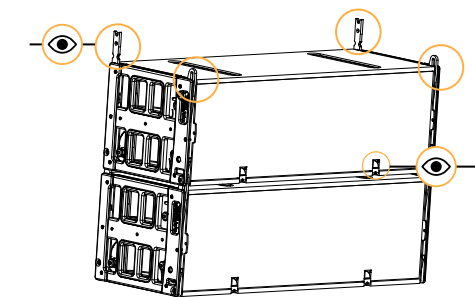
[Ball-locking pins](#) (p.49)

[Ball-locking pins](#) (p.49)

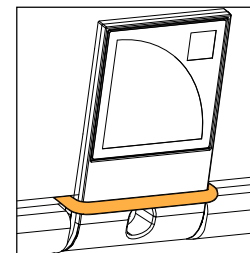


Rear and front rigging arms rotate correctly

[Ball-locking pins](#) (p.49)

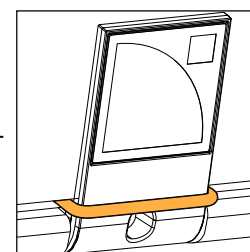
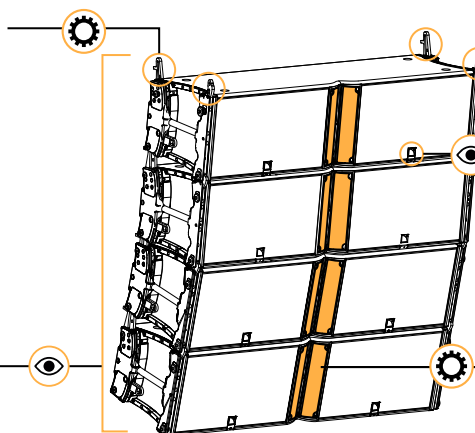


[Grill safety](#) (p.53)



[Ball-locking pins](#) (p.49)

[Rigging check](#) (p.54)



[Grill safety](#) (p.53)

[Ball-locking pins](#) (p.49)

[Adjustable fins check](#) (p.57)

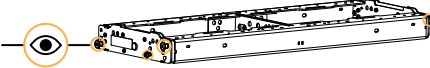
# K2 array with K2-BUMP and KARADOWNK2

Refer to [Inspection references](#) (p.49).

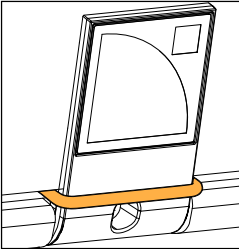
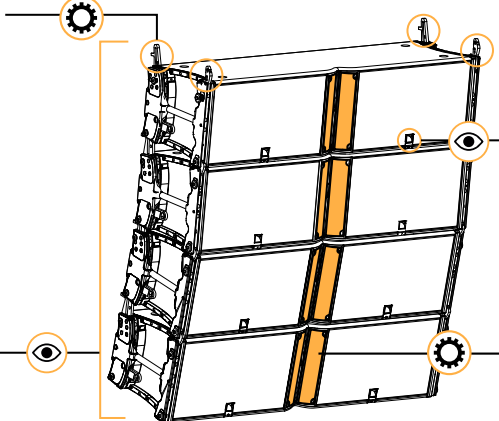


Shackles (p.52)

Ball-locking pins (p.49)



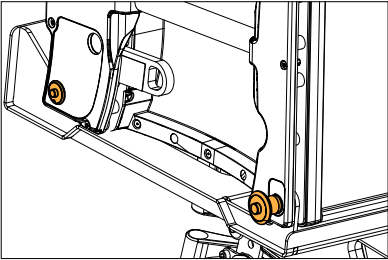
Rigging check (p.54)



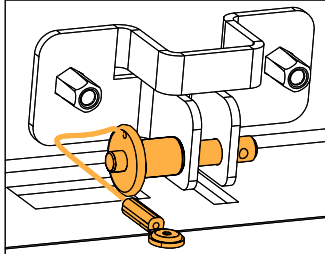
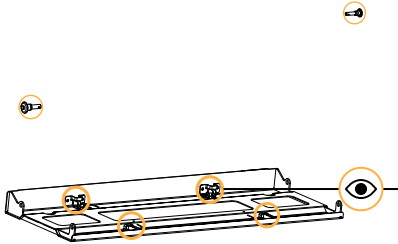
Grill safety (p.53)

Adjustable fins check (p.57)

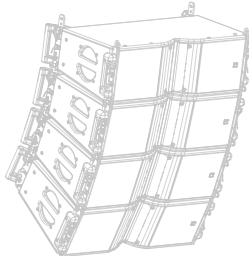
Ball-locking pins (p.49)



Ball-locking pins (p.49)



Refer to the **Kara II owner's manual**.



## K2 array with K2-CHARIOT and K2-JACK

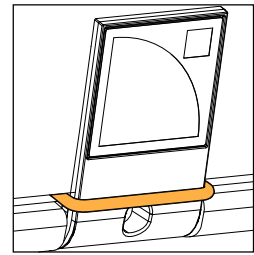
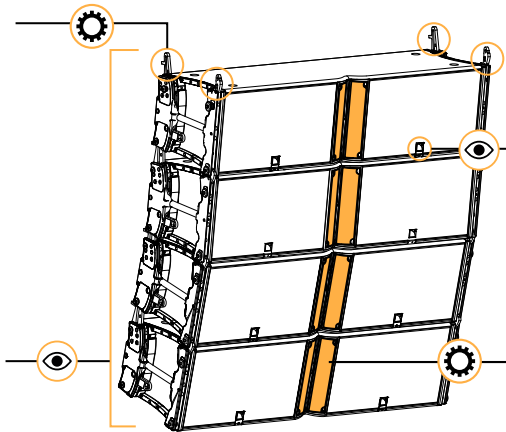
Refer to [Inspection references](#) (p.49).

[Rigging check](#) (p.54)

[Ball-locking pins](#) (p.49)

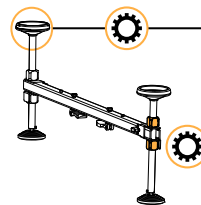
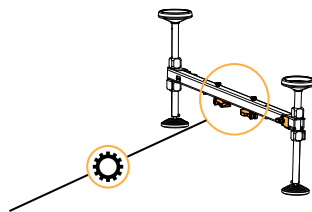
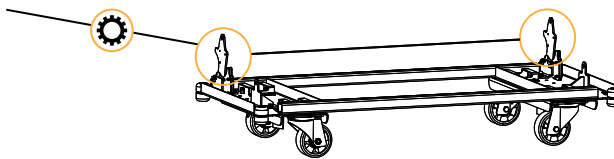
rear rigging arms rotate correctly

the locking handles can be tightened and loosened by hand



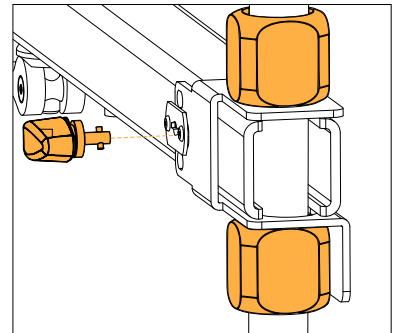
[Grill safety](#) (p.53)

[Adjustable fins check](#) (p.57)



turn the hand wheels:  
the central part is raised  
(clockwise) or lowered  
(counter-clockwise)

check the integrity of the  
quarter-turn locking system

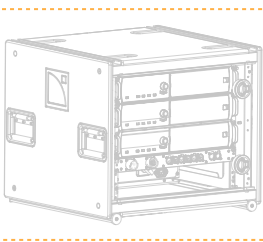
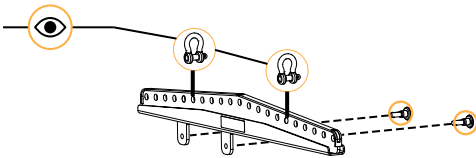


# K2 array with K2-BAR, K2-RAKMOUNT, and K2-BUMP

Refer to [Inspection references](#) (p.49).

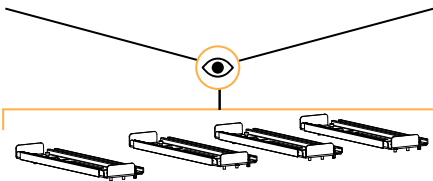
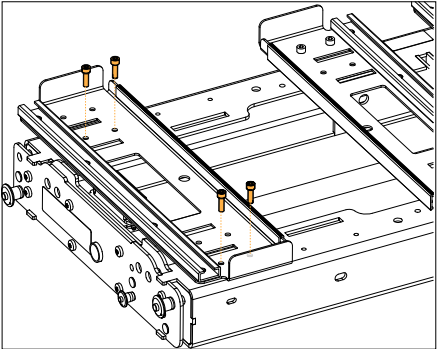


Shackles (p.52)

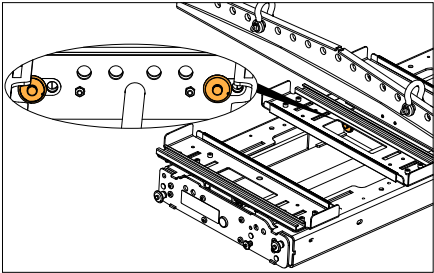


Refer to the **LA-RAK II documentation** for more information.

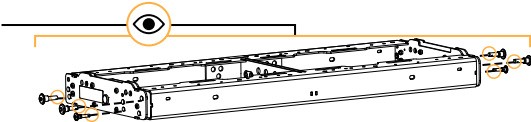
screws are tightened



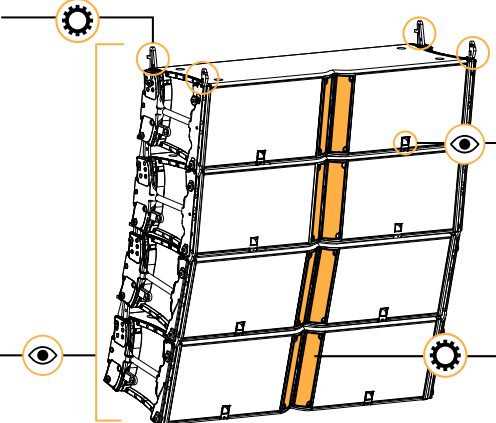
Ball-locking pins (p.49)



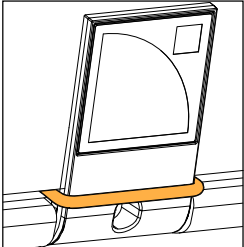
Ball-locking pins (p.49)



Rigging check (p.54)



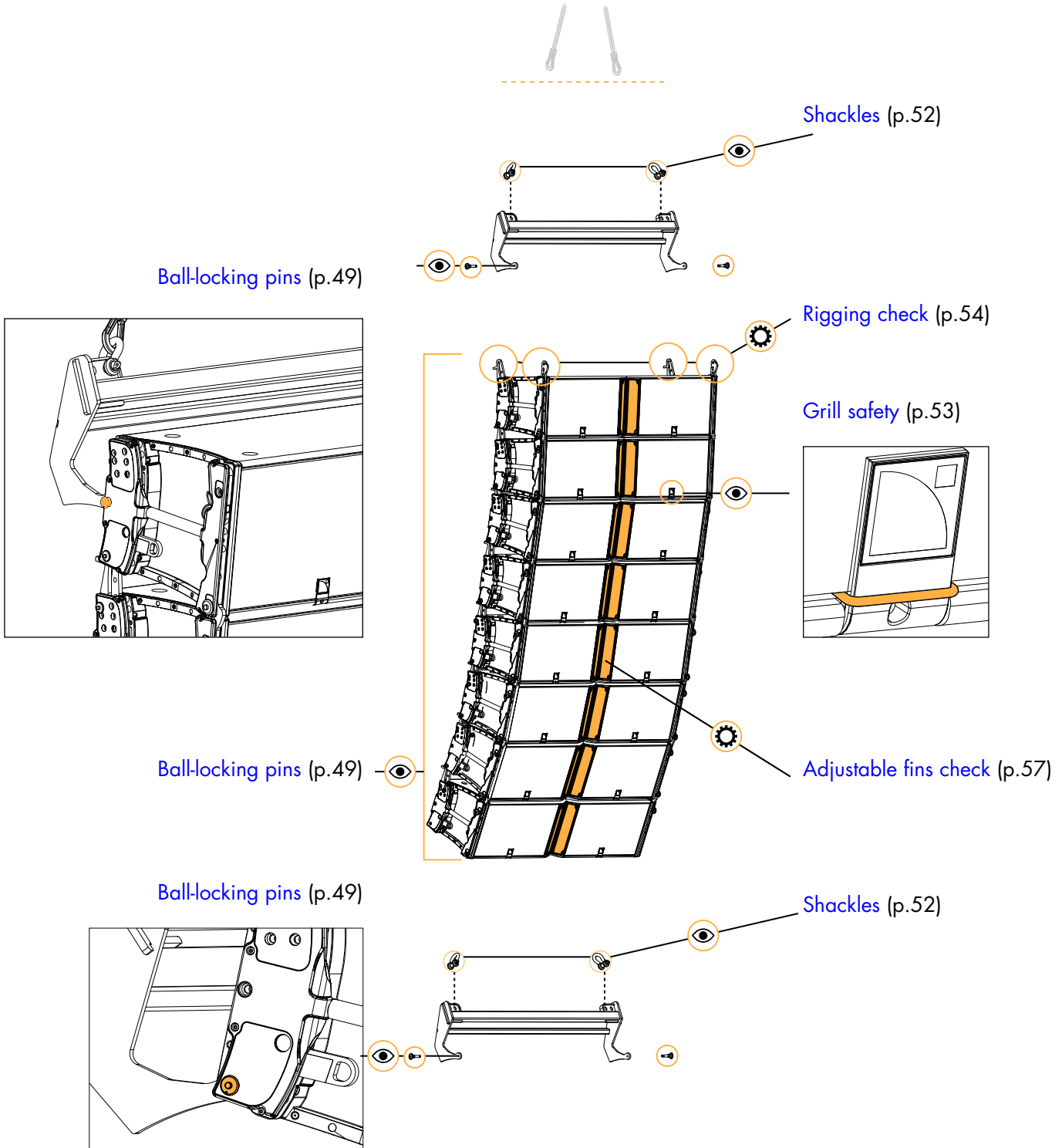
Ball-locking pins (p.49)



Grill safety (p.53)

Adjustable fins check (p.57)

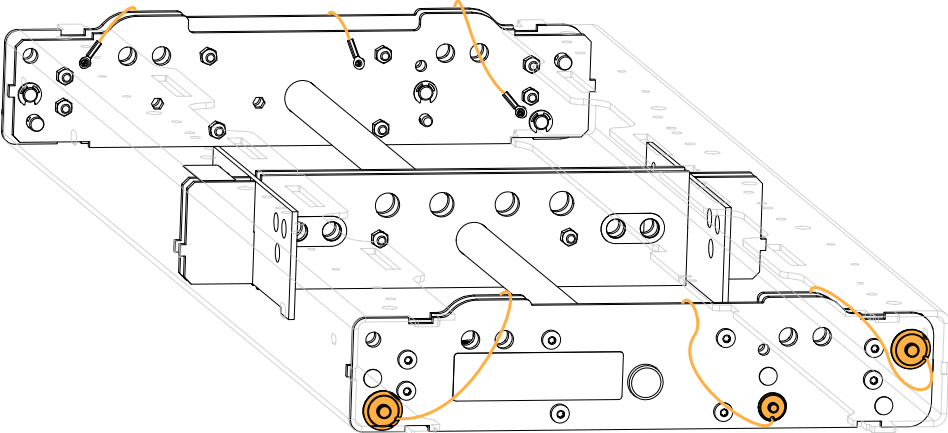
## K2 array with K2-RIGBAR as pullback



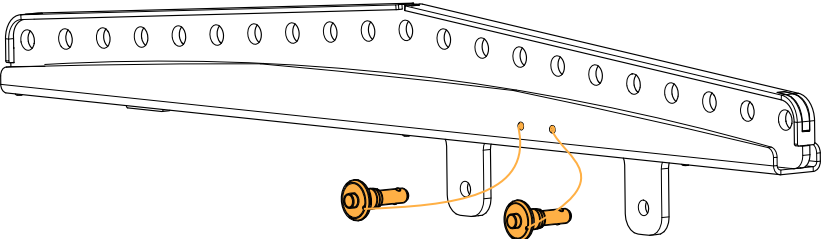
# Inspection references

## Ball-locking pins

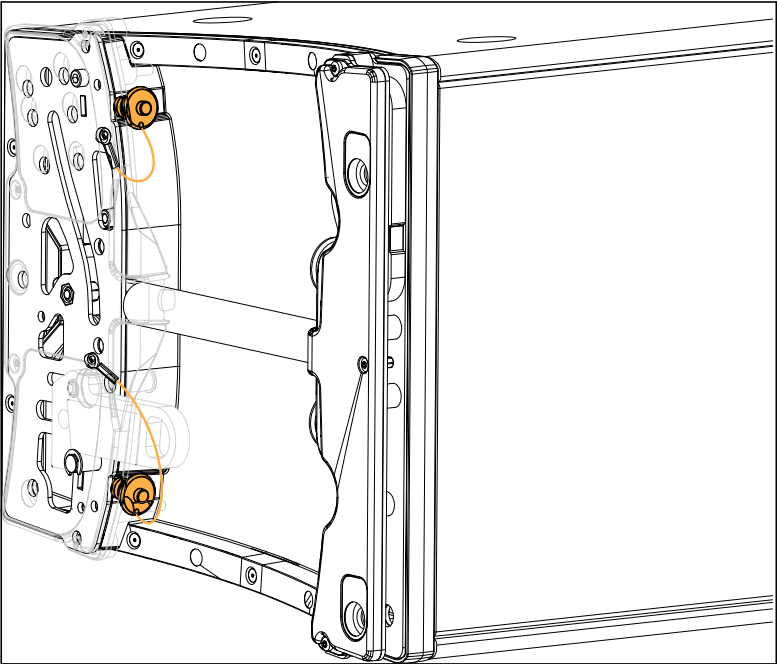
### Reference pictures



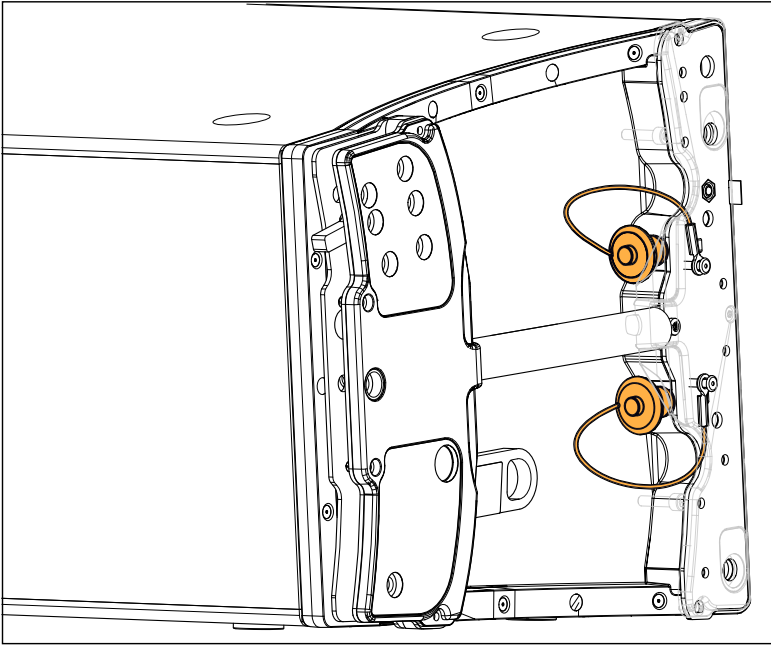
tether (K2-BUMP)



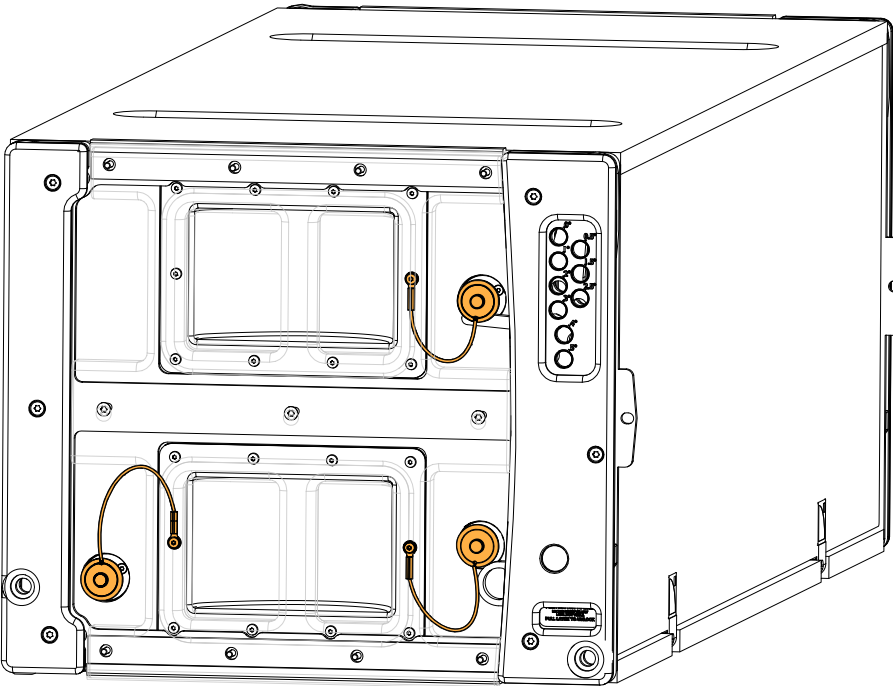
tether (K2-BAR)



tether (K2)



tether (K2)

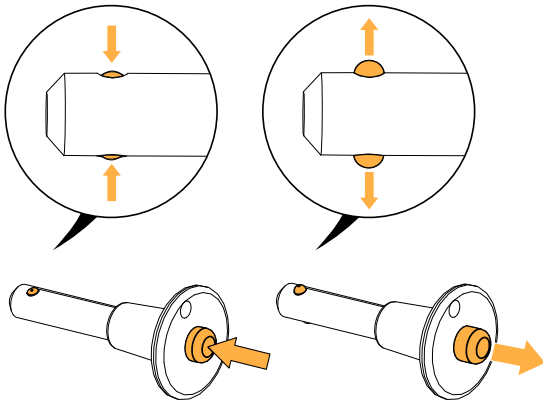


tether (K1-SB)

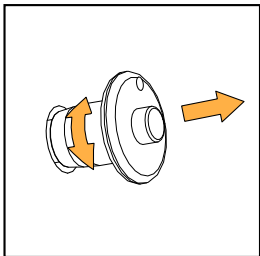


## Moving parts

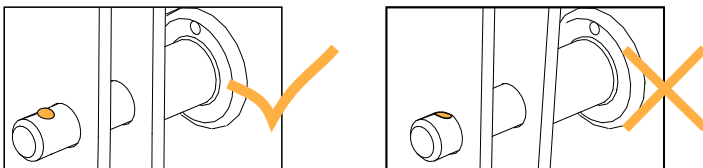
1. Press the push button. The ball-locking mechanism is retracted.
2. Release the button. The ball-locking mechanism is activated.



3. Insert the pin in each storage and rigging hole. Pull and rotate the pin. The pin must remain inside the hole.



If the pin is inserted in two plates, the ball must pass through both plates and lock the pin in place.



If the check fails, **immediately withdraw the product from use and contact L-Acoustics.**

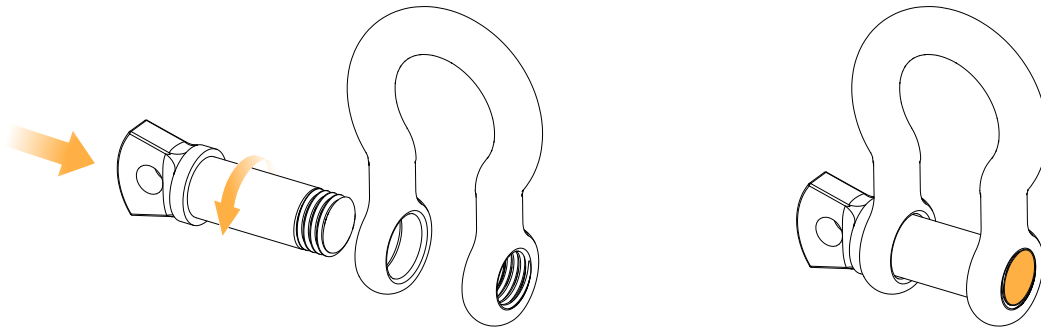
## Related tasks

[Rigging part inspection](#) (p.43)

## Shackles

### Moving parts

Drive the shackle axis in its lodging. Make sure that the end is flush with the shackle.



### Related tasks

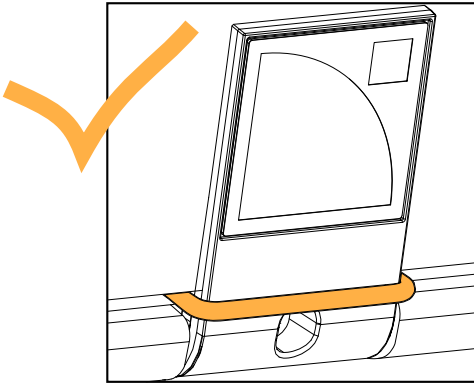
[Rigging part inspection \(p.43\)](#)

## Grill safety

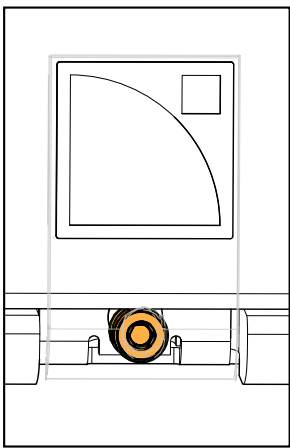
### Moving parts

Visually inspect the grill safety.

Make sure that the O-rings are not damaged.

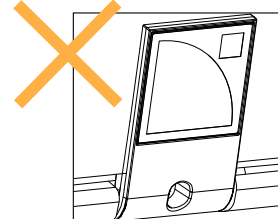
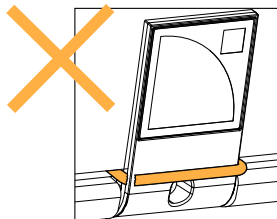
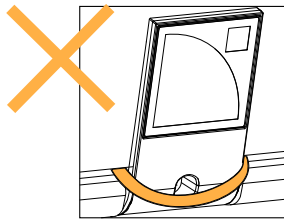
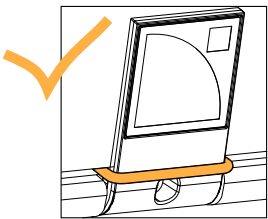


Make sure that the screw is tightened.



Pull on the O-rings:

- Make sure they do not break.
- Make sure they are not loose.



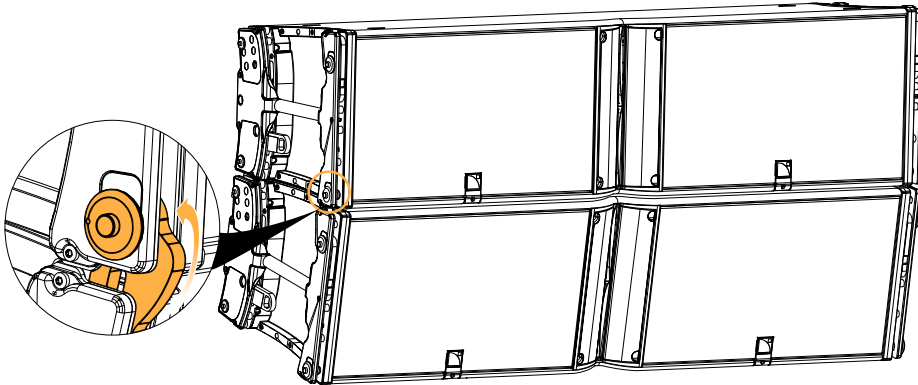
If the O-rings are damaged or missing, refer to the **D/R - Grill (p.134)** to replace them.

## Mechanical checks

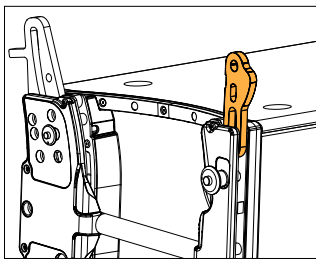
### Rigging check

#### Procedure

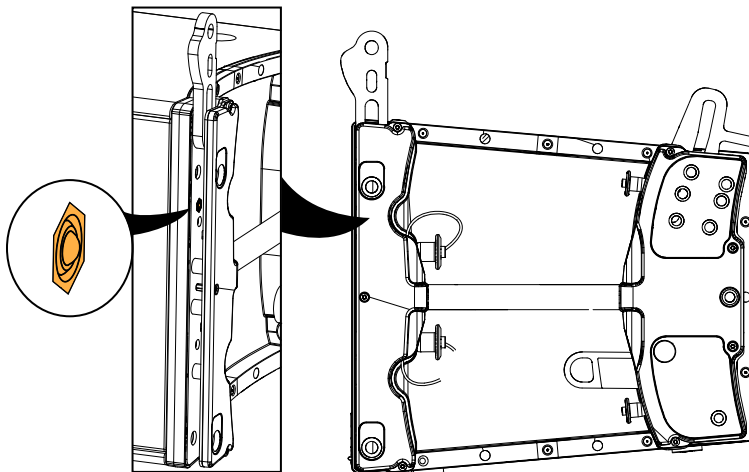
1. Position one K2 on the first one.
2. Secure the front rigging arms at the LINK holes.



- The front rigging arms can be deployed with some resistance, and rotate correctly.

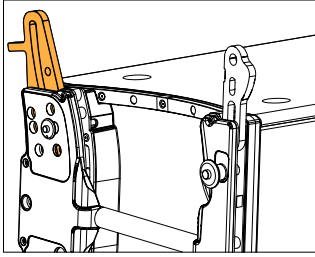


- The ball-type plunger protrudes out the rigging system.

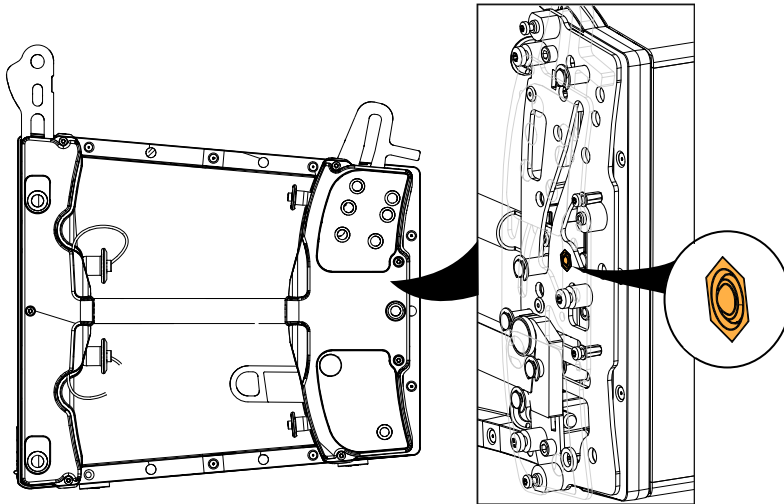


**3.** Secure the rear rigging arms at the LINK holes.

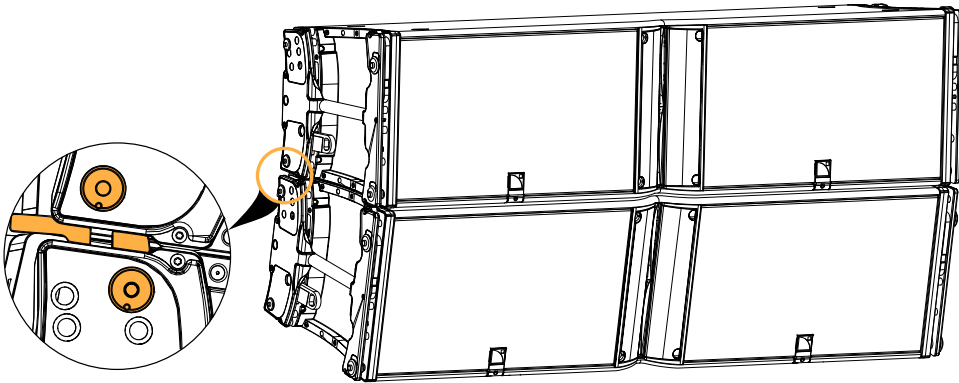
- The rear rigging arms can be deployed with some resistance, and slide correctly.



- The ball-type plunger protrudes out the rigging system.

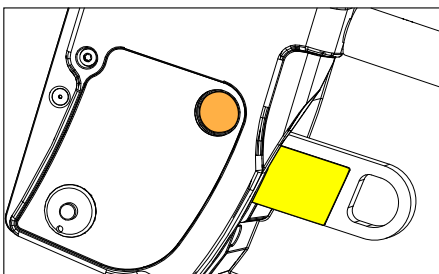


**4.** Secure the rear rigging arms at one of the inter-enclosure holes.



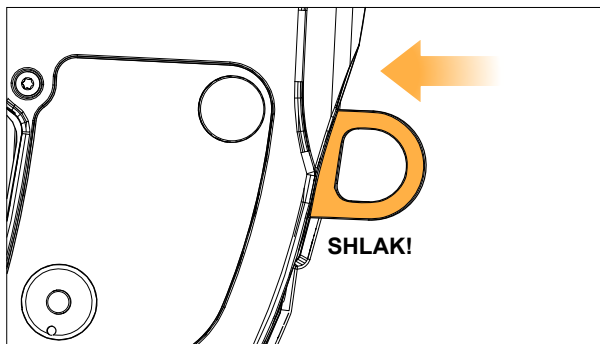
**5.** Press the button to activate the automatic locking system.

- The latch slightly retracts when the button is pushed (yellow label visible).

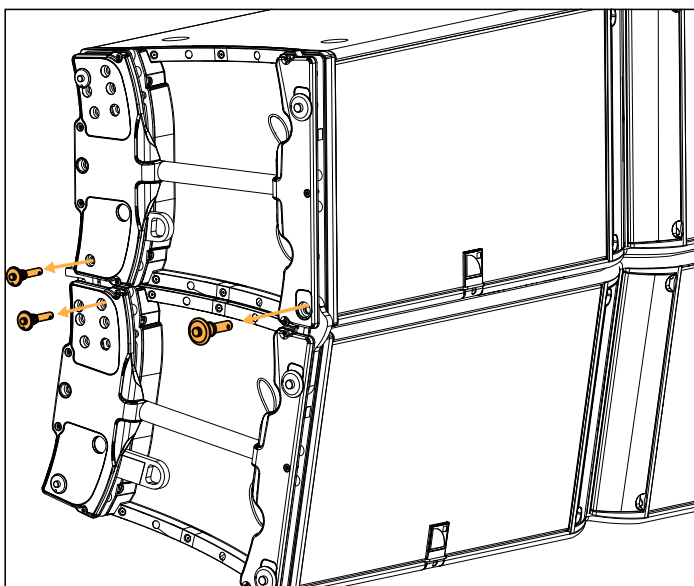


**6.** Hold and lift the array to lock the inter-enclosure angles.

- The two enclosures remain attached.
- The automatic locking system button locks and the latches engage (no yellow label visible).



**7.** Disassemble the two enclosures.



**Risk of trapping fingers**

When disassembling the enclosures, hold the top one by the handles.

**8.** Repeat the procedure with the other enclosures.

## Adjustable fins check

### Prerequisite

Disassemble the array and place K2 on a flat surface.

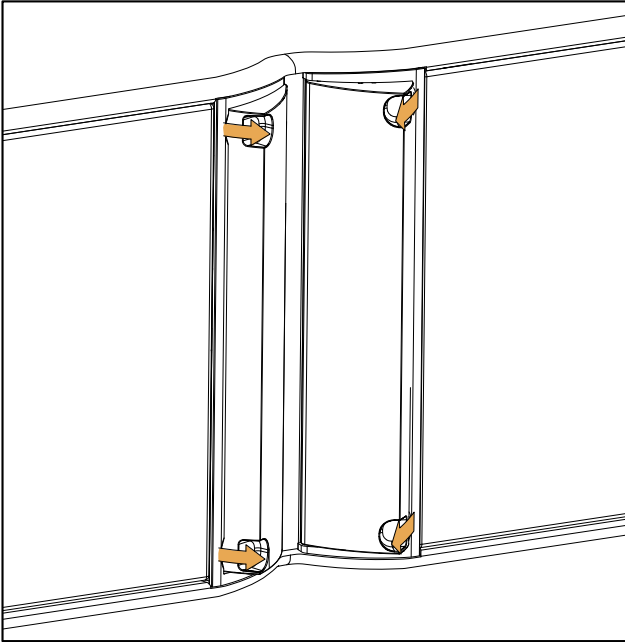
### Procedure



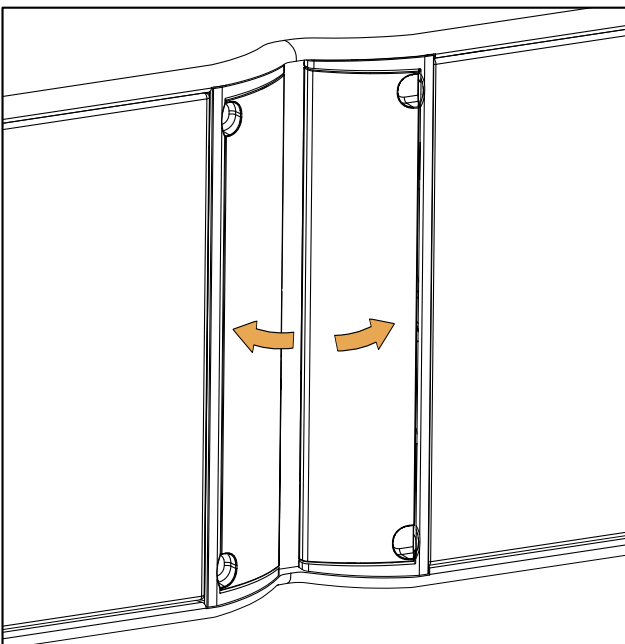
#### Risk of breaking the fin hooks

Do not use excessive force when deploying the fins.

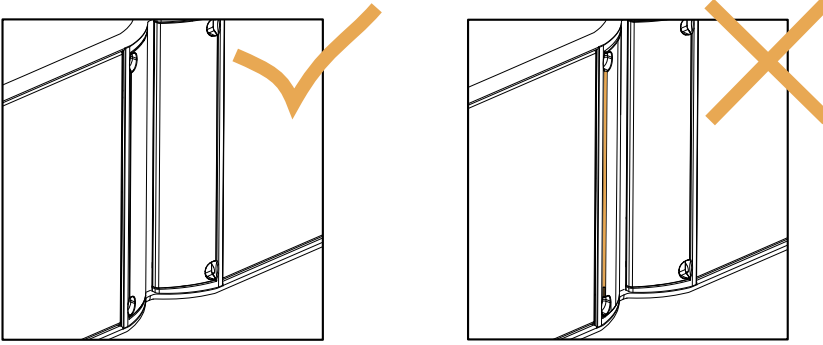
1. Deploy both fins by pulling them by the notches until the stop.



- The fins can be deployed without applying excessive force.
  - The inside of the fins and the hooks are not visible.
2. Apply light pressure on the fins.
    - The fins remain deployed under light pressure.
  3. Retract the fins by pushing firmly or tapping on them.



- The fins can be retracted without applying excessive force.
- The fins remain fully retracted, and the side of the fins is not visible.



4. Repeat the procedure with the other enclosures.
5. When rigging and flying K2, check that the fins do not move because of gravity or wind pressure.

**What to do next**

Fins that do not pass the check must be replaced. Contact your L-Acoustics representative for repair instructions.




## Acoustical check

---

### Enclosure check

-  **This feature is available on:**  
 LA4X  
 LA12X

ENCLOSURE CHECK measures impedance at the reference frequencies for the connected loudspeaker family. The measured impedance is compared to the expected range allowing for fast detection of loudspeakers presenting circuit continuity issues.

-  The results can be used for preliminary diagnosis but cannot replace a comprehensive quality control.

### Prerequisite

-  **ENCLOSURE CHECK measurements can only be reliable if the following requirements are met:**

Environment and temperature:

- Ambient temperature must be comprised between 0 °C / 32 °F and 40 °C / 104 °F. Ideal temperature is 20 °C / 68 °F.
- Enclosures must be at room temperature. If warm from a recent high level use or recently moved from a cold environment, let the loudspeakers reach room temperature before starting.

Enclosures:

- Enclosures must be included in the embedded factory preset library.
- Enclosures must be in nominal operating conditions:
  - Remove covers or dollies obstructing the loudspeakers or the vents.
  - Check for obvious physical damage or air leak: visually inspect the grill, gasket, cabinet, and connector plate for loose, missing or damaged parts.

Connection:

- Use only 10 m / 30 ft 4 mm<sup>2</sup> / AWG 11 speaker cables.
- Do not connect enclosures in parallel.

Amplified controllers:

- LA4X must run at least firmware version 1.1.0.
- LA4X load sensors must be calibrated. Refer to the **Load Sensor Calibration Tool** technical bulletin for more information.
- LA4X must warm up for at least 10 minutes after power up. Do not power off, reboot or switch to standby mode to avoid resetting the countdown.
- Load a preset corresponding to the connected loudspeaker's family. Presets from the user memories may be used on condition they are made of presets supported in the embedded factory preset library.

### Procedure

1. Power up the amplified controller. Let LA4X warm up for at least 10 minutes.
2. Connect the loudspeaker enclosures to the amplified controller.
3. Load a preset from or built from the embedded library corresponding to the connected loudspeaker family.
4. On the amplified controller, use the encoder wheel to select **MONITORING & INFO**. Press the OK key or the encoder wheel to validate.
5. Use the encoder wheel to select **ENCLOSURE CHECK**.



#### **Beware of sound levels.**

Although the sound pressure levels generated for the ENCLOSURE CHECK are moderate, do not stay within close proximity of the loudspeakers and consider wearing ear protection.

6. Press the OK key or the encoder wheel to launch the ENCLOSURE CHECK.

The amplified controller generates short sinusoidal signals simultaneously for each connected output.

The amplified controller displays the results for each output.

**7.** Depending on the displayed results, follow the instructions in the table.

<b>result</b>	<b>interpretation</b>	<b>instructions</b>
OK	measured impedance is within expected range	enclosure is in working order electrically
?	unsupported preset family	only supported enclosures should be tested
NC	Not Connected	if cables are connected: <b>a.</b> inspect the cables and connections <b>b.</b> go to step 8 (p.60)
NOK	measured impedance is not within expected range	<b>a.</b> check that all the prerequisites are met, in particular that the loaded preset corresponds to the connected speaker's family <b>b.</b> inspect the cables and connections <b>c.</b> go to step 8 (p.60)
UNDEF	measured impedance is undefined	

**8.** Under NC, NOK and UNDEF results, press and hold the corresponding OUT key.

The amplified controller displays:

- the tested frequencies,
- information on the measured impedance:
  - OPEN for open circuit (found in NC results),
  - SHORT for short circuit (found in NOK results), or
  - a percentage of variation from the expected range (found in NOK and UNDEF results)
- the number of operational transducers out of the total

 Low variations from the expected range are acceptable: displayed percentage can be different from 0 and all transducers considered operational.

## Listening test

enclosure	preset	usable bandwidth
K2	[K2 70]	35 Hz - 20 kHz
K1-SB	[K1 SB_60]	30 Hz - 80 Hz

### Procedure

1. Load the preset on an LA4X / LA12X amplified controller.
2. Connect a sinus generator to the amplified controller.



#### **Risk of hearing damage**

Set a low sound level to start and use ear protection to adjust before testing.

3. Scan the bandwidth focusing on the usable range.  
The sound should remain pure and free of unwanted noise.

### Troubleshooting for LF speakers

One or more LF speaker produces distorted, buzzing, rubbing, clicking, muffled or weak sound.

#### Possible causes

- The screws are not tightened with the appropriate torque.
- There is an air leak in the gasket.
- There is dust on the cone.
- The cone is damaged.
- The surround is torn or delaminated.
- The voice coil or the spider is damaged.

### Procedure

1. Perform the speaker disassembly procedure.
2. Visually inspect the cables and the connectors.
3. Visually inspect the speaker cone, the voice coil and the spider.

If any damage is visible, replace the speaker.

4. Carefully clean the speaker with a dry cloth.
5. Perform the reassembly procedure.  
Replace the speaker gasket and the screws.  
Apply the recommended torque.

6. Repeat the listening test.

If the problem persists, replace the speaker.

### Troubleshooting for HF drivers

One or more HF driver produces high-frequency harmonic distortions, strange vibrations or weak sound.

#### Possible causes

- There are foreign particles on the air gap.
- The diaphragm is not centered correctly.
- The screws used for reassembly are too loose.
- The diaphragm is damaged.

### Procedure

1. Perform the diaphragm disassembly procedure.
2. Visually inspect the diaphragm and the voice coil.

If any damage is visible, replace the diaphragm.

- 3.** Clean the air gap thoroughly.  
Use double-face adhesive tape to remove any particles.
- 4.** Perform the diaphragm reassembly procedure.  
Apply the recommended torque.
- 5.** Repeat the listening test.  
If the problem persists, replace the driver.

# Rigging procedures

## System setup

---

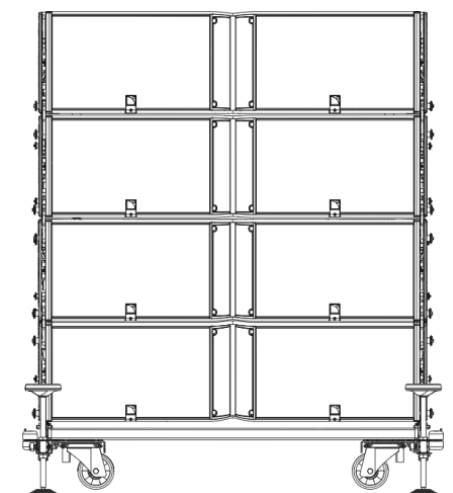
### Ground stacking

#### K2 enclosures on K2-CHARIOT and K2-JACK



#### Final check

After the setup, always verify no yellow labels are visible on the front and on both sides of the array.



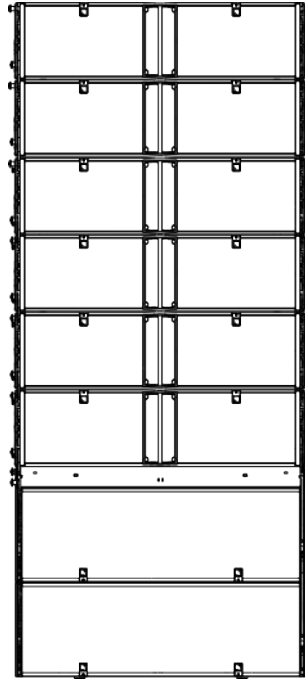
#### Procedure

1. Place a block of four K2 enclosures at the final position.
2. Preset the inter-enclosures angles.
3. Attach the K2-JACK stabilizers to the K2-CHARIOT.
4. If needed, add one or two K2 enclosures to the stack.
5. Preset the inter-enclosure angles for the additional enclosures.
6. Push the topmost enclosure forward until all the automatic locks are in place and verify that there is no yellow label visible.
7. If necessary, change the position of the K2-CHARIOT rear rigging arm.
8. If necessary, fine-tune the site angle of the stack by adjusting the height of the stabilizers feet.

#### References

- [A - Preparing a block of 4 K2 \(p.71\).](#)
- [B - Preset the inter-enclosure angles \(p.75\)](#)
- [C - Attaching K2-JACK stabilizers to K2-CHARIOT \(p.77\).](#)
- [A - Preparing a block of 4 K2 \(p.71\).](#)
- [B - Preset the inter-enclosure angles \(p.75\)](#)
- [D - Changing the position of the K2-CHARIOT rear rigging arm \(p.82\)](#)
- [E - Adjusting the K2-CHARIOT site angle \(p.85\)](#)

## K2 enclosures on K1-SB



### Procedure

1. Stack as many K1-SB enclosures as necessary.
2. Position and attach a K2-BUMP on the K1-SB stack.
3. Position and attach an upside down K2 on the K2-BUMP and add as many K2 enclosures on top of the first one.

### References

#### K1 rigging manual

[L - Attaching K1 or K1-SB under K2-BUMP](#)  
(p.115)

[C - Attaching K2-JACK stabilizers to K2-CHARIOT](#) (p.77)

## Flying



### Final check

After the setup, always verify no yellow labels are visible on the front and on both sides of the array.

### At least one motor for each K2-BAR

When using two K2-BAR, do not implement a bridle between the bars.

### Nobody behind the array when lifting enclosures

To avoid collisions caused by the swinging motion, do not stand behind the array when lifting the enclosures.

### Safe maximum of 12 K2 enclosures in a pullback configuration

Up to 12 K2.

### Space between pullback rigging points

The space between the two lifting points used for this configuration must be aligned with the array pickup points. The deployment load-bearing lines must be parallel to each other.



### Before setup, choose a flying option

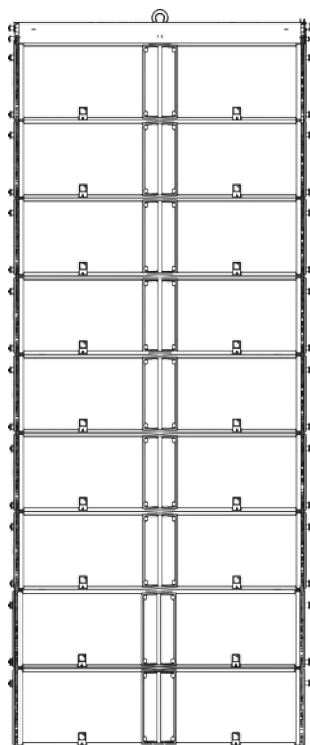
Refer to SOUNDVISION modeling and to the elements for flying in [Rigging system description](#) (p.20).

### To implement a pullback with a K2-BAR:



in **front extension** attach the shackle to **hole #1**.

in **rear extension** attach the shackle to **hole #21**.

## K2 enclosures under K2-BUMP



## Procedure

1. Prepare all the blocks of 4 K2 necessary to build the array.
  2. Preset the inter-enclosures angles.
  3. Place and open a K-BUMPFLIGHT under the motor.
  4. If necessary, attach one or two K2-BAR to the K2-BUMP.
  5. If necessary, stack one or two LA-RAK / LA-RAK II on the K2-BUMP.
    - Place K2-BUMP to the ground.
    - Stack the LA-RAK / LA-RAK II on the K2-BUMP.
    - Raise the K2-BUMP.
  6. Prepare the pickup points.
  7. Lift the assembly so you can position a block of four K2 under it.
  8. Attach the block of four K2 to the K2-BUMP.
  9. Lift the assembly so you can position a block of four K2 under it.
-  Verify that no yellow label is visible on both sides of the array.
10. Attach the block of four K2 enclosures to the bottom of the array.
-  Verify that the rear rigging arms are secured by pins and that no yellow label is visible on the front.
11. Repeat the two previous steps until the array is complete.
  12. If necessary, implement a pullback with K2-RIGBAR.
  13. Raise the array to its final trim height.
  14. Adjust site and azimuth angles.

## References

[A - Preparing a block of 4 K2 \(p.71\)](#)

[B - Preset the inter-enclosure angles \(p.75\)](#)

[G - Attaching K2-BAR to K2-BUMP \(p.91\)](#)

[M - Mounting LA-RAK/LA-RAK II on K2-BUMP \(p.117\)](#)

Refer to **Soundvision** for the number and position of the shackles.

[H - Attaching a block of four K2 under K2-BUMP \(p.94\)](#)

[J - Attaching a block of four K2 under K2 \(p.102\)](#)

[N - Using a K2-RIGBAR to implement a pullback \(p.122\)](#)



## K2 enclosures under K2-RIGBAR

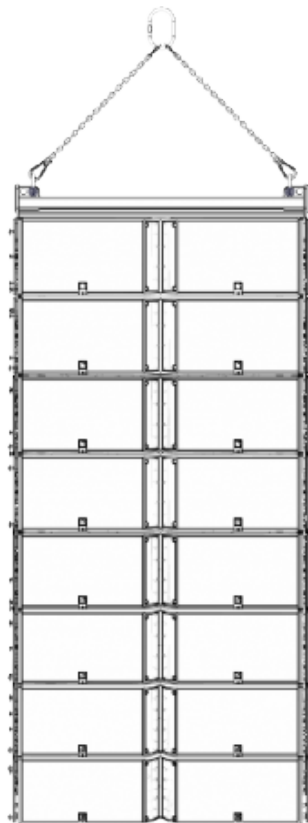
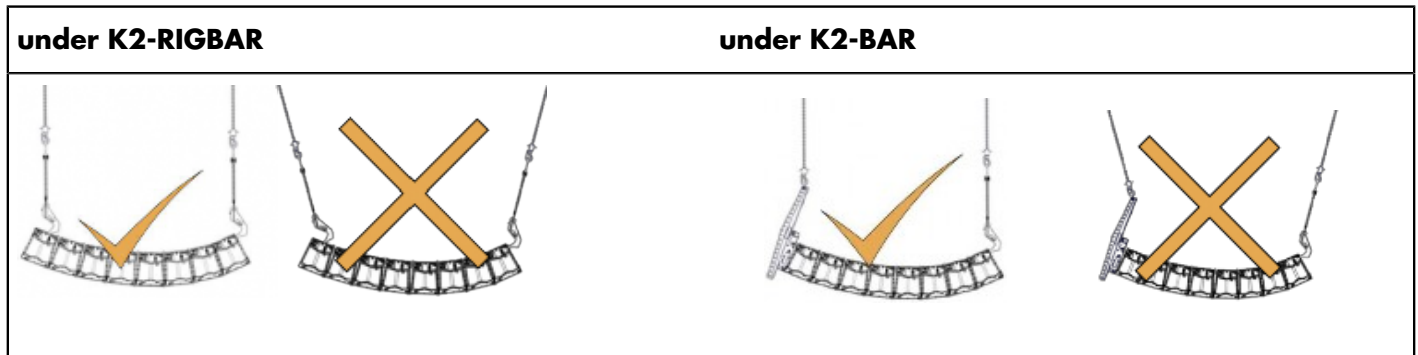


### Final check

After the setup, always verify no yellow labels are visible on the front and on both sides of the array.

### Space between pullback rigging points

The space between the two lifting points used for this configuration must be aligned with the array pickup points.  
The deployment load-bearing lines must be parallel to each other.



## Procedure

1. Prepare all the blocks of 4 K2 necessary to build the array.
2. Preset the inter-enclosures angles.
3. Attach the K2-RIGBAR on the block of four K2.
4. Lift the array so you can position another block of four K2 under it.



Verify that no yellow label is visible on both sides of the array.

## References

[A - Preparing a block of 4 K2 \(p.71\)](#)

[B - Preset the inter-enclosure angles \(p.75\)](#)

[I - Attaching a block of four K2 under K2-RIGBAR \(p.99\)](#)

## Procedure

5. Position and attach a block of four K2 enclosures under the array.



Verify that the rigging arms at the back are secured by pins and that no yellow label is visible on the front.

6. Repeat the two previous steps until the array is complete.

7. If necessary, implement a pullback with K2-RIGBAR.

8. Raise the array to its final trim height.

## References

[J - Attaching a block of four K2 under K2 \(p.102\)](#)

[N - Using a K2-RIGBAR to implement a pullback \(p.122\)](#)

## K2 enclosures under K1 elements



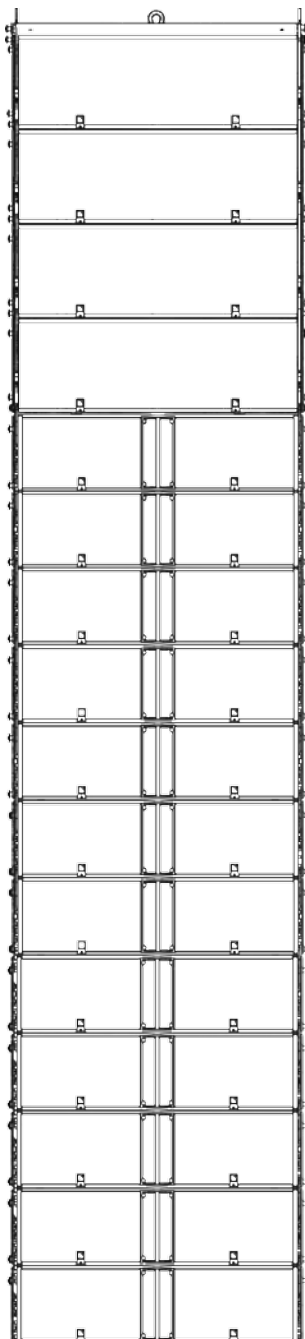
### Final check

After the setup, always verify no yellow labels are visible on the front and on both sides of the array. When using two K2-BAR, do not implement a bridle between the bars. Always use at least two motors.



### Before setup, choose a flying option

Refer to Soundvision modeling and to the elements for ground-stacking in [Rigging system description](#) (p.20).



## K1-SB array setup

### Procedure

1. Refer to your Soundvision model to define which frame to use.
2. If you are using the K1-BUMP, refer to the **K1 rigging manual** to set up the K1-SB part of the array.
3. If you are using the K2-BUMP, place an open K-BUMPFLIGHT under the motor.
4. If necessary, attach one or two K2-BAR to the K2-BUMP.
5. If necessary, stack one or two LA-RAK / LA-RAK II on the K2-BUMP.
  - Place K2-BUMP to the ground.
  - Stack the LA-RAK / LA-RAK II on the K2-BUMP.
  - Raise the K2-BUMP.
6. Prepare the pickup points.
7. Lift the assembly so you can position a block of K1-SB under it.
8. Attach the K1-SB block to the K2-BUMP.
9. Repeat the last two steps until the K1-SB array is complete.

## K2 array setup

### Procedure

1. Prepare all the blocks of 4 K2 necessary to build the array.
2. Preset the inter-enclosures angles.

## K1-SB and K2 arrays connection

### Procedure

1. Lift the K1-SB array so you can position a block of four K2 under it.
2. Using two K2-LINK interfaces, attach the block of K2 under the K1-SB array.



Verify that the rear rigging arms are secured by pins and that no yellow label is visible on the front.

3. Lift the array so you can position a block of four K2 under it.



Verify that no yellow label is visible on both sides of the array.

4. Attach the block of four K2 to the bottom enclosure of the array.



Verify that the rear rigging arms are secured by pins and that no yellow label is visible on the front.

5. Repeat the last two steps until the array is complete.
6. Raise the array to its final trim height.
7. Adjust site and azimuth angles.

### References

[G - Attaching K2-BAR to K2-BUMP \(p.91\)](#)

[M - Mounting LA-RAK/LA-RAK II on K2-BUMP \(p.117\)](#)

Refer to **Soundvision** for the number and position of the shackles.

[L - Attaching K1 or K1-SB under K2-BUMP \(p.115\)](#)

### References

[A - Preparing a block of 4 K2 \(p.71\)](#)

[B - Preset the inter-enclosure angles \(p.75\)](#)

### References

[K - Attaching a block of four K2 under a K1 system element \(p.108\)](#)

[J - Attaching a block of four K2 under K2 \(p.102\)](#)

## Subset procedures

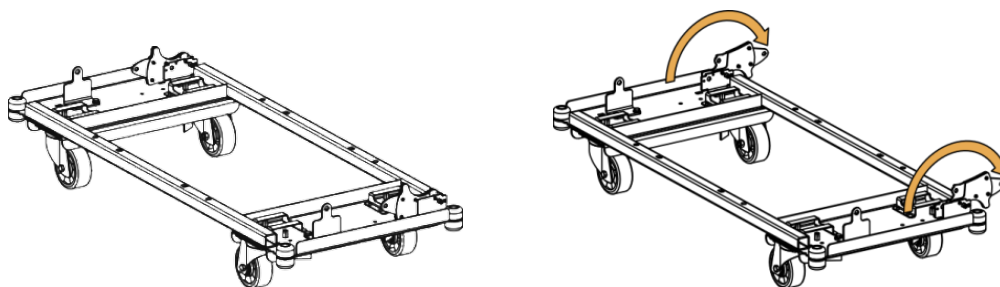
---

### A - Preparing a block of 4 K2

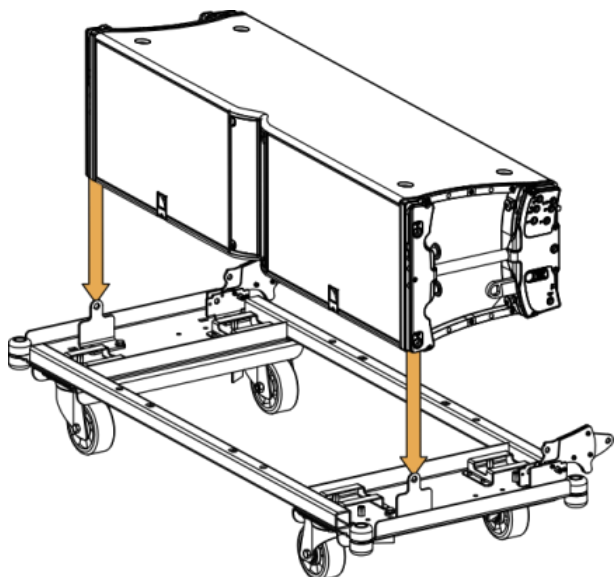
<b>min number of operators</b>	2
--------------------------------	---

#### Procedure

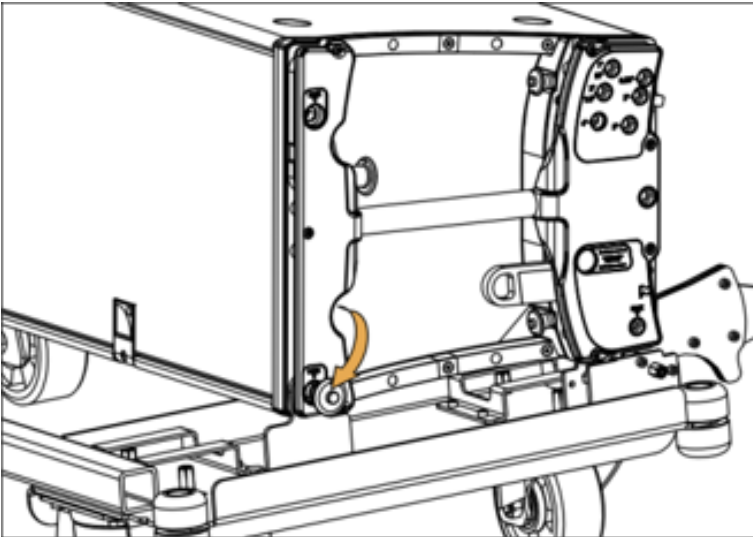
1. Attach K2 on K2-CHARIOT.  
Fully rotate the rear rigging arms of K2-CHARIOT and attach a first K2.



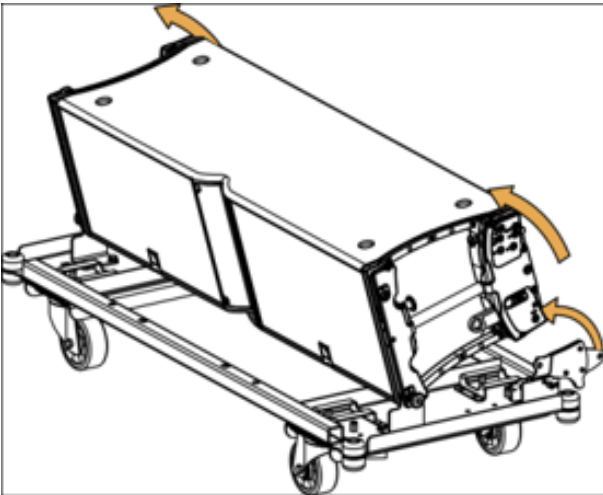
2. Position K2 on the K2-CHARIOT dolly.



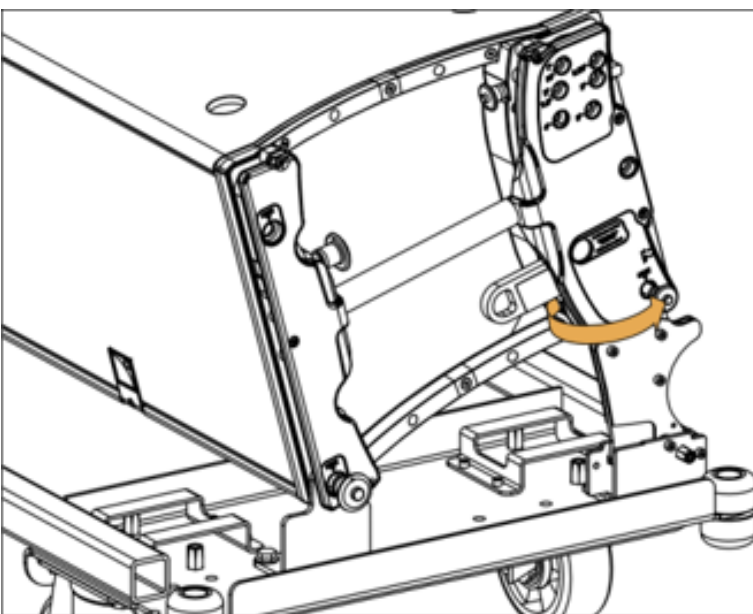
3. Secure the enclosure at the front using the LINK hole.



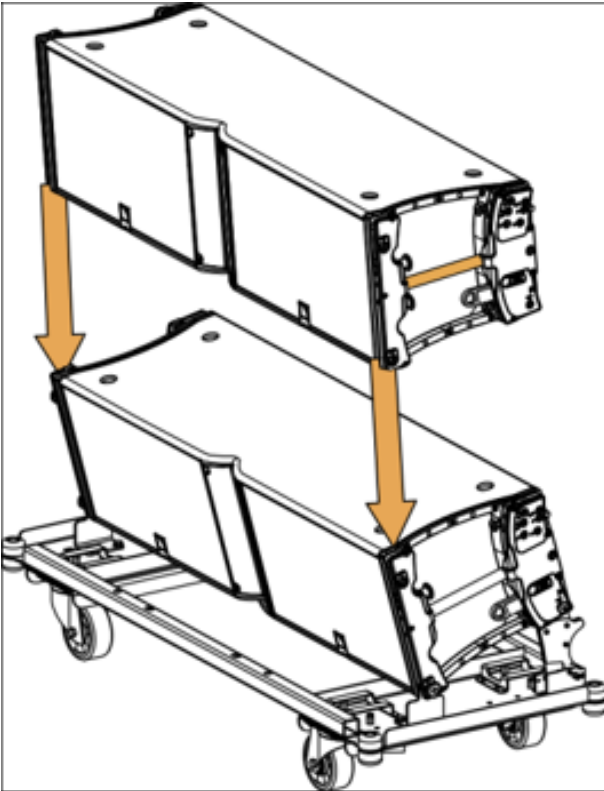
4. Lift the rear of the enclosure and rotate the dolly rear rigging arm in its upward position.



5. Secure the enclosure using the LINK hole.

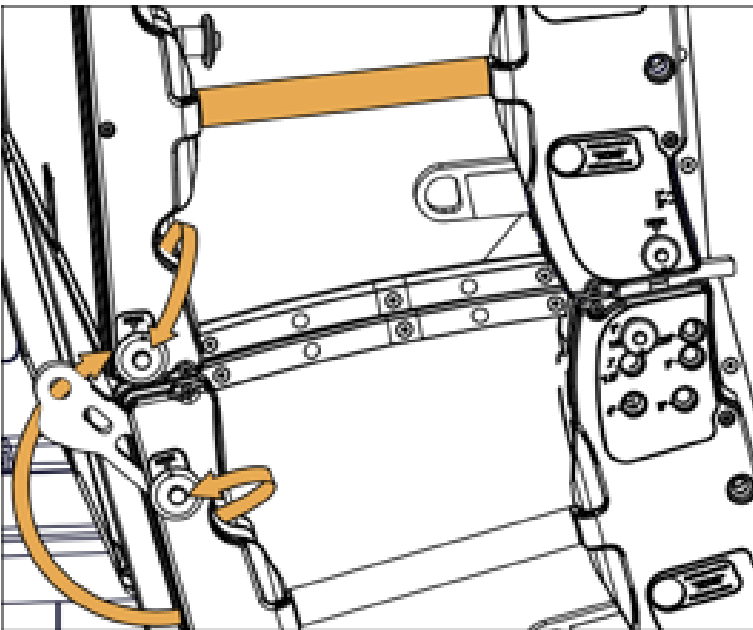


6. Position another K2 on the first one.

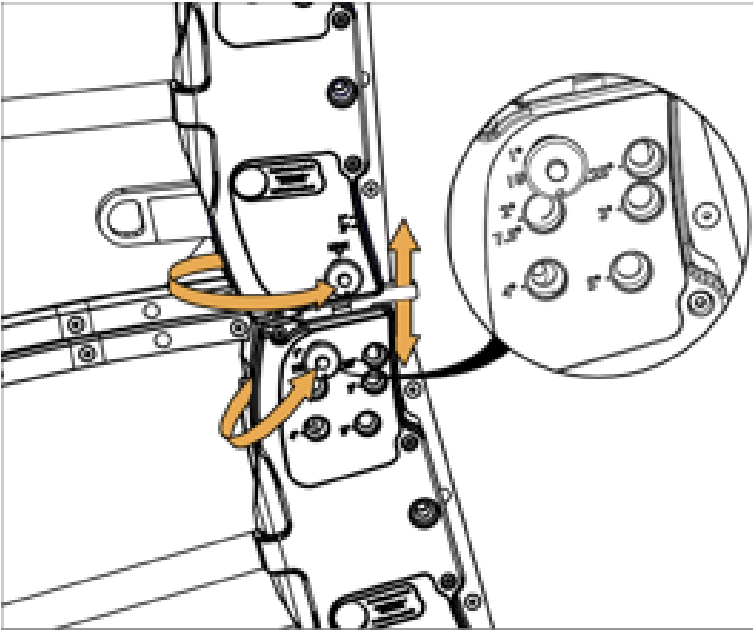


Keep holding the enclosure with the handles until the front rigging arm is secured.

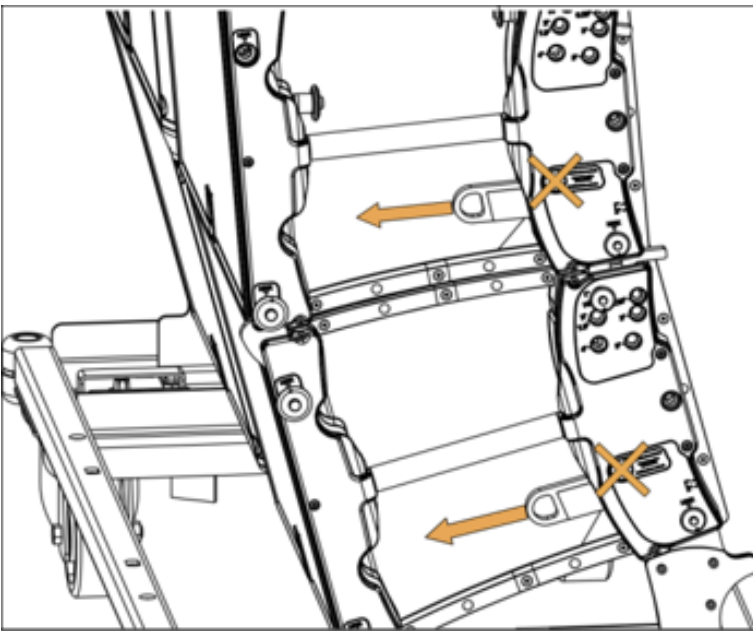
7. While holding the handle, rotate the front rigging arm and secure it with both LINK pins.



8. Slide the rear rigging arm and secure it with both pins, in the LINK and 10° holes.



9. Make sure the automatic locking system button is unloaded.  
If the button has been pressed, pull to disengage the latch.



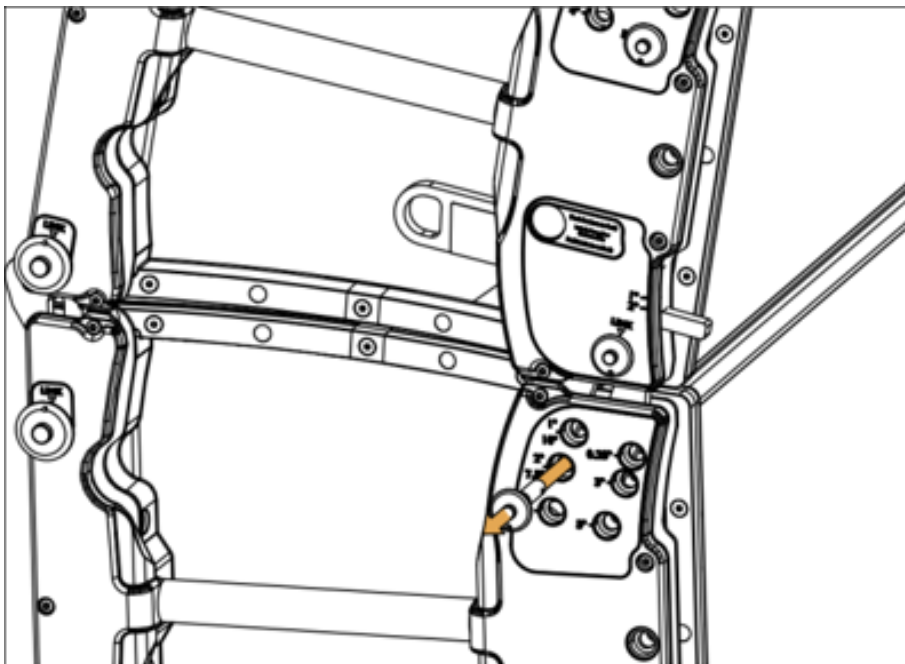
10. Repeat steps 1 (p.71) to 6 (p.73) until the block of four is complete.



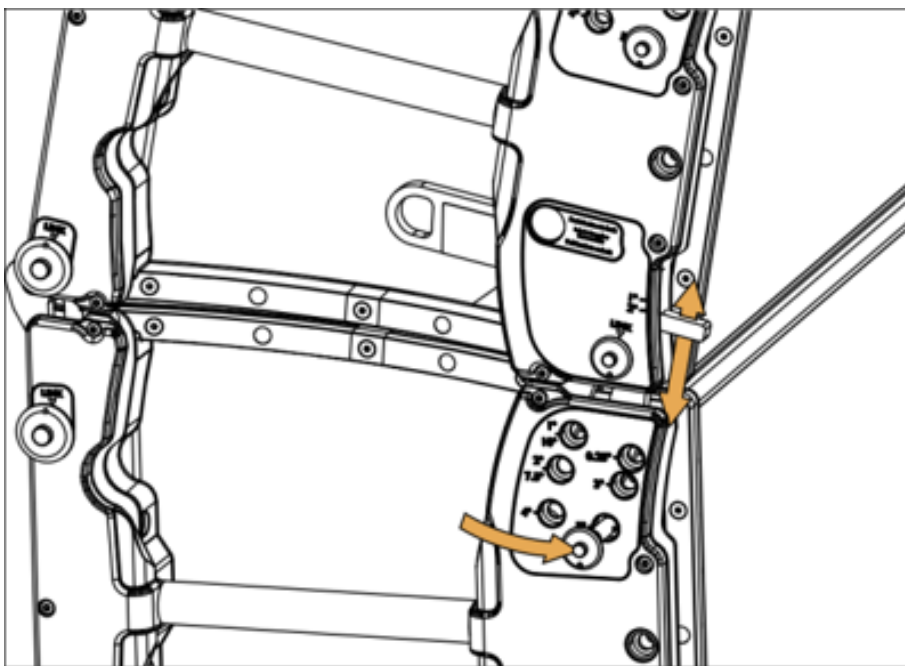
## B - Preset the inter-enclosure angles

### Procedure

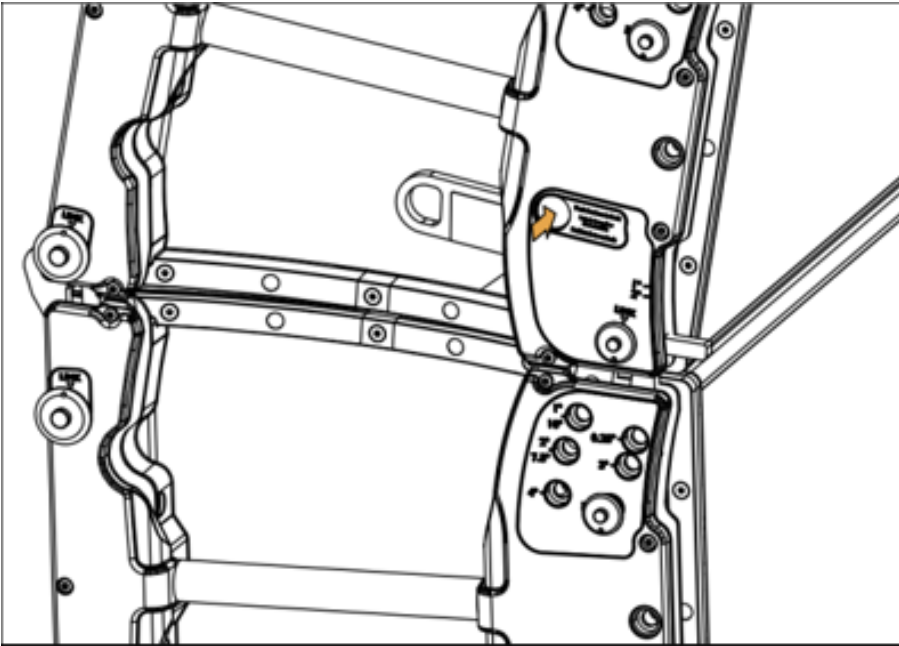
1. On both sides, remove the pin from its current angle hole.



2. Position the pin at the chosen angle hole and slide the rigging arm until the pin goes in.



3. Press the lock button to lock the inter-enclosure angle.



## C - Attaching K2-JACK stabilizers to K2-CHARIOT



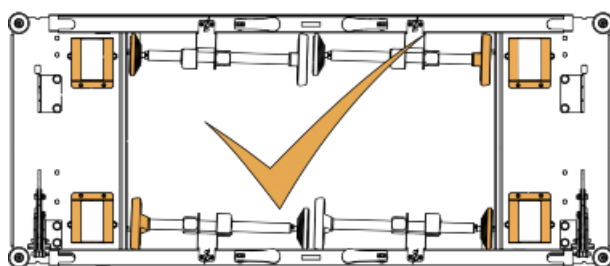
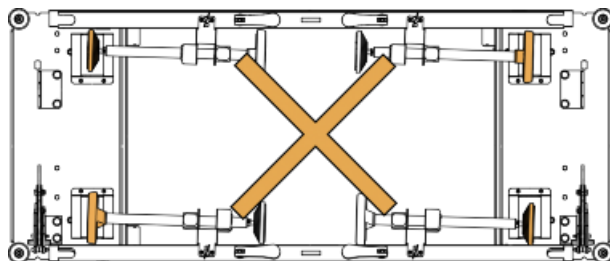
### K2-JACK stabilizers storage position on K2-CHARIOT

K2-JACK stabilizers can be attached to K2-CHARIOT during storage.

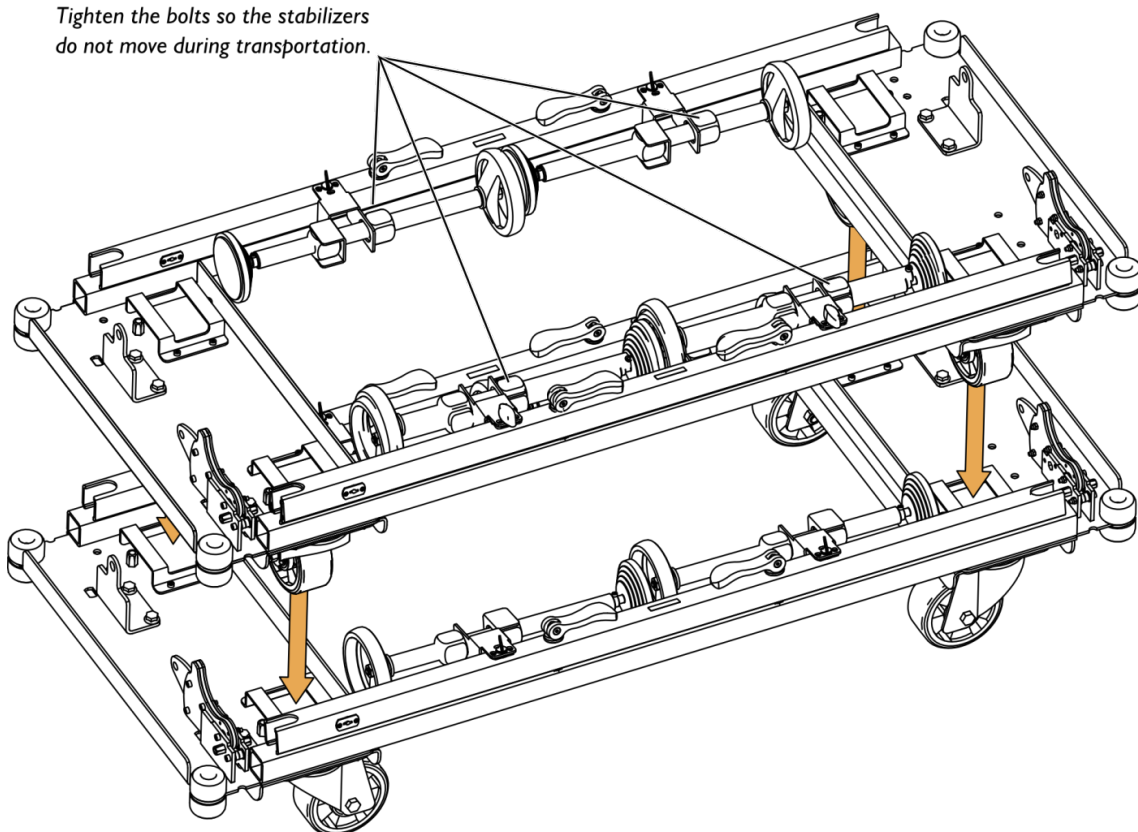


The K2-JACK stabilizers must not overlap on the wheel stops.

They would prevent efficient stacking of K2-CHARIOT in storage.

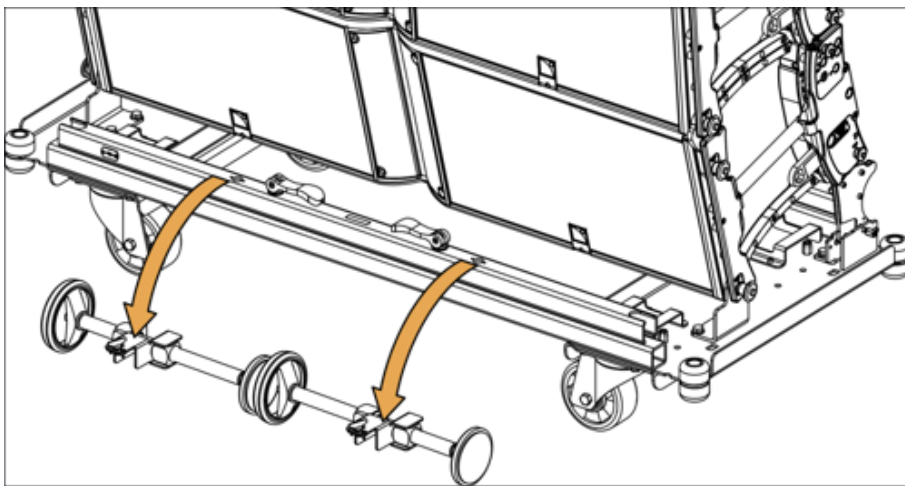
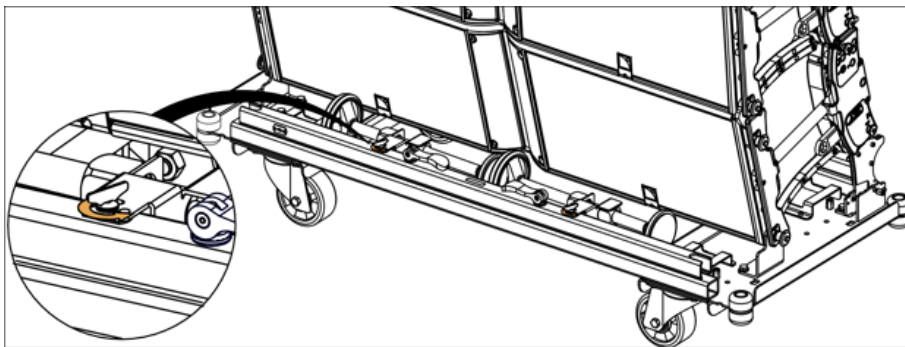


*Tighten the bolts so the stabilizers do not move during transportation.*

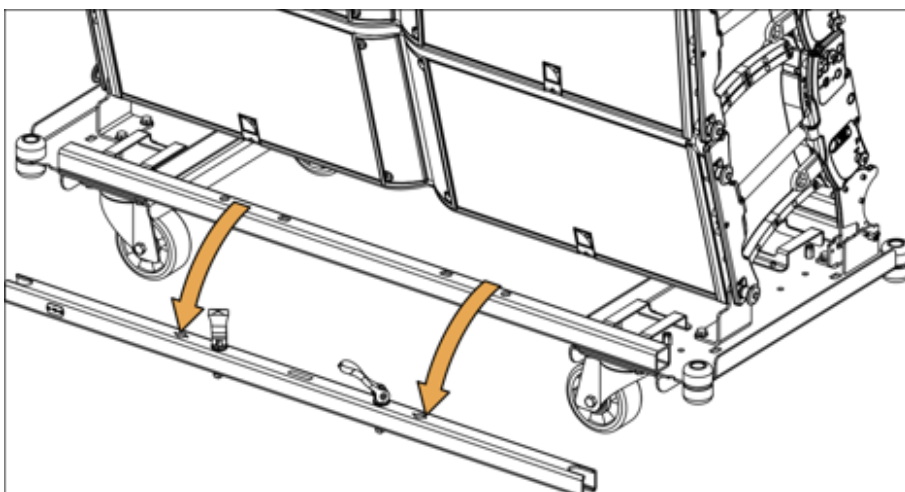
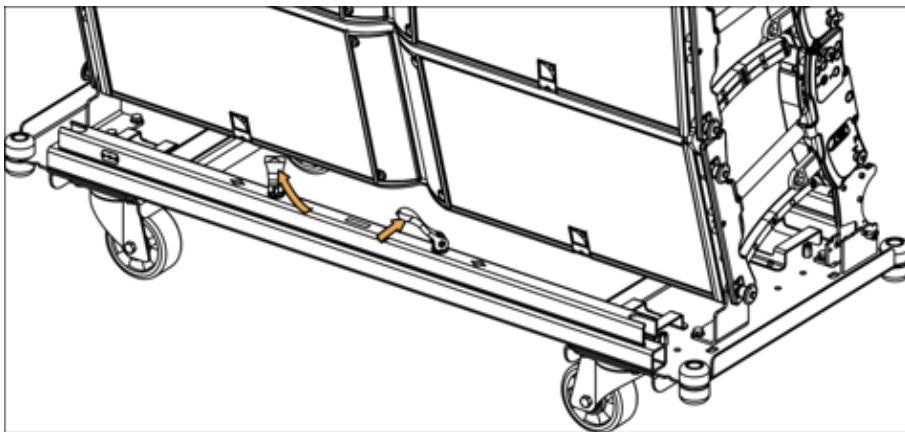


## Procedure

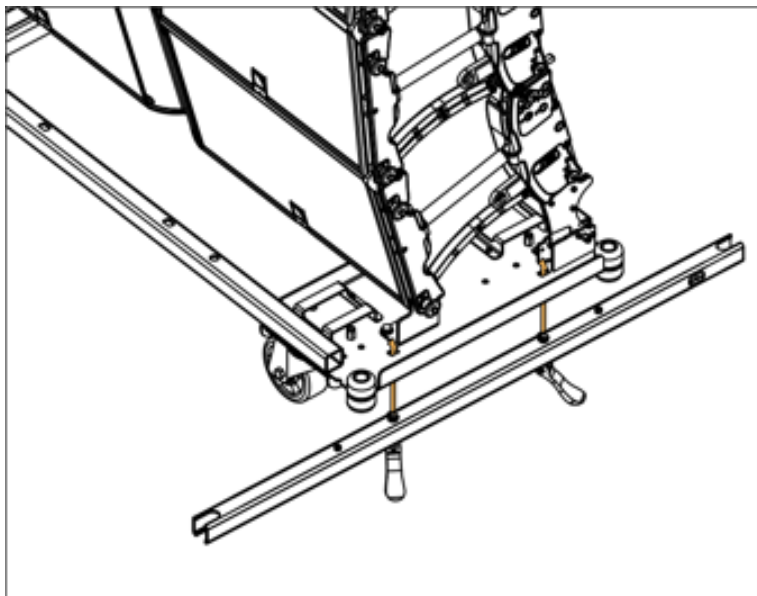
1. Remove the two K2-JACK from the K2-CHARIOT:
  - a) Remove the stabilizers from each bar.



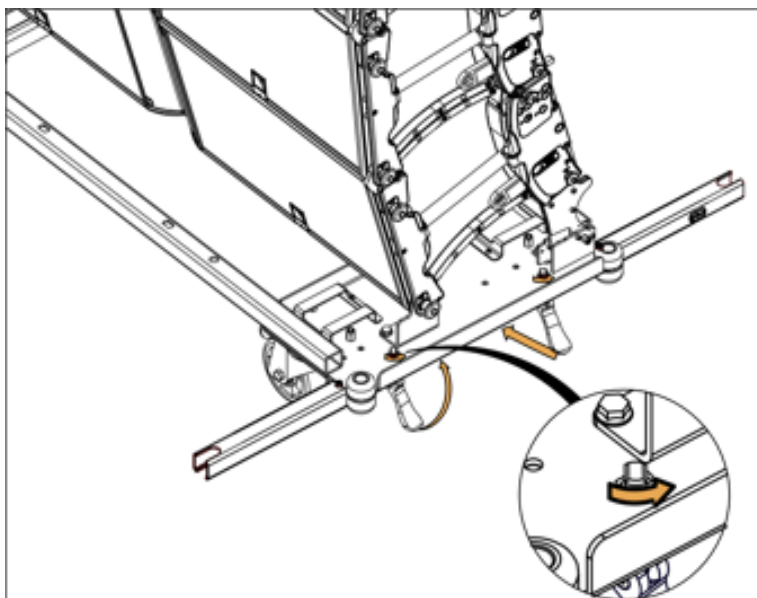
- b) Remove the bar from the K2-CHARIOT.



2. Attach the K2-JACK to the K2-CHARIOT:
  - a) Insert the K2-JACK studs through the K2-CHARIOT.



- b) Raise and turn the K2-JACK handles to secure the locking system.

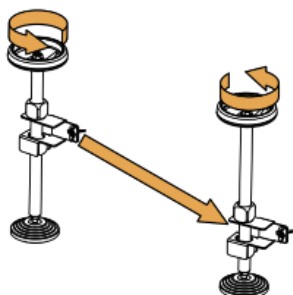


**i** **Dust**

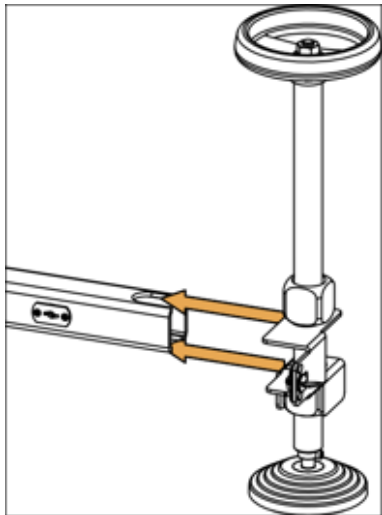
During the K2-JACK stabilizers first use dust will come off the threaded rod. It is expected and does not indicate a malfunction.

3. Prepare the K2-JACK stabilizers.

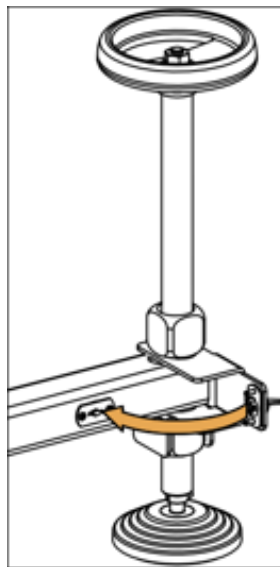
Rotate the threaded rod counter-clockwise so the central part of the stabilizer is closest to the base.



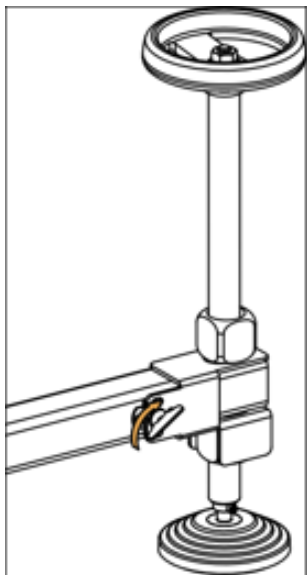
**4.** Attach the stabilizers to the bar.



Insert the feet in the guides at both ends of the bar.

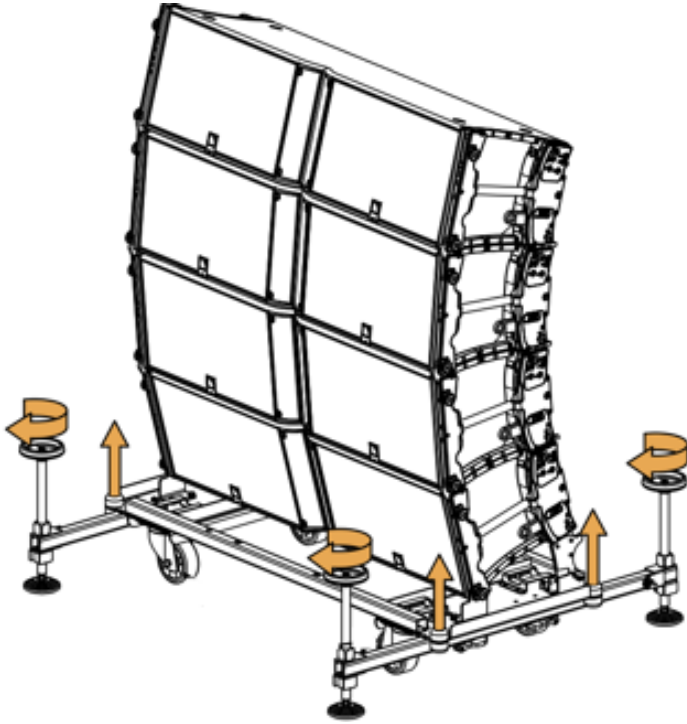


Pivot the feet so they come in contact with the bar.



Lock the feet in position by giving a quarter-turn to the locking system.

5. Rotate the feet clockwise to raise the K2-CHARIOT off the ground.  
Stop raising the stack as soon as the wheels get off the ground.





## D - Changing the position of the K2-CHARIOT rear rigging arm

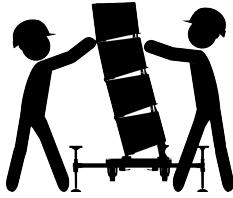
min number of operators	2
-------------------------	---

### Procedure

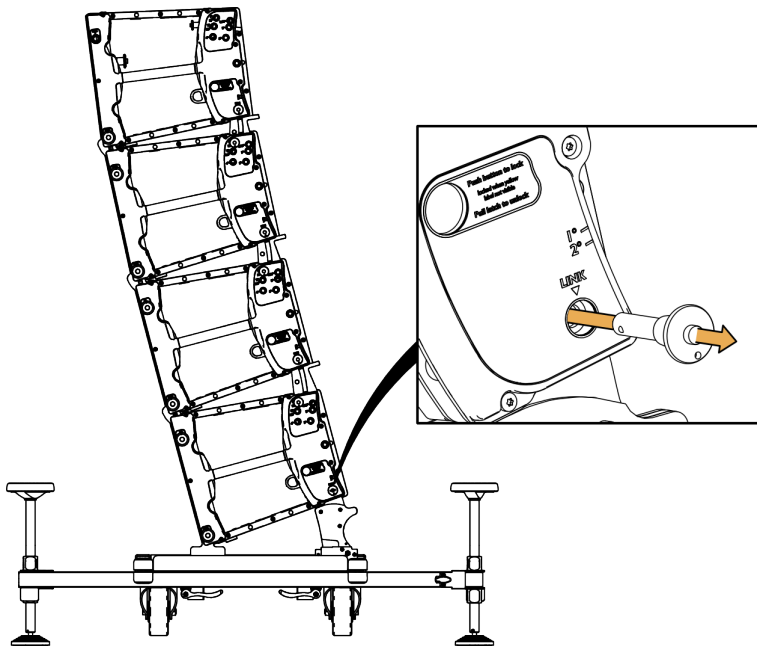


#### Tipping hazard

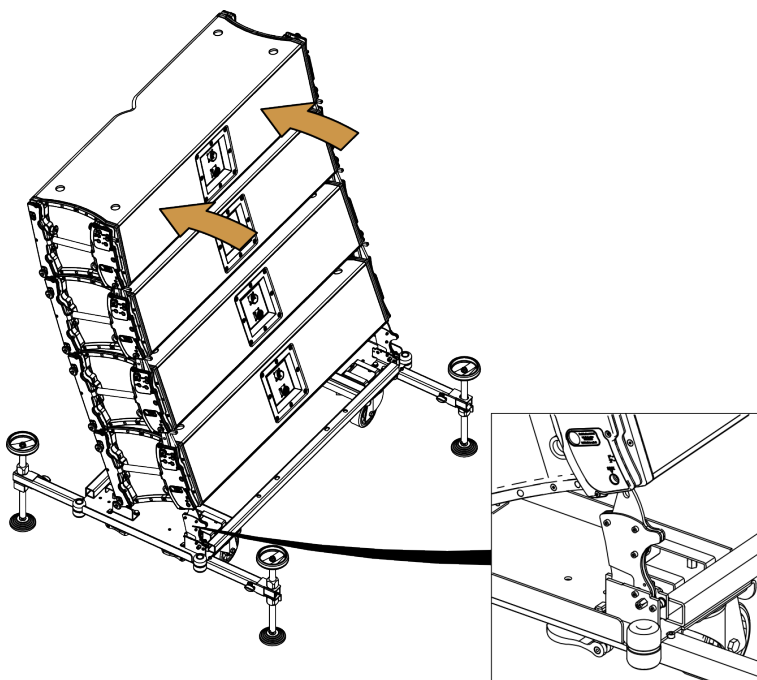
When the rear rigging arms are unpinned, hold the enclosures on both sides.



1. On both sides, remove the rear rigging arm pin.

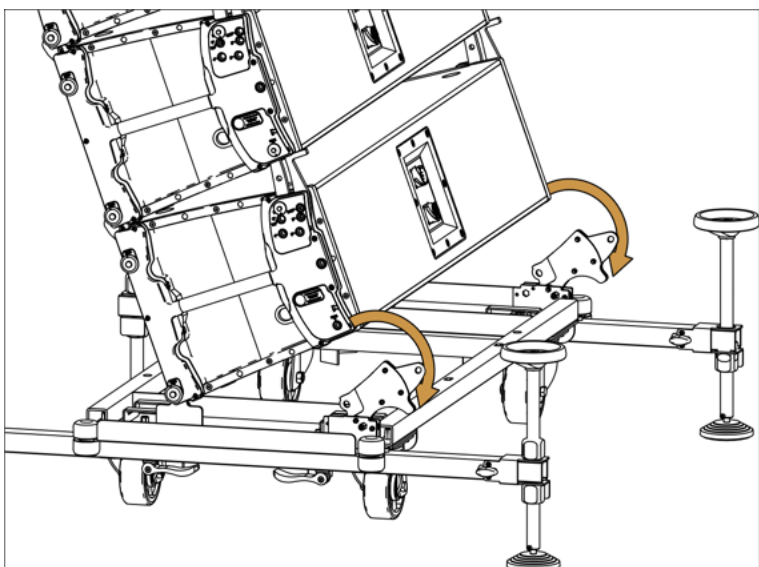


2. Push the enclosures to free both arms.

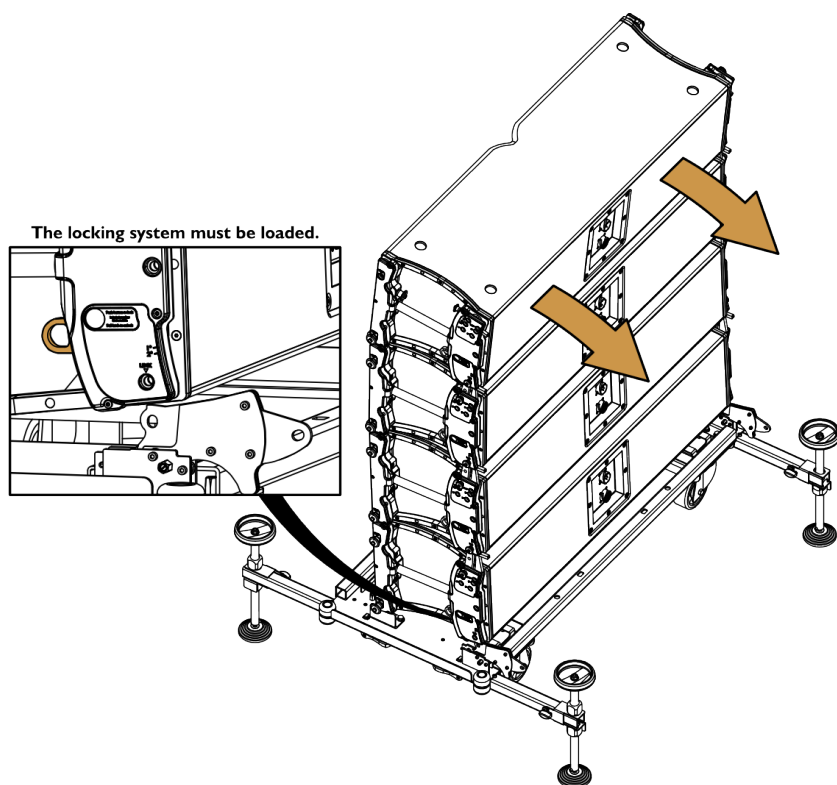




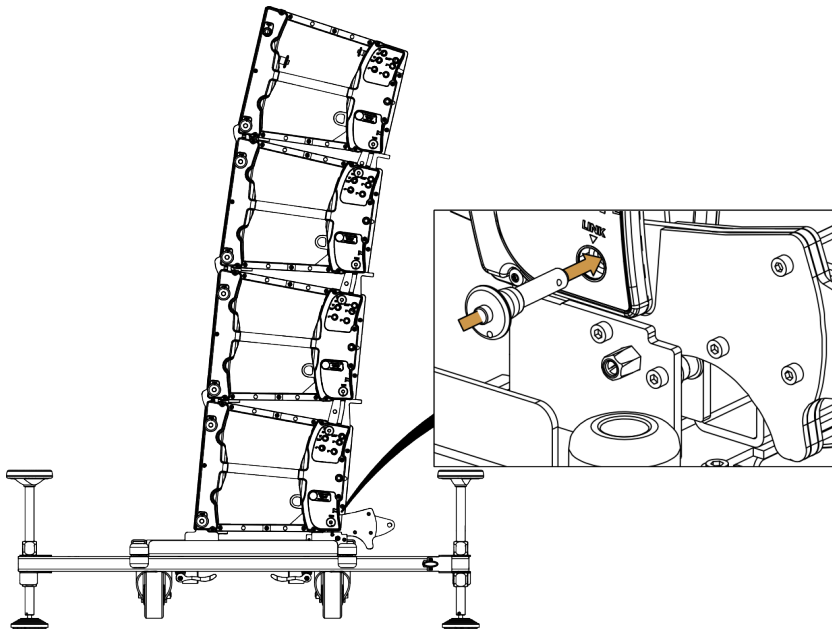
3. Use your foot to move up or move down the rear rigging arms.



4. Guide the enclosures back on the arms.



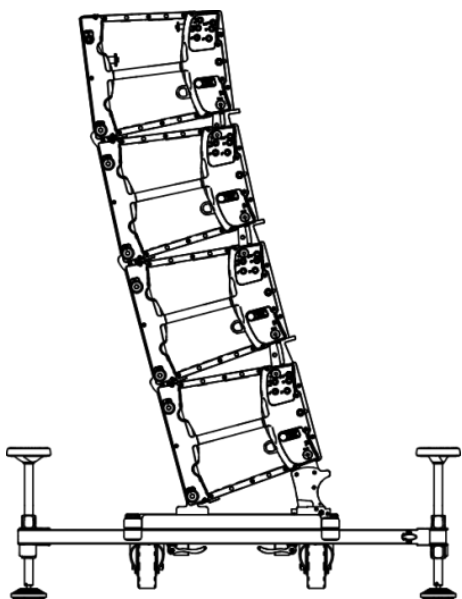
**5. Pin the arms.**



## E - Adjusting the K2-CHARIOT site angle

### Procedure

1. Verify the wheels are as close as possible to the ground without touching it.

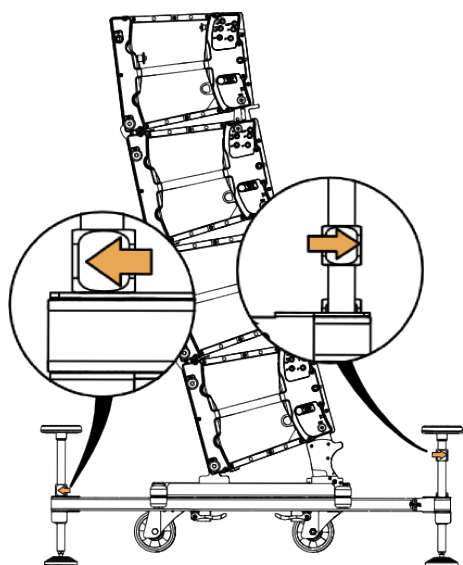


2. Loosen one stabilizer bolt and tighten the other one depending of the target site angle.

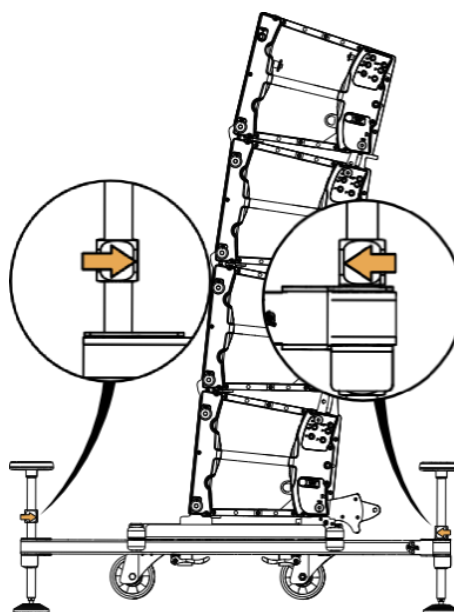


Tighten the bolt by hand only.

#### Negative site angle



#### Positive site angle

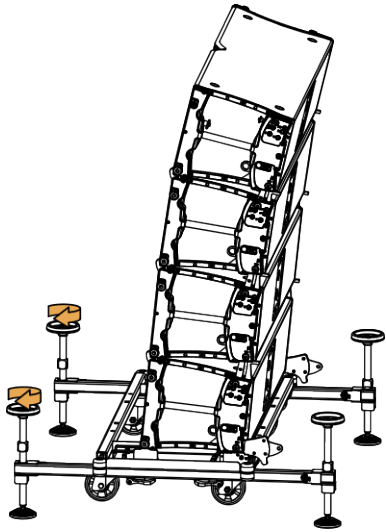


**3. Adjust the site angle:**

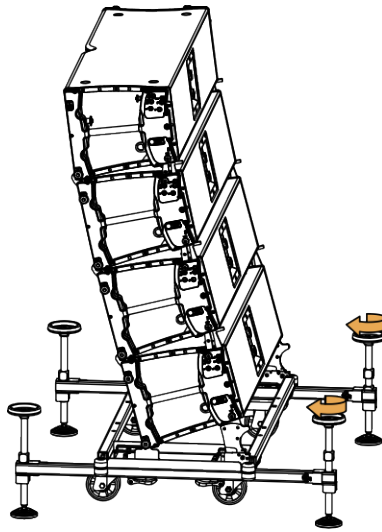


**Tipping hazard**

Adjust either the stabilizer at the front or at the back of the stack. Do not adjust both the front and back of the stack.



With the front screw jacks for a positive site angle.

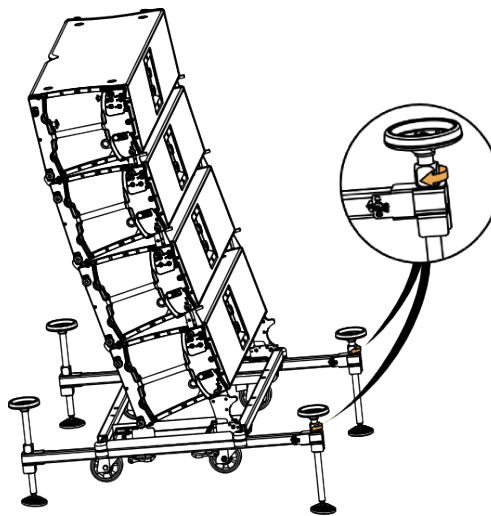
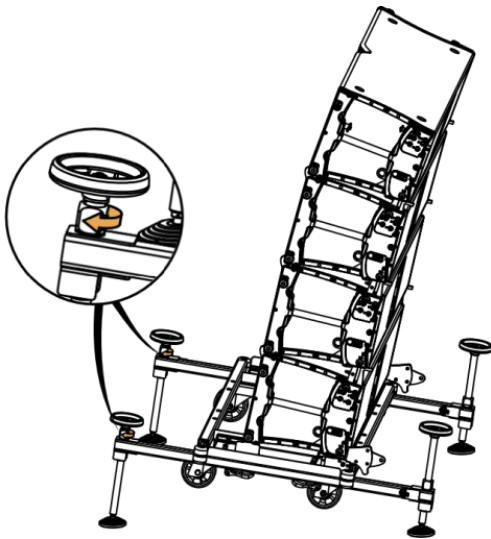


With the back screw jacks for a negative site angle.

**4. Tighten the front or back bolts depending on the site angle.**



Tighten the bolt by hand only.

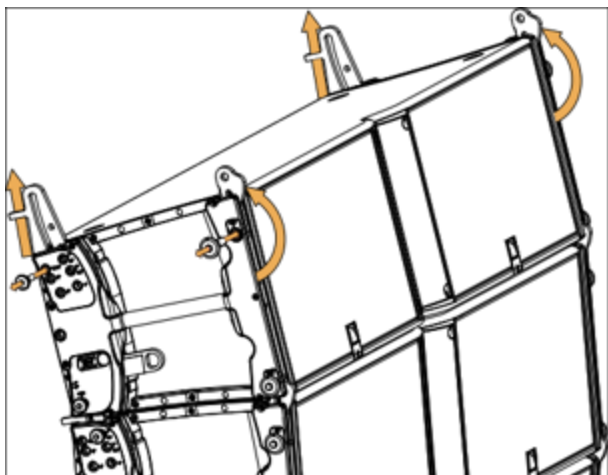


## F - Stacking K2 on K2-BUMP

<b>min number of operators</b>	2
--------------------------------	---

### Procedure

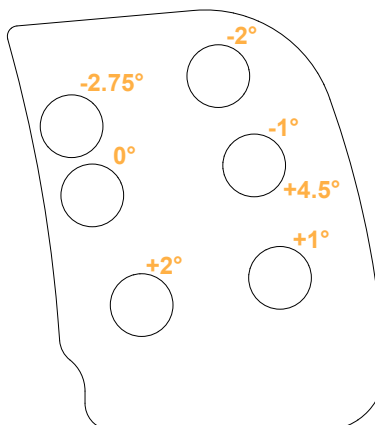
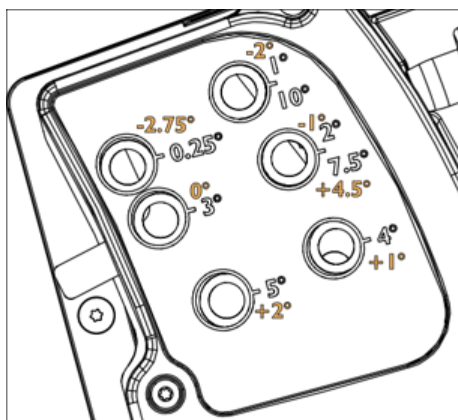
1. Prepare a block of 4 K2. Refer to [A - Preparing a block of 4 K2](#) (p.71).
2. Preset the inter-enclosure angles. Refer to [B - Preset the inter-enclosure angles](#) (p.75).
3. Prepare the K2 block top enclosure:
  - a) Take out and lock the rear and front rigging arms.



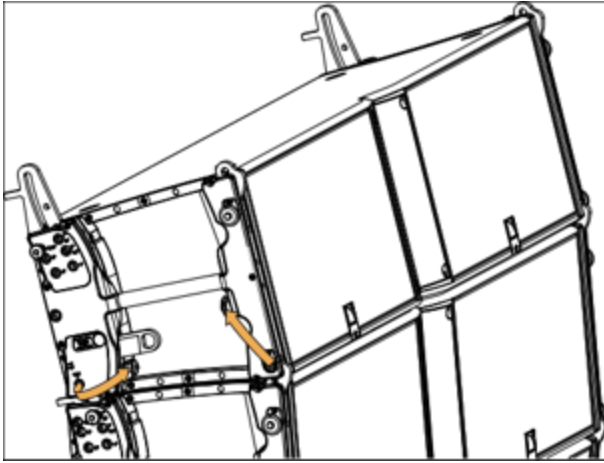
- b) Define the K2 stack site angle with the rear rigging arm.  
 For the top enclosure of the stack, select a value between 0.25 and 7.5 and subtract 3 to obtain the final site angle. For the other enclosures, select the angle normally.

### Final site angle for top enclosure

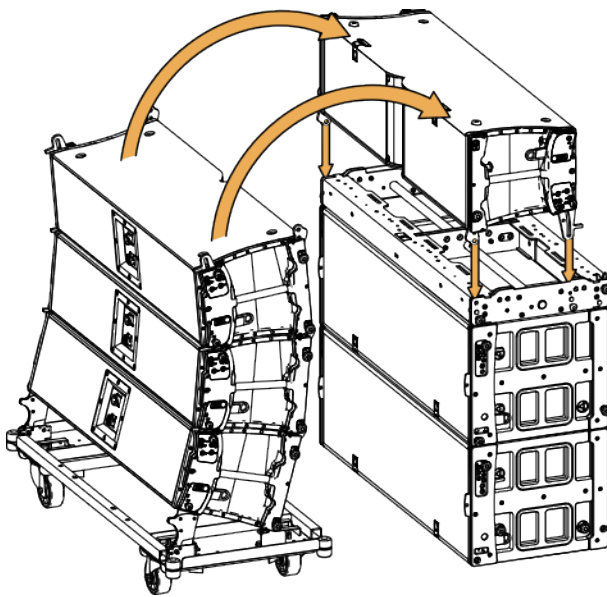
authorized angles	final site angles
0.25°	-2.75°
1°	-2°
2°	-1°
7.5°	4.5°
3°	0°
4°	1°
5°	2°



4. Remove the lower rear and front pins.



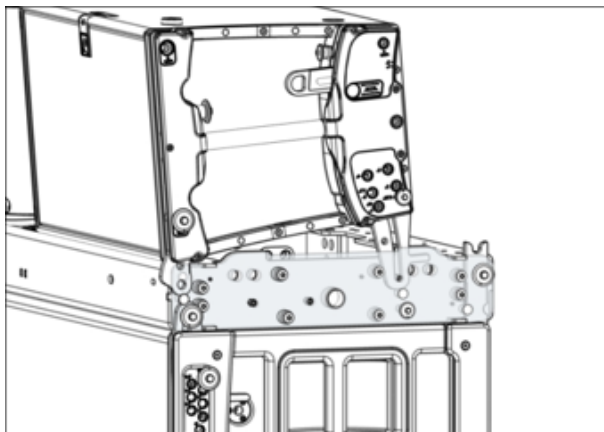
5. Turn the enclosure upside down on the K2-BUMP:



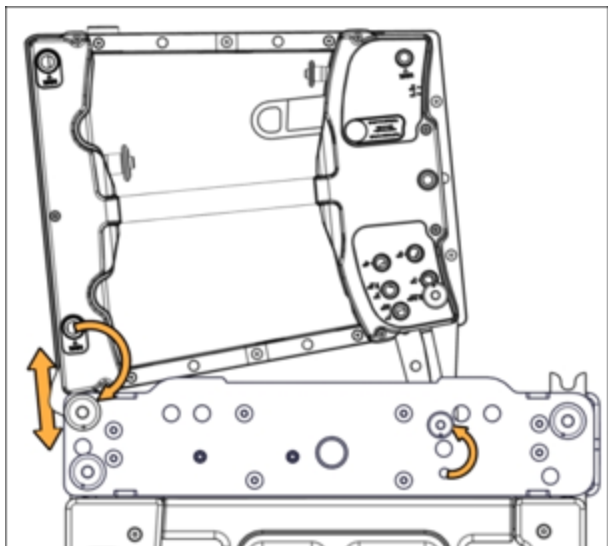
- a) Attach the K2 enclosure upside down on the K2-BUMP.

**i** The rigging arms should rest on the K2-BUMP spacers.

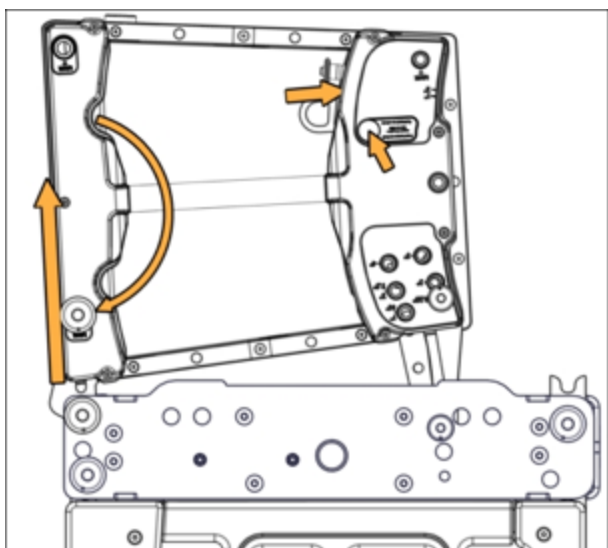
- b) Secure the rear arm to the K2-BUMP.



- c) Slide the front arm up and down to align the holes and secure it. Attach the front arm to the K2-BUMP.

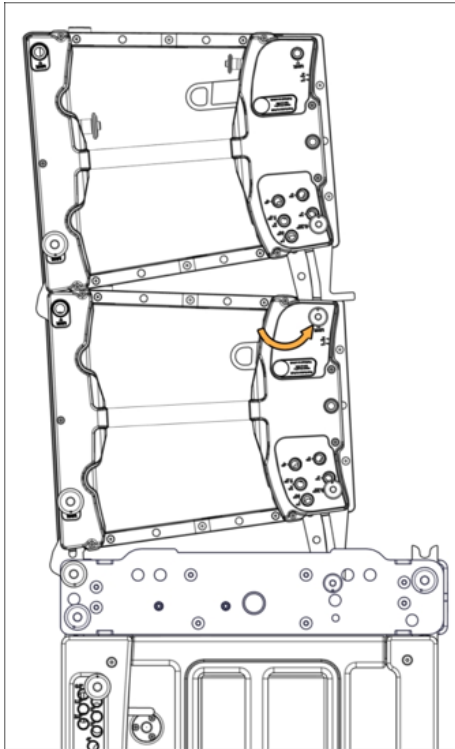


- d) Raise the top enclosure to align the holes. Secure the front rigging arm. Push the locking system button to arm the latch.

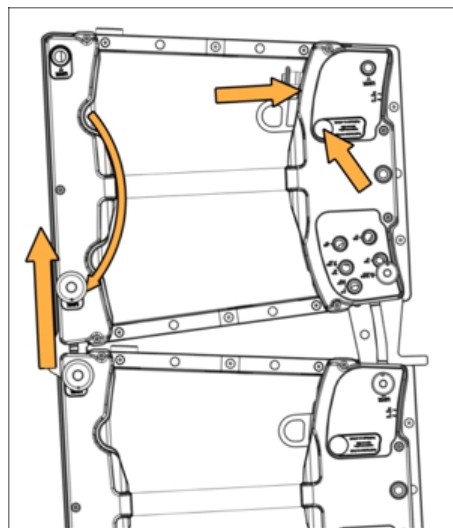
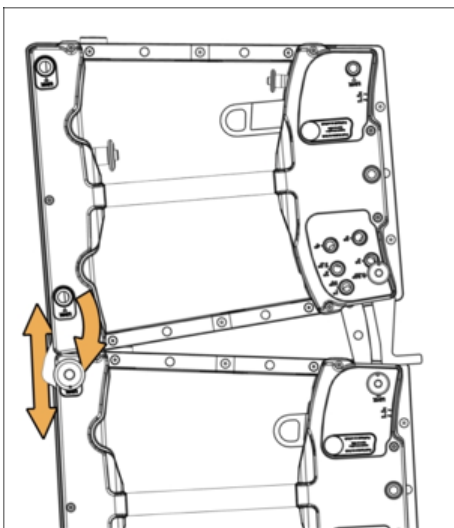


**6.** Attach another upside down K2 enclosure on the assembly:

- a) Secure the rear arm to the lower K2 enclosure.



- b) Slide the front rigging arm up and down to align the holes. Attach the front arm to the lower K2 enclosure.
- c) Raise the top enclosure to align the holes. Secure the front rigging arm. Push the locking system button to arm the latch.

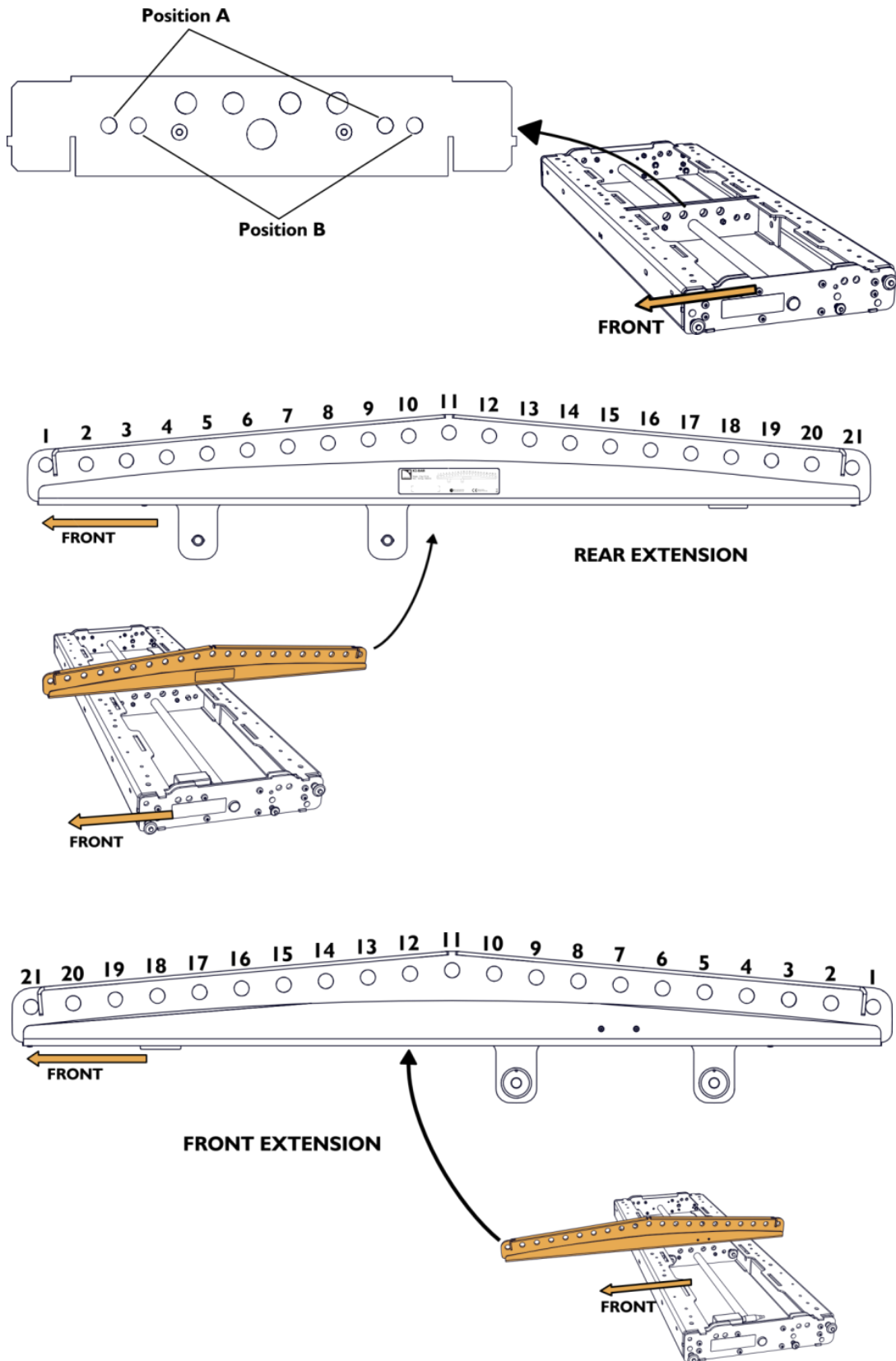




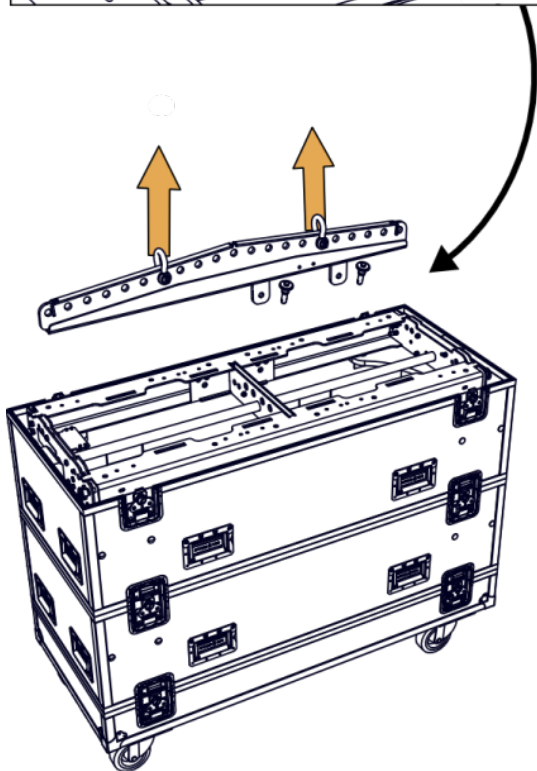
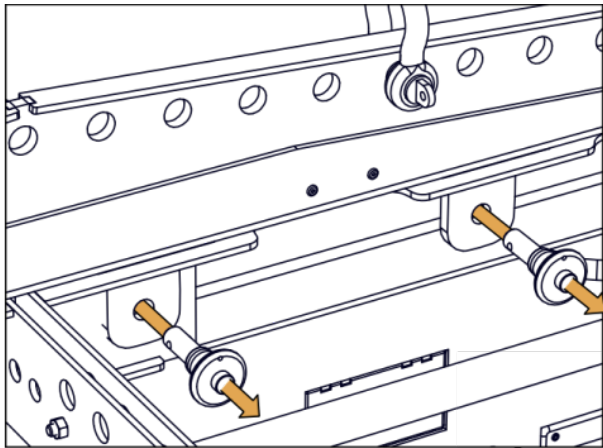
## G - Attaching K2-BAR to K2-BUMP

### Procedure

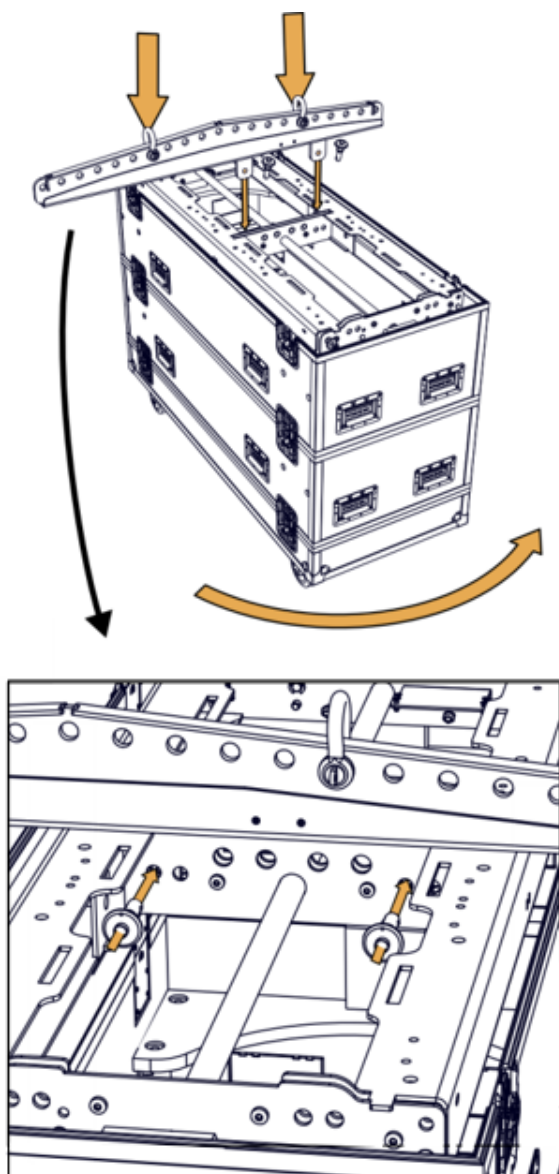
1. Refer to your Soundvision model to identify the extension and position of the bar.



2. Remove the pins and lift the K2-BAR using the motor.



3. Turn the K2BUMPFLIGHT 90°, lower K2-BAR and pin it according to the chosen flying option (position A or B, in front or rear extension).



## H - Attaching a block of four K2 under K2-BUMP

min number of operators	2
-------------------------	---

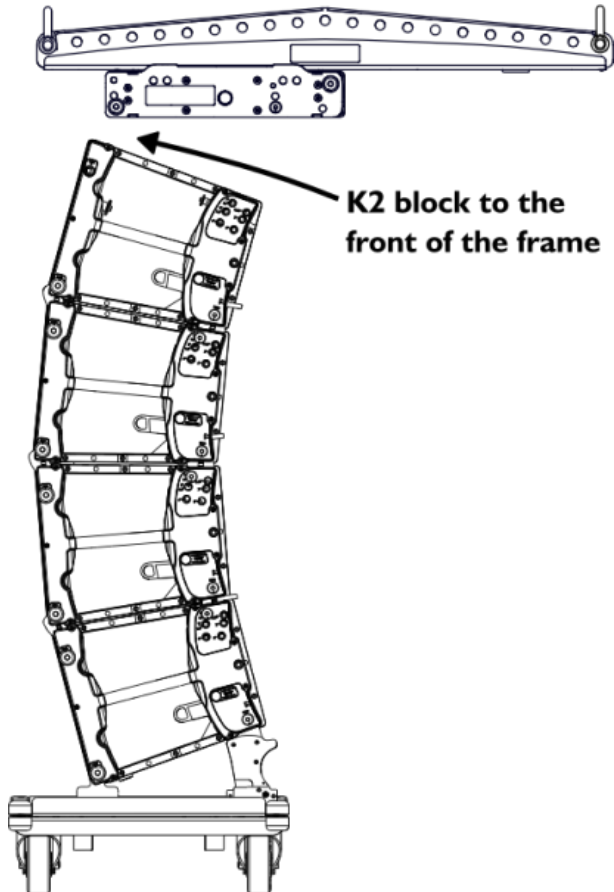
### Procedure

1. Lower the K2-BUMP to allow for front connection.

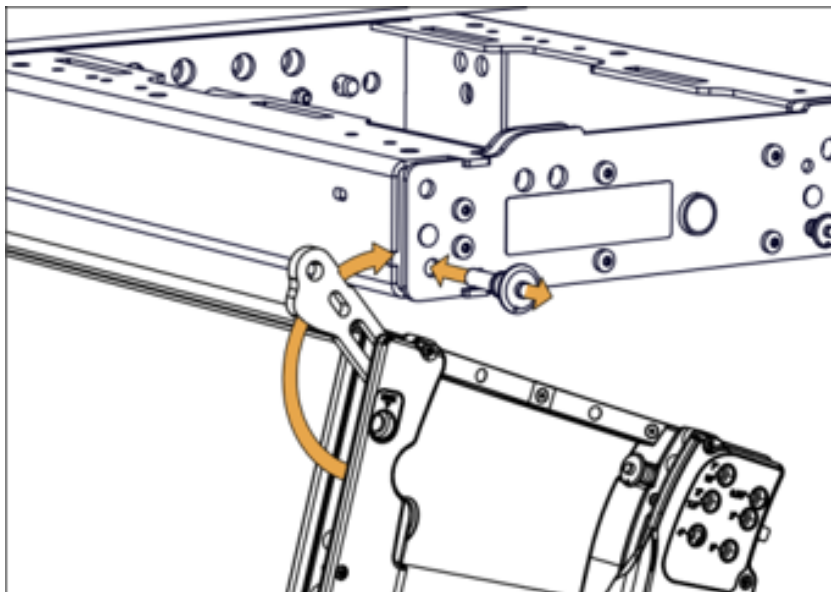


#### **Preset inter-enclosure angles**

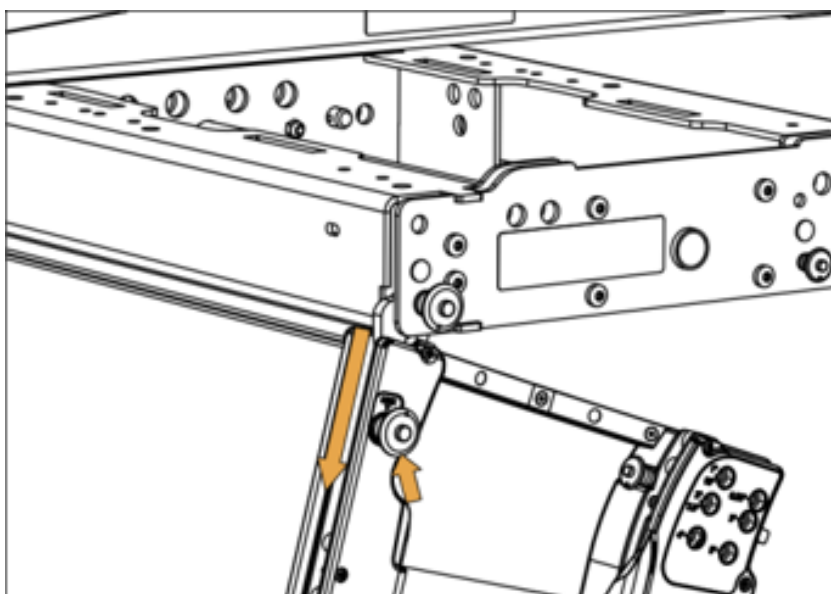
Preset the inter-enclosure angles before performing this procedure. Refer to [B - Preset the inter-enclosure angles](#) (p.75).



2. Attach the front rigging arm on both sides:
  - a) Rotate the arm and secure it with the K2-BUMP pin.



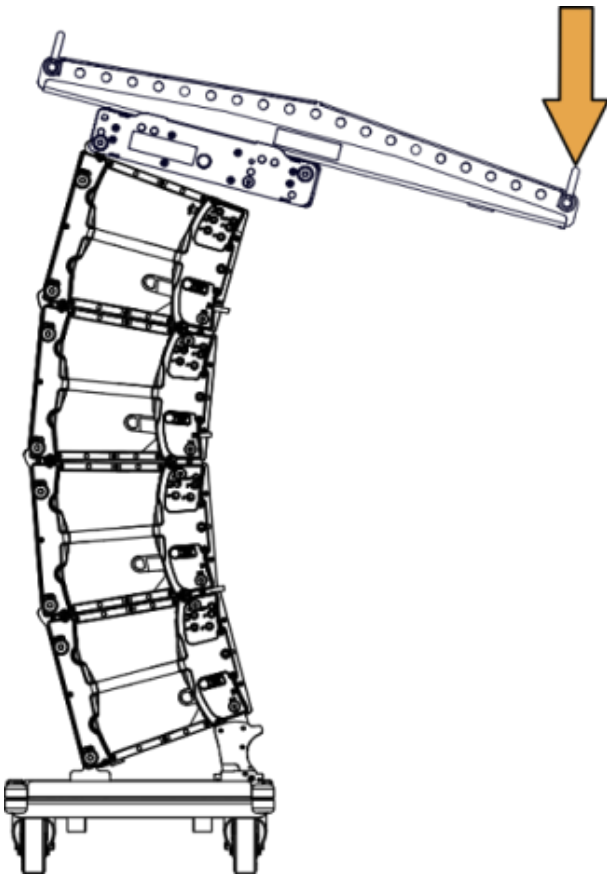
- b) Lower the K2-BUMP and secure the connection with the K2 pin.  
If you cannot insert the pin, move the frame back and forth.



**3.** Lower the rear of the K2-BUMP.

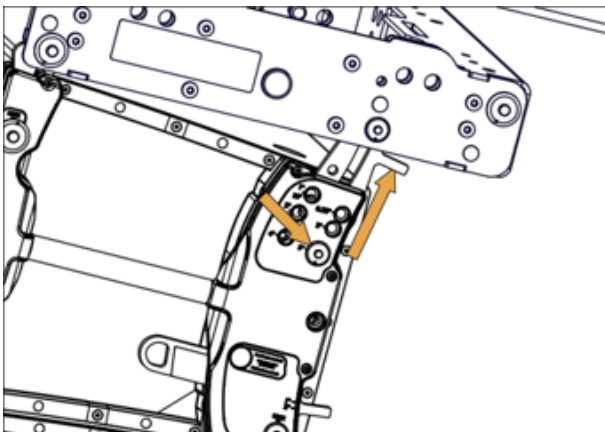


Do not lower until contact. Leave a gap allowing to slide the K2 arm to its 5° position.

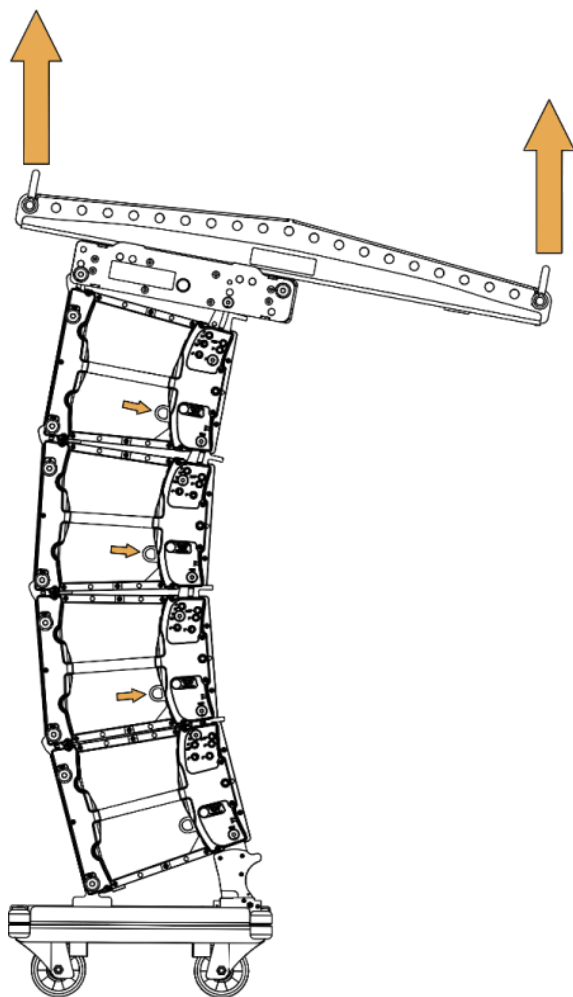


**4.** Attach the rear rigging arm to the frame:

- a) Slide the arm to its 5° position.
- b) Preset the angle at 5° with the enclosure pin.
- c) Secure the arm with the frame pin.

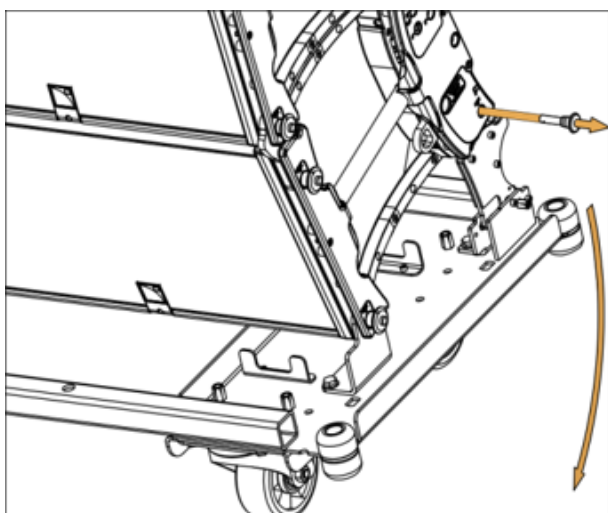


5. Raise the array to lock the inter-enclosure angles.

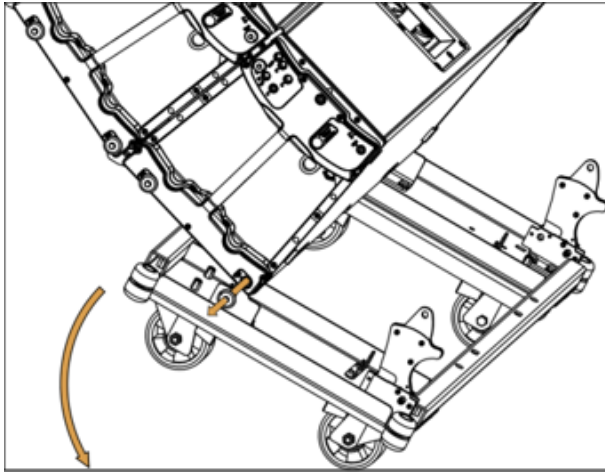


6. Remove K2-CHARIOT:

a) Hold the dolly with one hand. Remove the back pin on both sides.



b) Hold the dolly with one hand. Remove the front pin on both sides.





## I - Attaching a block of four K2 under K2-RIGBAR

### Procedure



#### Preset inter-enclosure angles

Preset the inter-enclosure angles before performing this procedure. Refer to [B - Preset the inter-enclosure angles](#) (p.75).

1. Hang the LA-SLING2T to the motor hook.

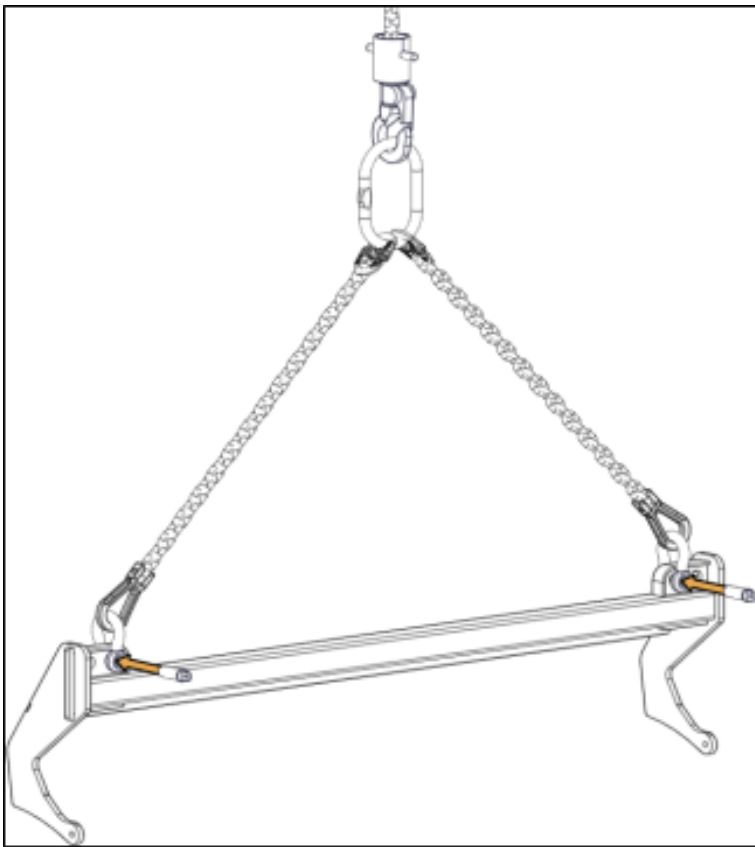


Make sure the chains are not twisted.

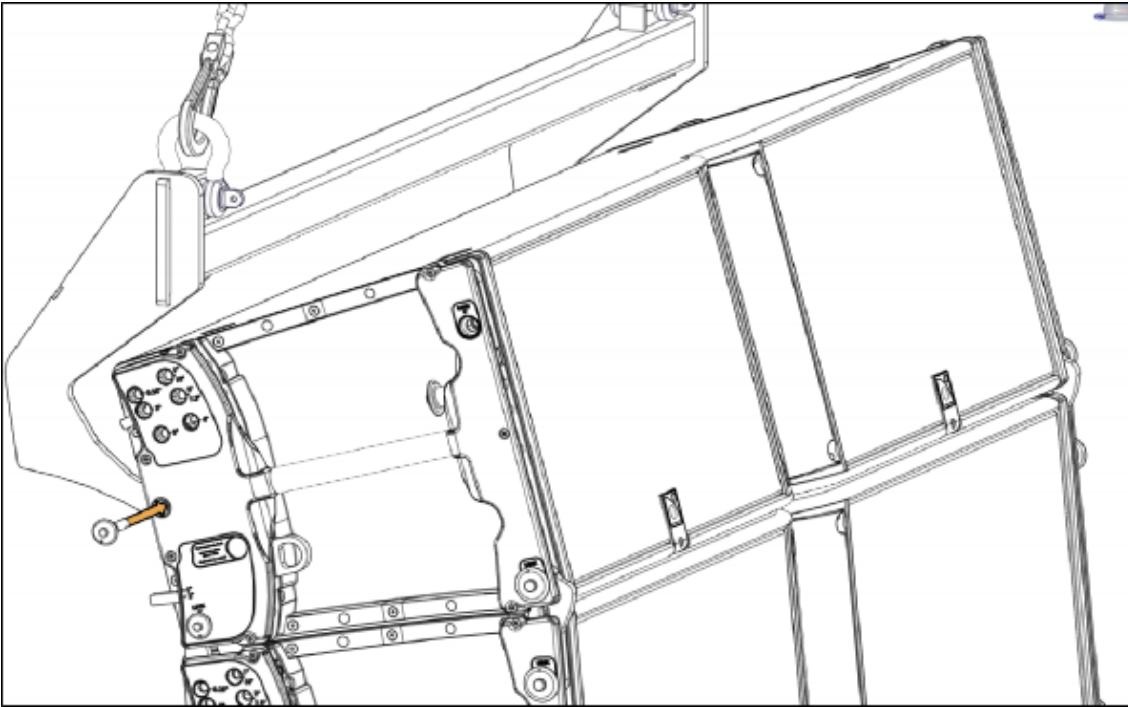
2. Attach the bar to the sling using the two 3.25 t WLL shackles. Use the interior holes of the bar.



The external holes are dedicated to safety slings.



3. Position and attach the K2 enclosures under K2-RIGBAR.  
Use the rear rigging middle hole.

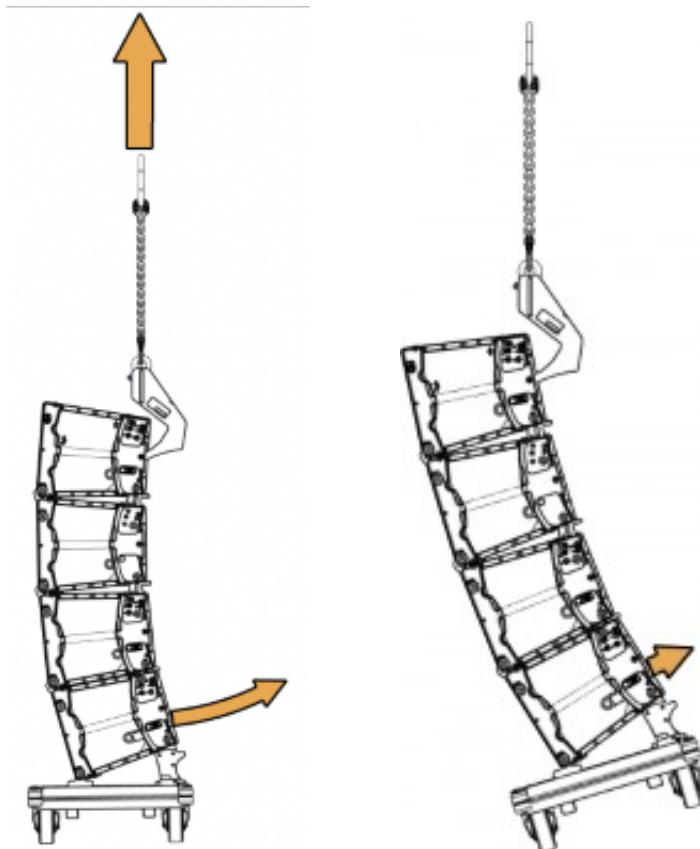


4. Raise the array to lock the inter-enclosure angles.



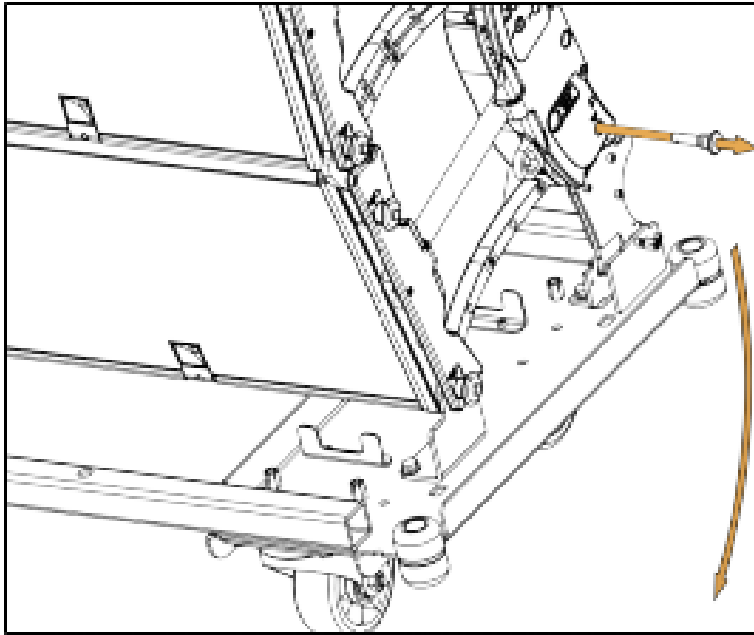
**Do not stand behind the array**

The array swings backwards when it is raised.

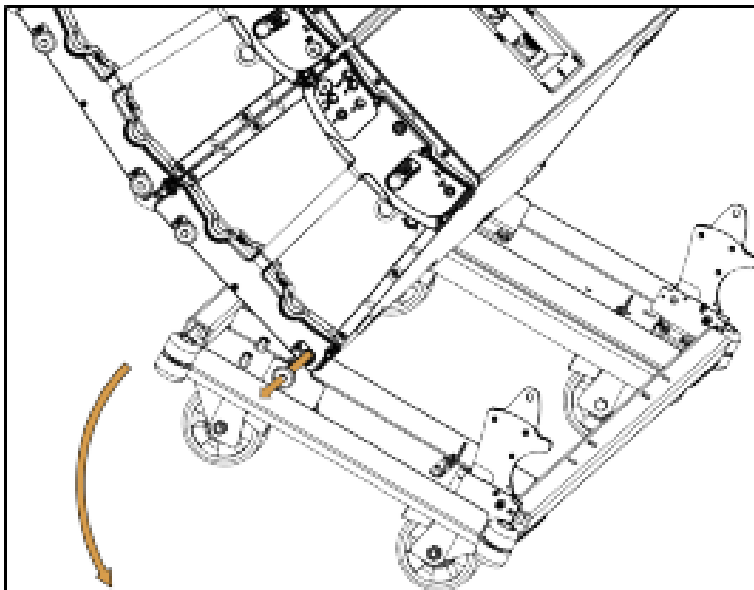


**5. Remove the K2-CHARIOT:**

- a) Hold the dolly with one hand. Remove the back pin on both sides.



- b) Hold the dolly with one hand. Remove the front pin on both sides.



## J - Attaching a block of four K2 under K2

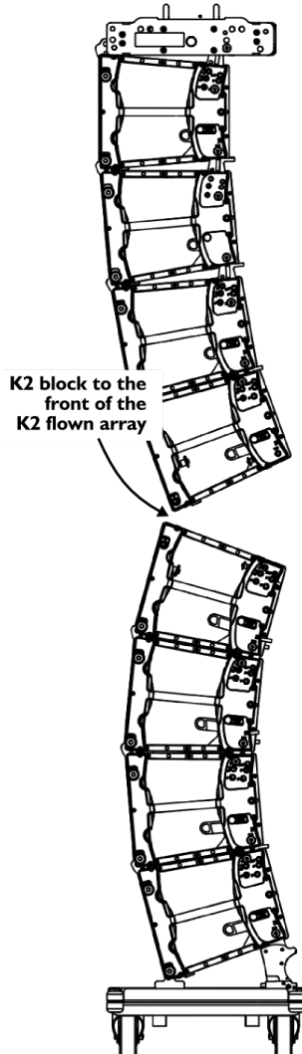
### Procedure



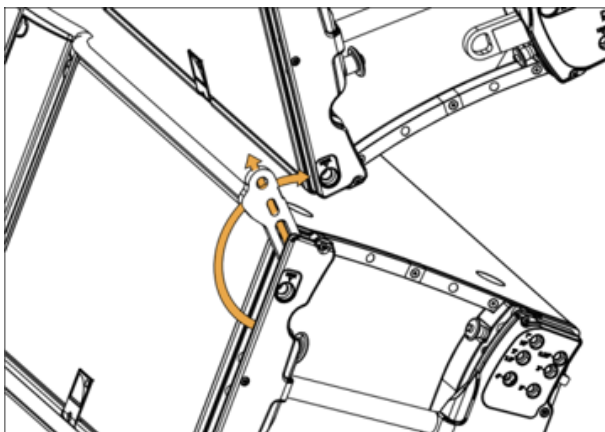
#### Preset inter-enclosure angles

Preset the inter-enclosure angles before performing this procedure. Refer to [B - Preset the inter-enclosure angles](#) (p.75).

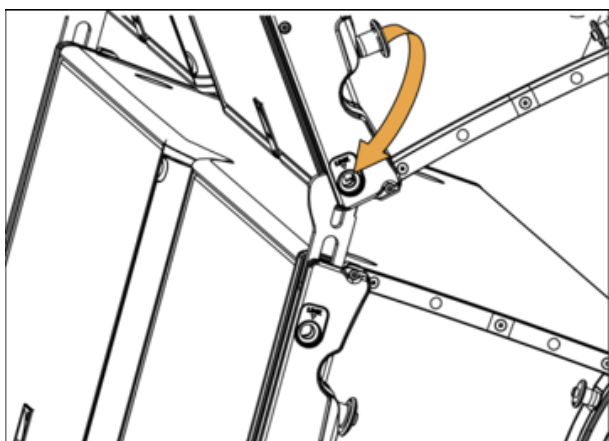
1. Attach the front rigging arm on both sides:



- a) Rotate the arm to align its hole with the K2 rigging hole.



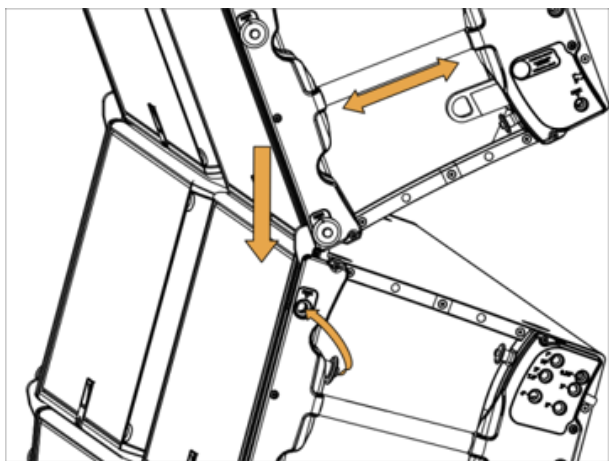
b) Pin the arm in the LINK hole of the flown array.



c) Lower the flown array and secure the assembly with the LINK pin.



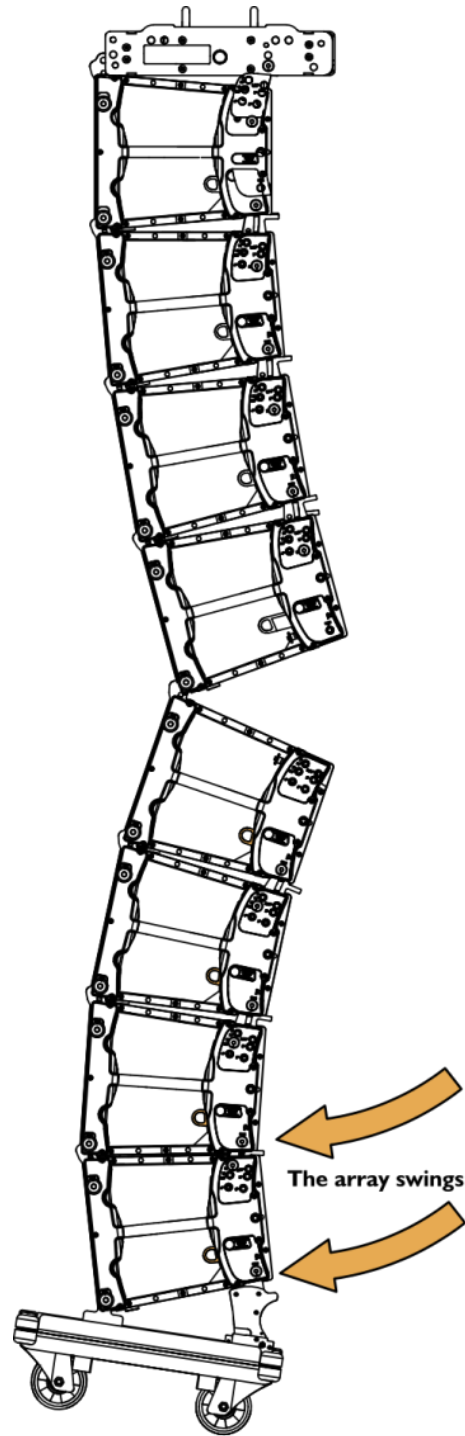
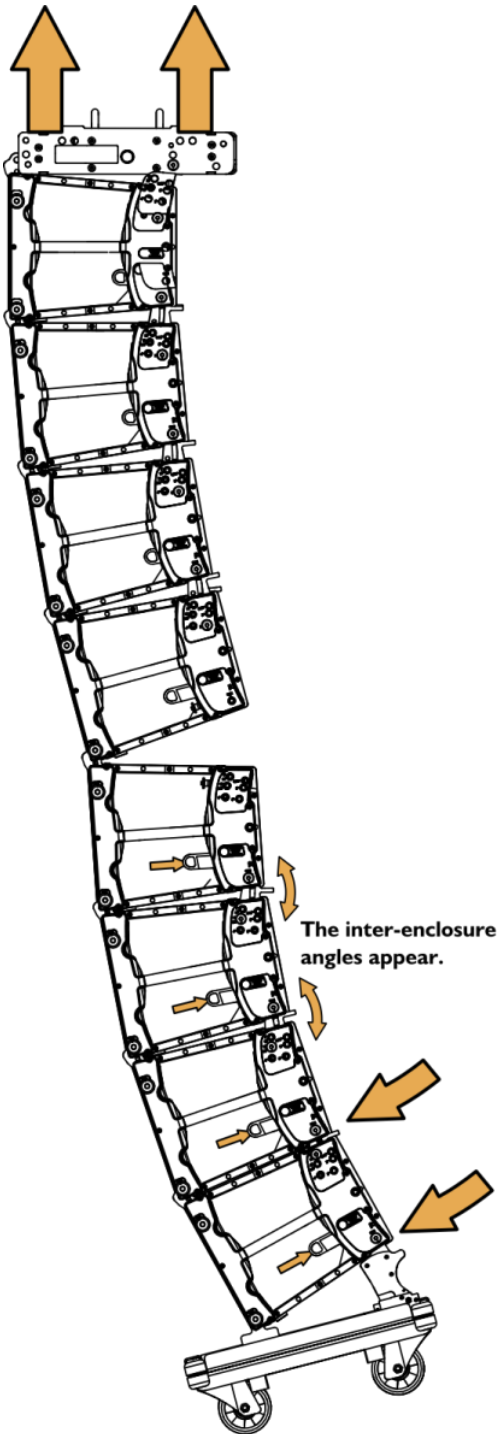
If you cannot insert the pin, move the flown array back and forth with enclosure handle.



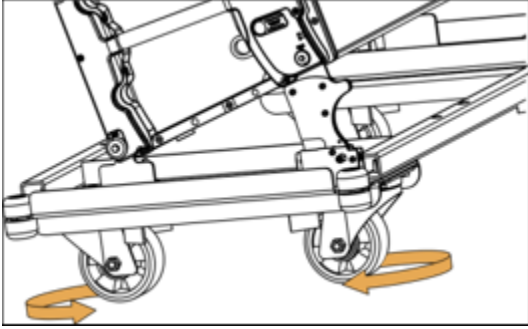
**2.** Lock the inter-enclosure angles of the block.

Raise the array.

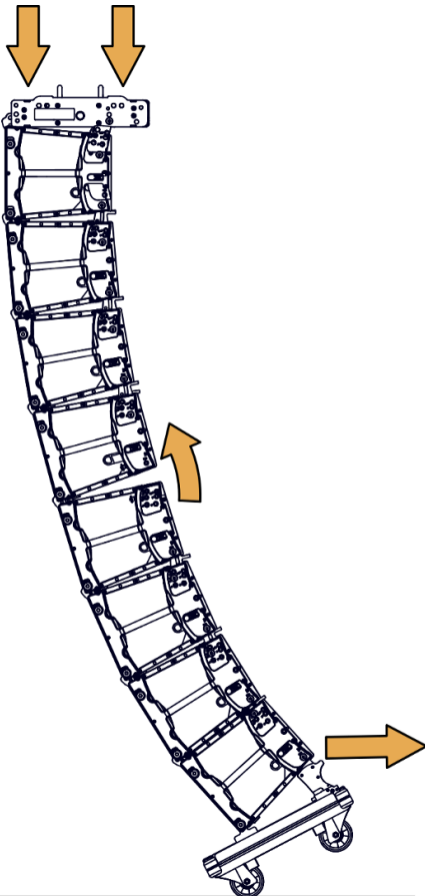
The lower K2 enclosures swing and the latches automatically lock.



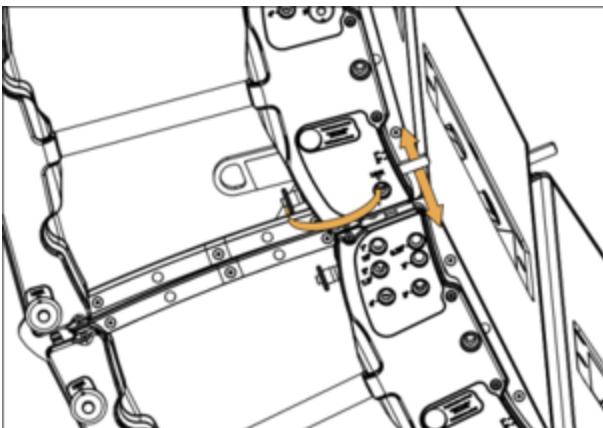
- 3.** Attach the lower K2 enclosures rear rigging arm to the back of the array:  
a) Turn the wheels inside the dolly.



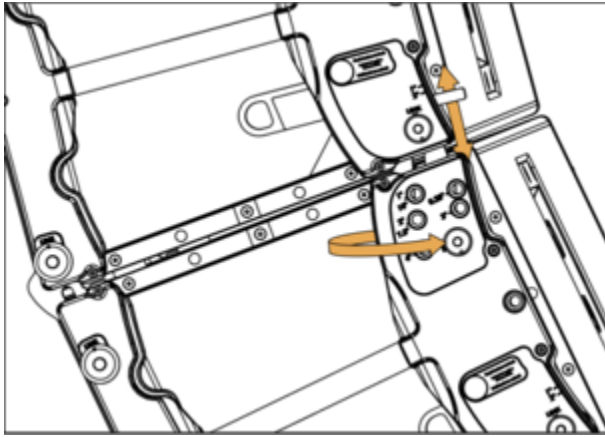
- b) Pull back the bottom enclosures while lowering the array until the array and the top enclosure of the block are in contact.



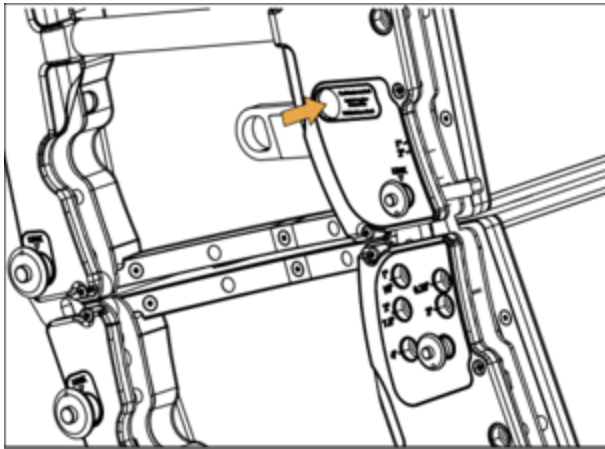
- c) Slide the arm upward and secure it with the pin using the LINK hole.



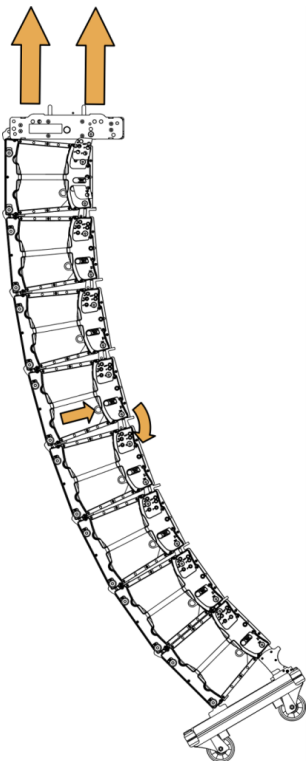
d) Position the pin at the entrance of the chosen angle hole and slide the rigging arm until the pin goes in.



e) Press the lock button.



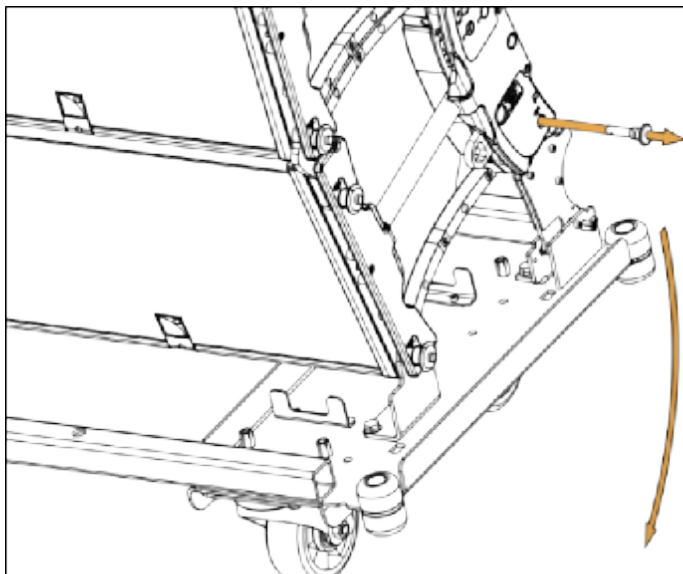
**4.** Raise the array to lock the inter-enclosure angle.  
The latches automatically lock.



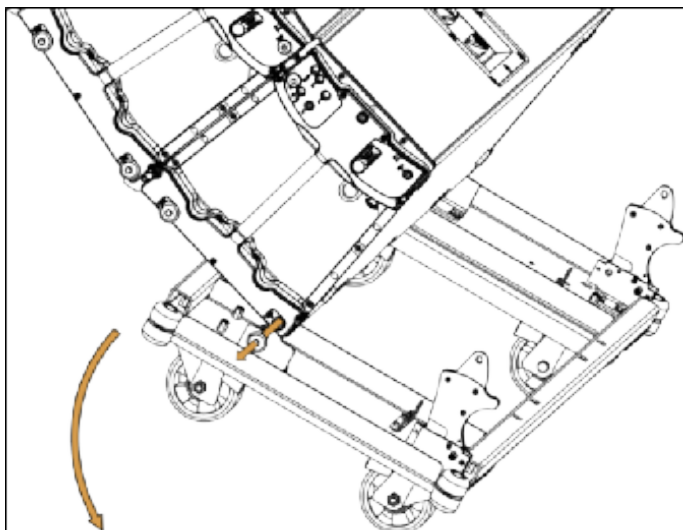


**5. Remove the K2-CHARIOT:**

- a) Hold the dolly with one hand. Remove the back pin on both sides.



- b) Hold the dolly with one hand. Remove the front pin on both sides.



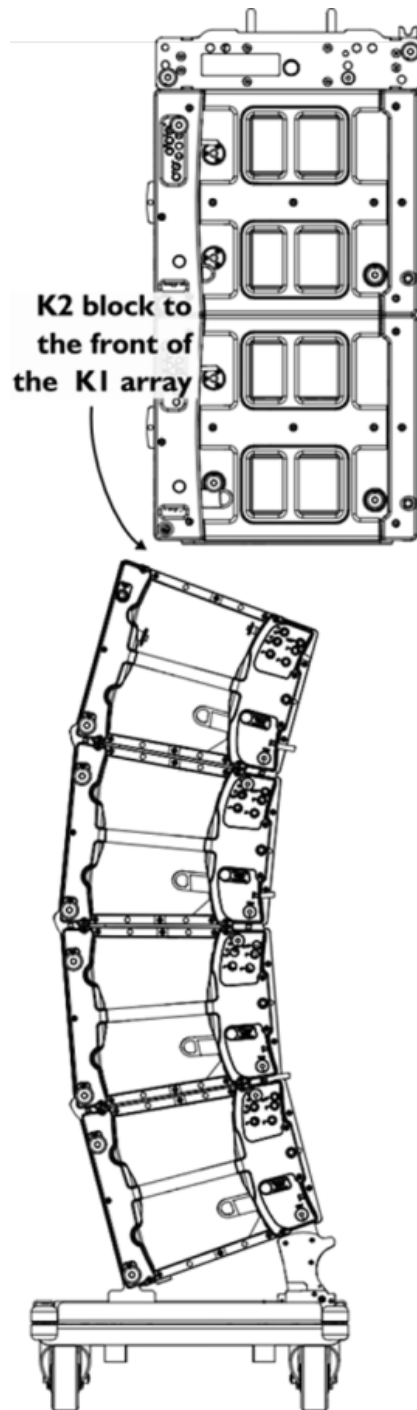
## K - Attaching a block of four K2 under a K1 system element

### Procedure

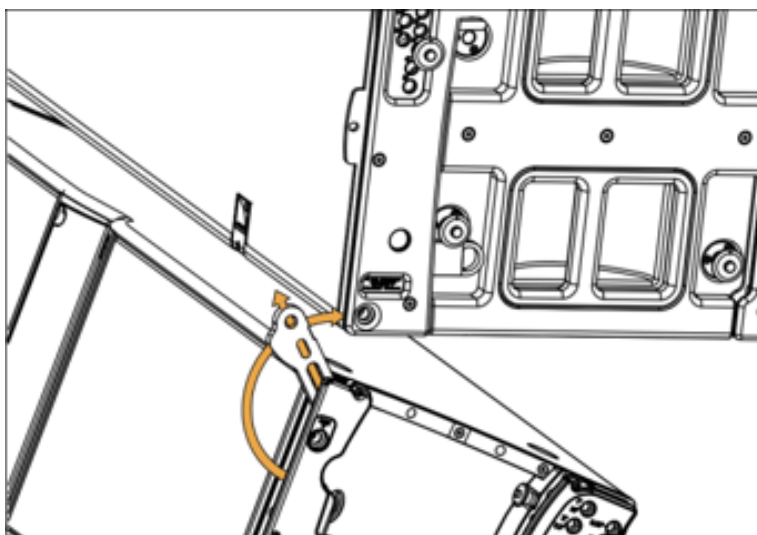
**!** K1 / K1-SB must always be on top of a K2 array.

**!** **Preset inter-enclosure angles**  
Preset the inter-enclosure angles before performing this procedure. Refer to [B - Preset the inter-enclosure angles](#) (p.75).

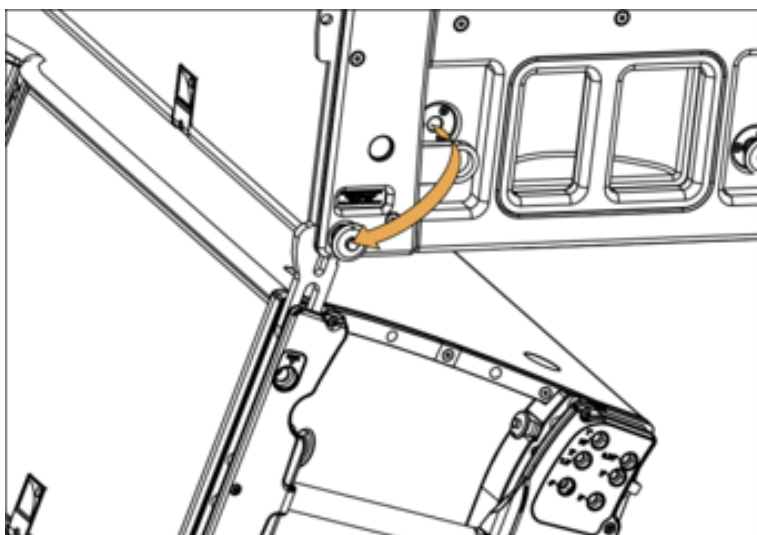
1. Attach the front rigging arm on both sides:



- a) Rotate the arm to align its hole with the K1/K1-SB rigging hole.



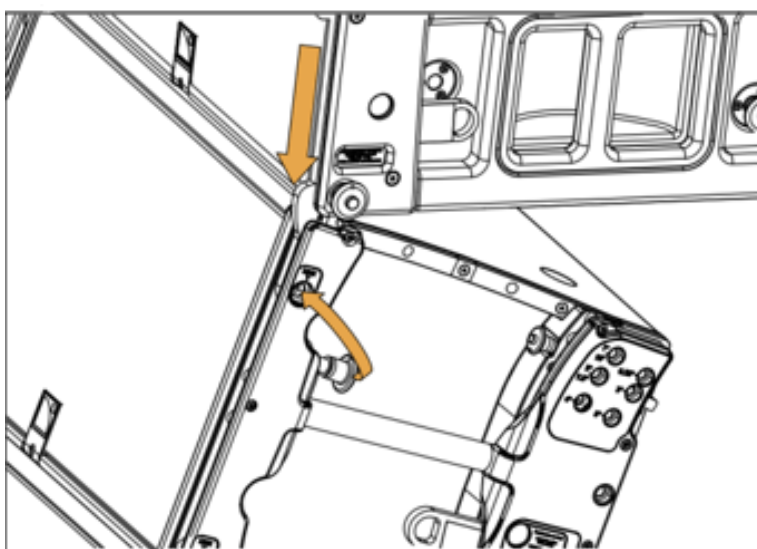
- b) Pin the arm on the flown array.



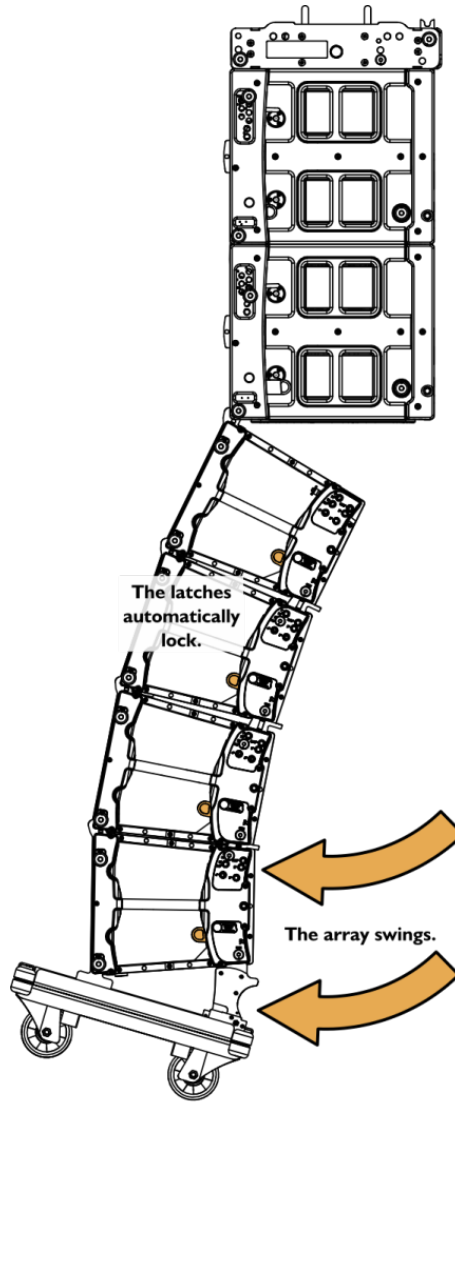
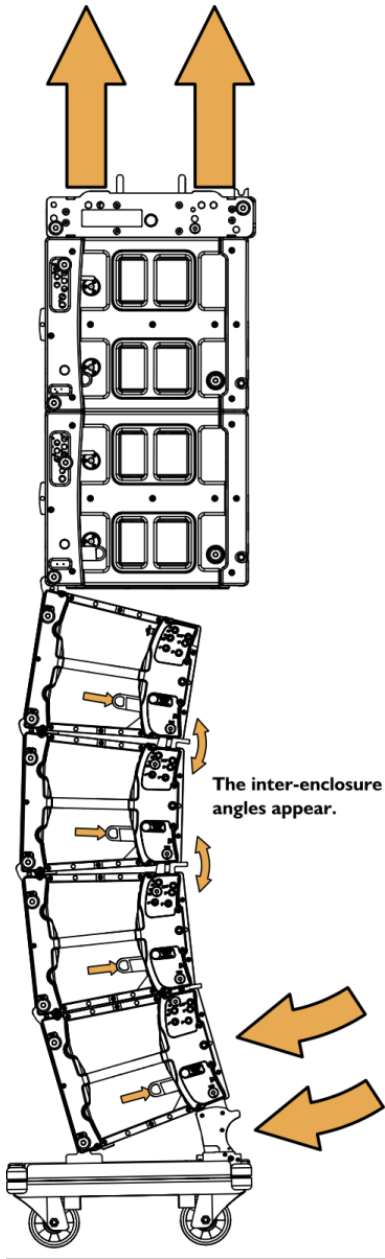
- c) Lower the flown array and secure the assembly with the LINK pin.



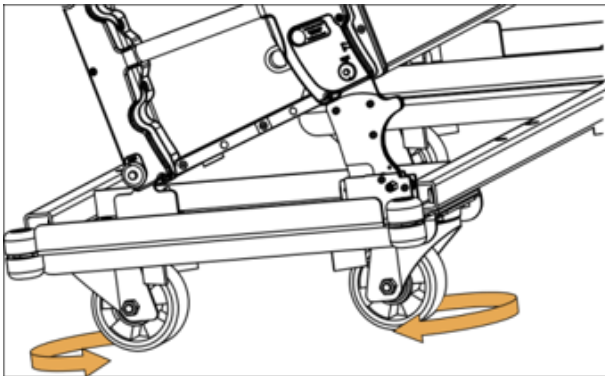
If you cannot insert the pin, move the flown array back and forth with enclosure handle.



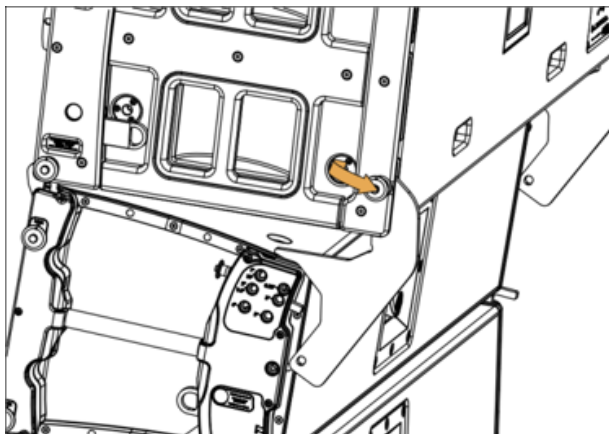
**2.** Raise the array to lock the inter-enclosure angles.



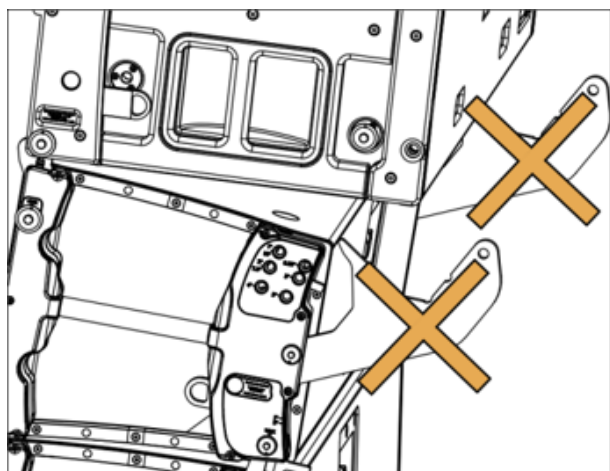
**3.** Turn the wheels inside the dolly.



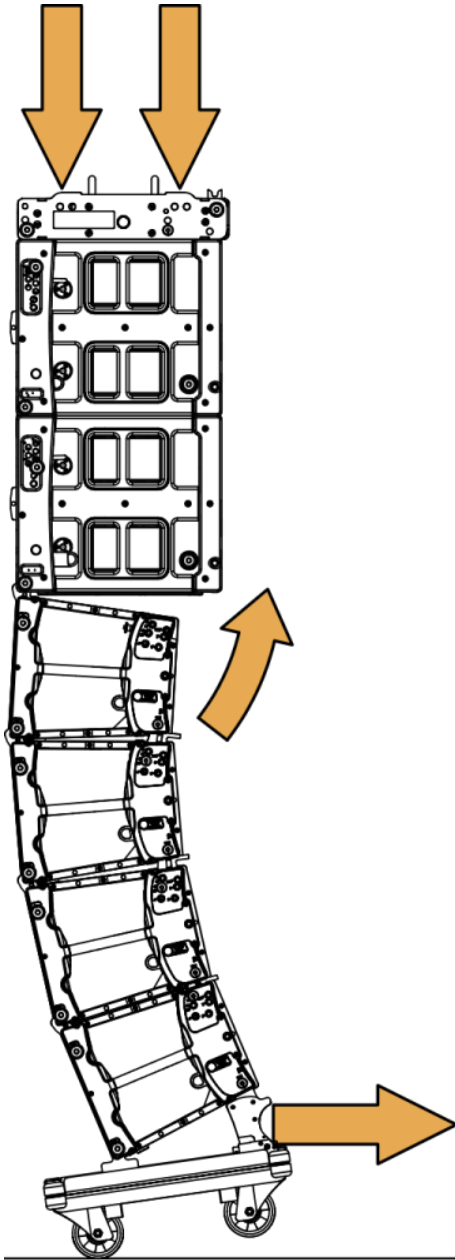
4. Connect the rear of the K1/K1-SB array to the rear of the K2 array with the K2-LINK interfaces:
  - a) On both sides, attach a K2-LINK at the back of the K1-SB enclosure.



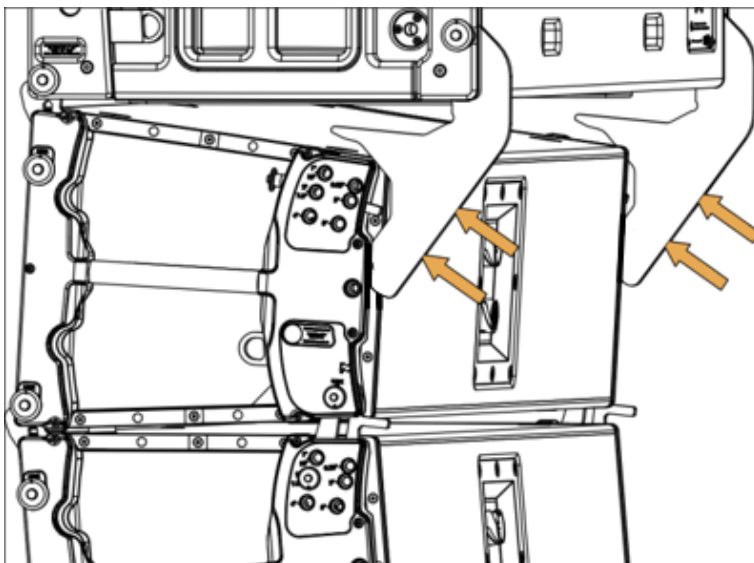
Do not pin K2-LINK on K2.



b) Pull back the bottom enclosures while lowering the array until only the front wheel touches the ground.



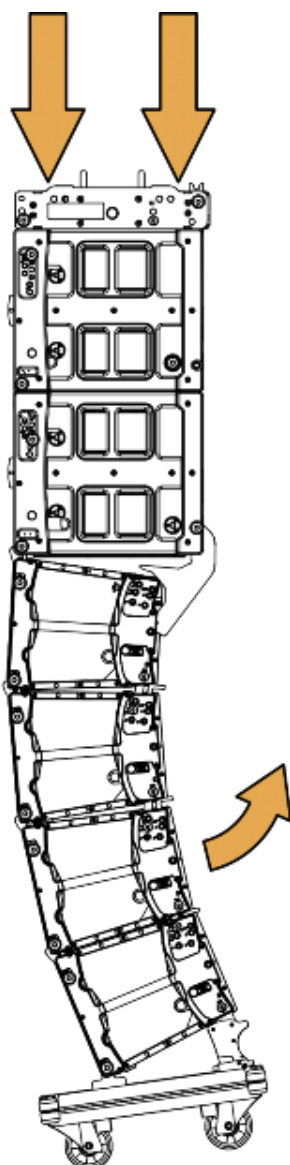
c) Push the K2-LINK into the K2 rear rigging.



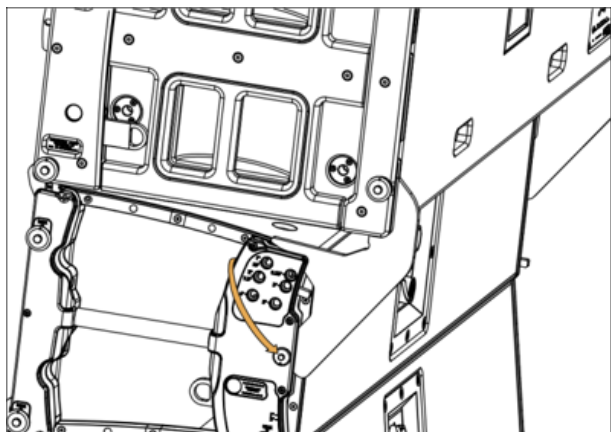
5. Lower the array until the hole of K2-LINK matches the K2 rigging middle hole.

**Risk of pinching**

Do not touch the K2-LINK while lowering the array.



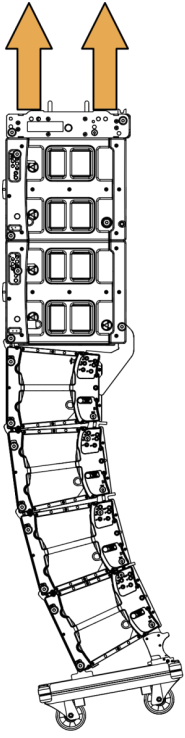
6. Secure the K2-LINK on the K2 rigging middle hole.



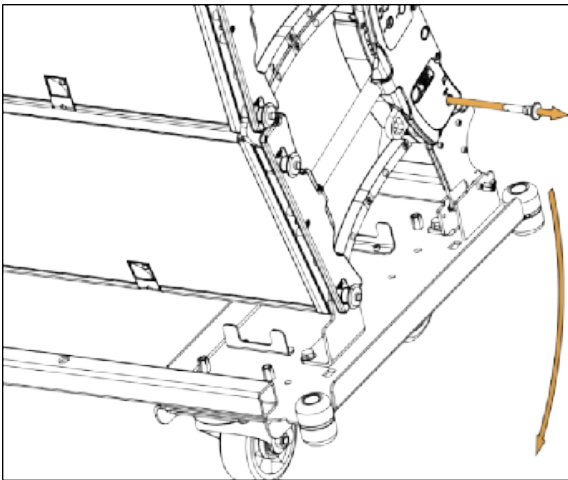


**7. Remove the K2-CHARIOT:**

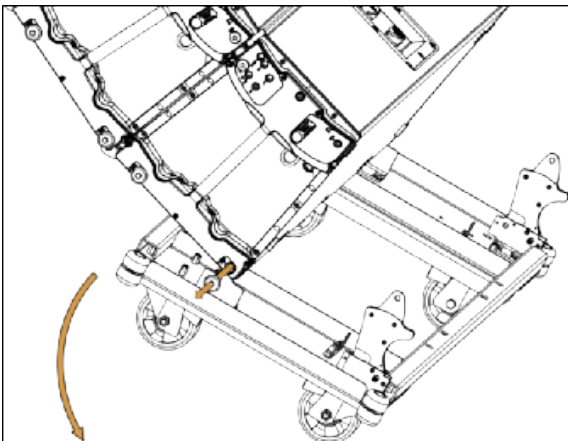
a) Raise the array.



b) Hold the dolly with one hand. Remove the back pin on both sides.



c) Hold the dolly with one hand. Remove the front pin on both sides.

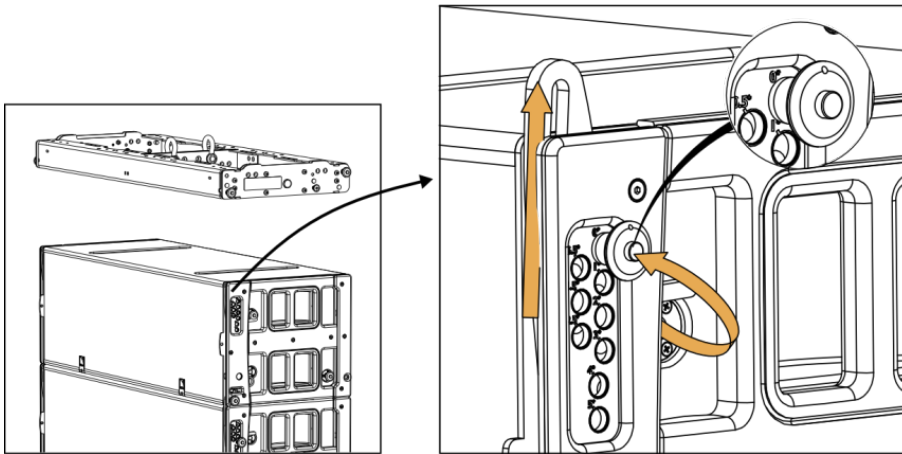




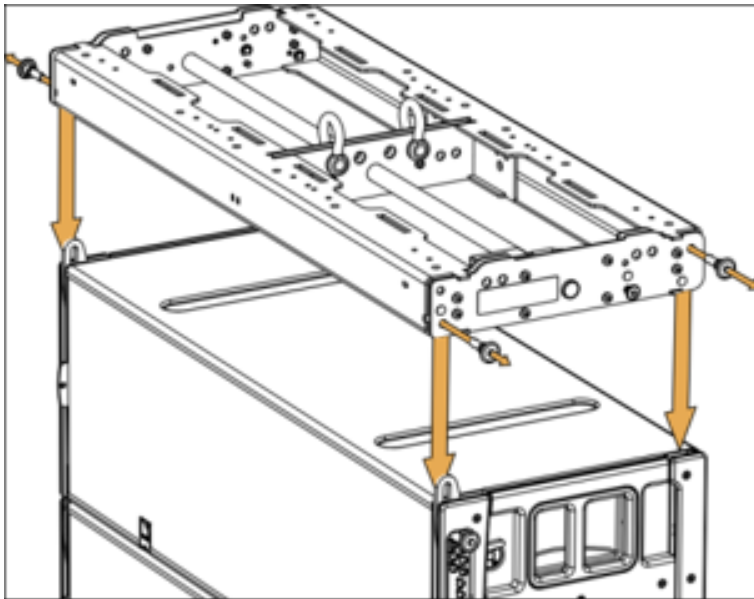
## L - Attaching K1 or K1-SB under K2-BUMP

### Procedure

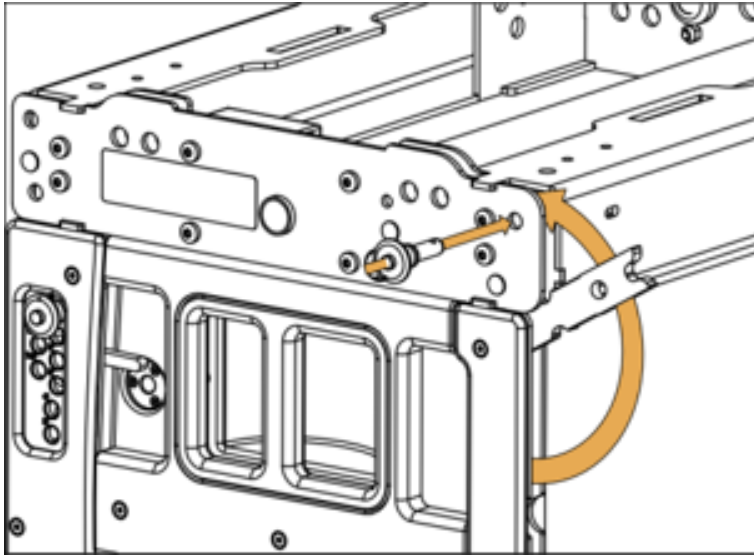
1. Slide out K1-SB front rigging arm and pin it at 0° on both sides.



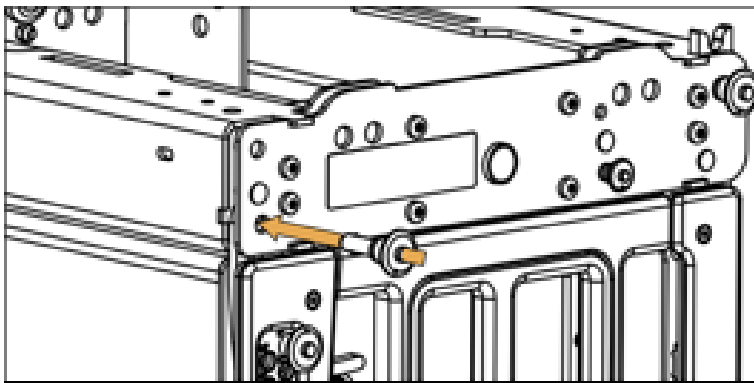
2. Attach the K2-BUMP to the K1 elements block:
  - a) Remove the K2-BUMP rear and front pins on both sides.  
Lower the K2-BUMP so it rests on the topmost enclosure.



b) Rotate the rear rigging arm and pin it on the frame.



c) Pin the front rigging arm on the frame.



## M - Mounting LA-RAK/LA-RAK II on K2-BUMP

### rigging accessory

K2-BUMP / LA-RAK/LA-RAK II

K2-RAKMOUNT (2 rails for 1 LA-RAK/LA-RAK II)

### tools

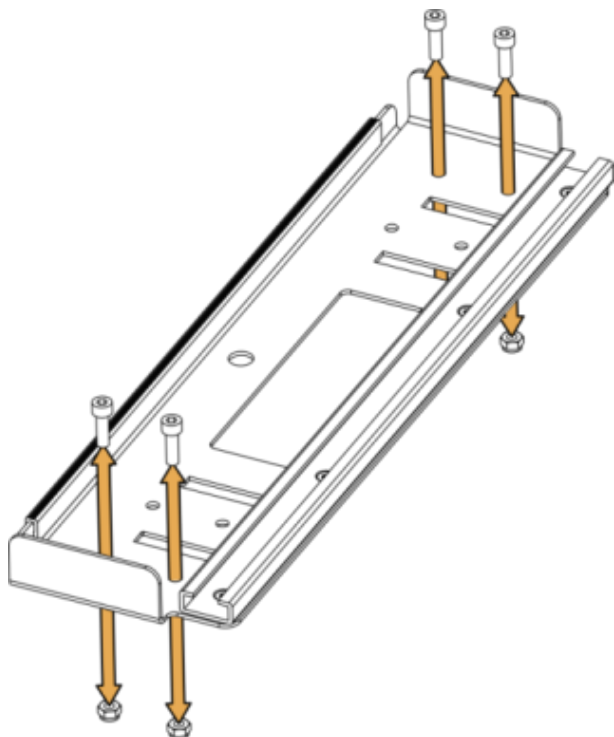
electric screwdriver with torque selector

6 mm hex bit

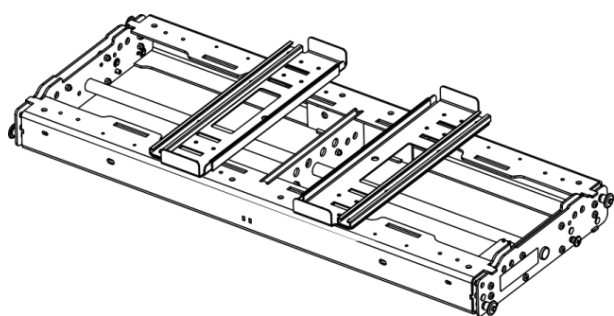
13 mm wrench

### Procedure

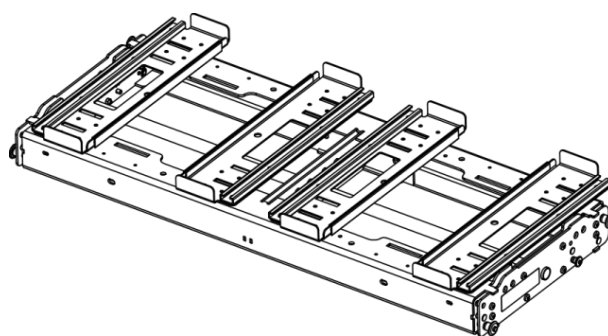
1. Remove the nuts and bolts from the K2-RAKMOUNT rails.



2. Position and secure as many rails as necessary on the K2-BUMP.



1 LA-RAK/LA-RAK II



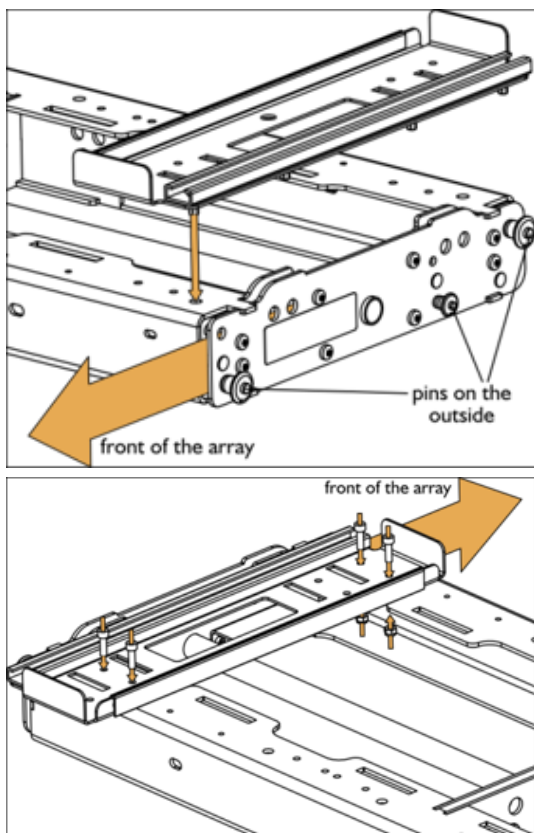
2 LA-RAK/LA-RAK II

**3.** Secure the rails on the K2-BUMP.

Set the torque to 5 N.m.



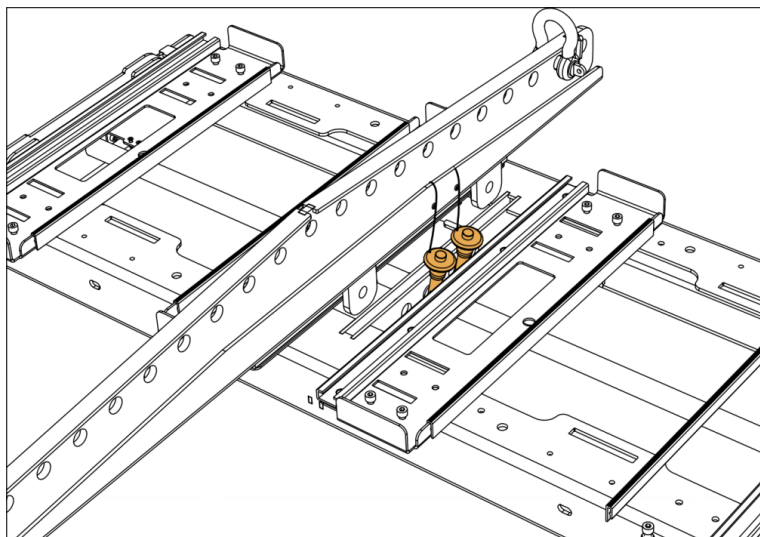
Before securing the side rails, make sure the frame pins are on the outside.



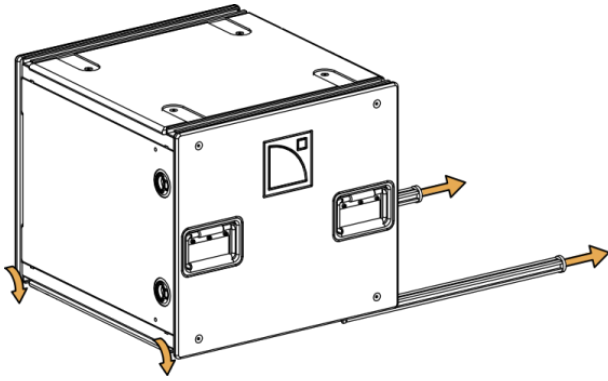
**4.** Install as many K2-BAR as necessary.



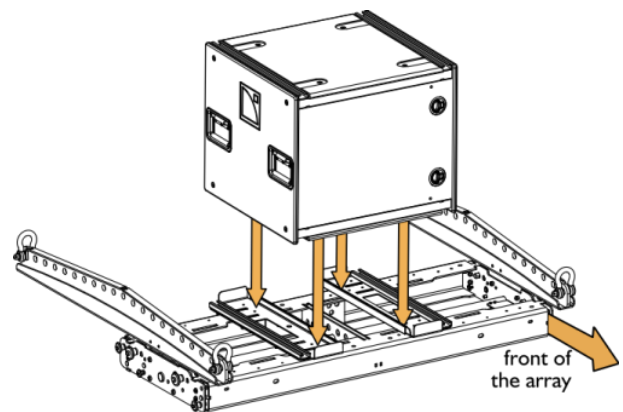
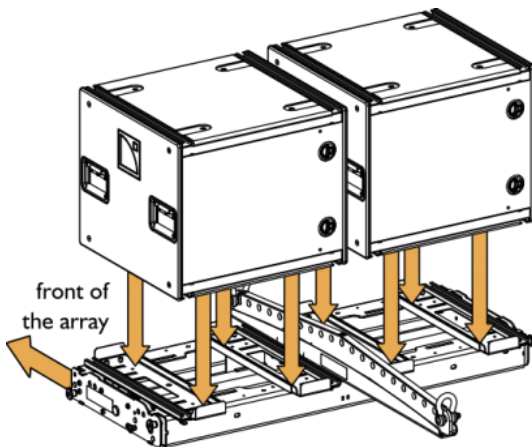
When installing a single K2-BAR at the center of the frame, make sure the pins are inserted between the central bar of the frame and the closest rail.



5. Remove the LA-RAK/LA-RAK II coupling bars:
- Turn the bars to release the spring-loaded safety and slide them out.



- Position the LA-RAK/LA-RAK II on the rails.



### Coupling bars

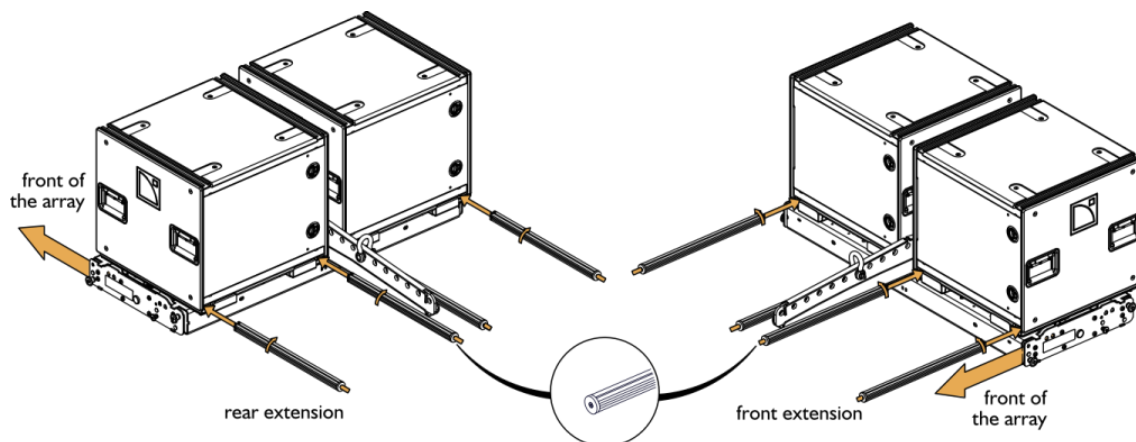
Insert the coupling bars:

- from the back for a negative angle (rear extension)
- from the front for a positive angle (front extension)

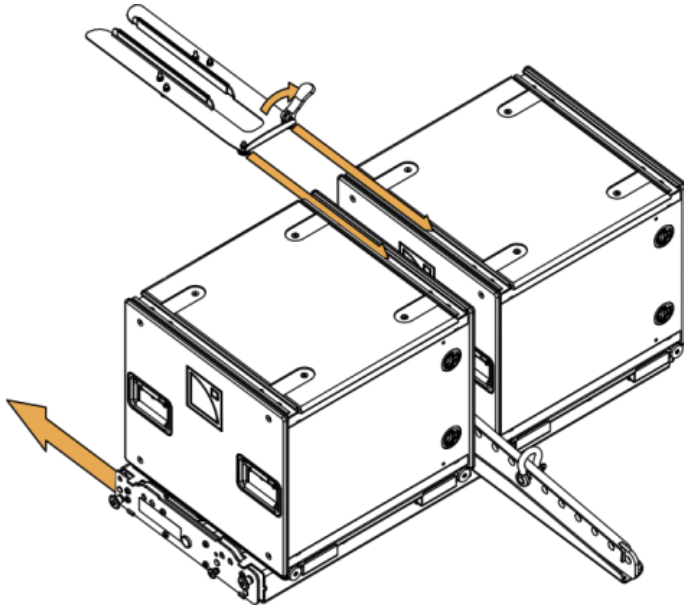
Always insert so the metallic safety is pointed upward (depending on the tilt angle).

- Secure the LA-RAK/LA-RAK II with the coupling bars.

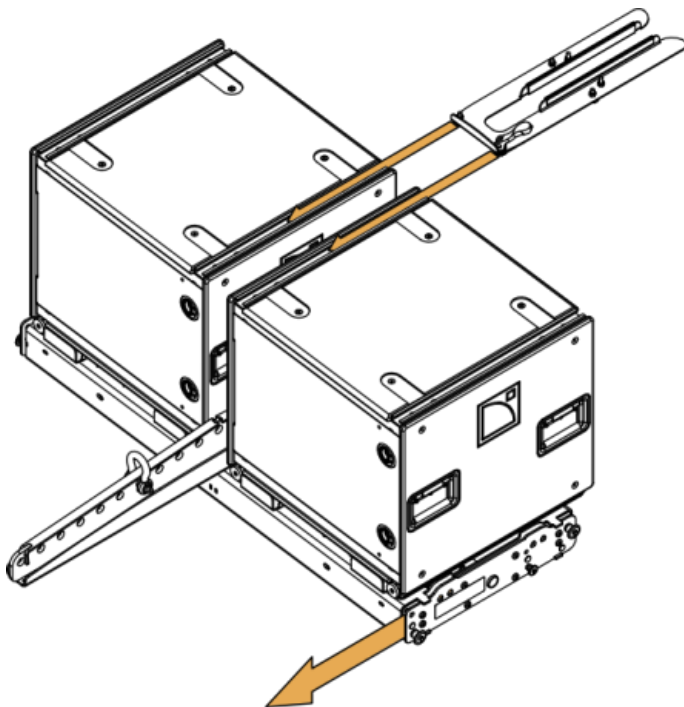
Insert the spring-loaded safety in the LA-RAK/LA-RAK II rails, give a quarter turn and slide the bar until the safety locks into place.



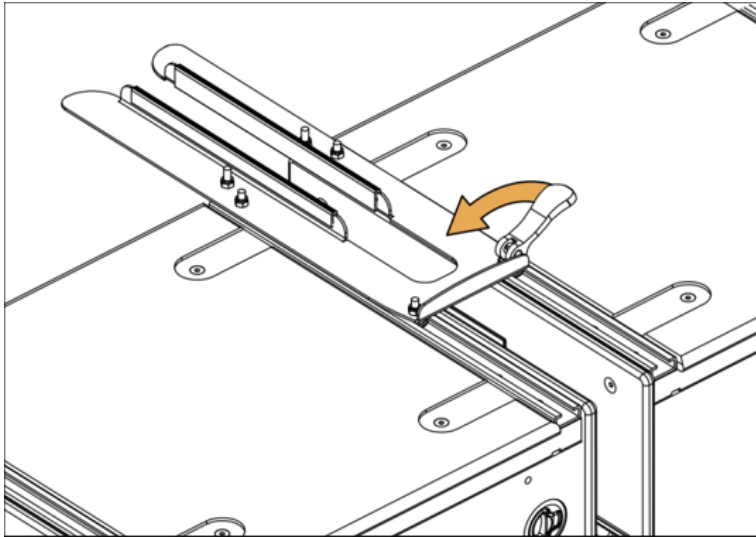
- 6.** If you are stacking 2 LA-RAK/LA-RAK II side-by-side on K2-BUMP, then insert the stabilizer between the two racks:
- a) Release the locking system by raising and turning the handle. Insert the stabilizer on the side opposite to the K2-BAR:
- From the front with a negative site angle (rear extension).



- From the rear with a positive site angle (front extension).



b) Secure the stabilizer by locking the handle.



## N - Using a K2-RIGBAR to implement a pullback

- ! Space between linking points**  
 The space between the two linking points used for this configuration must be aligned with the array pickup points. The deployment load-bearing lines must be parallel to each other.

### under K2-RIGBAR

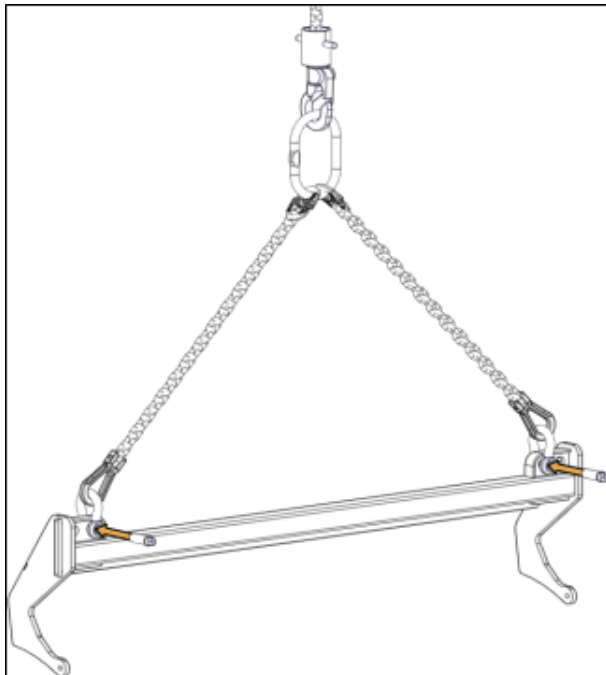


### under K2-BAR



### Procedure

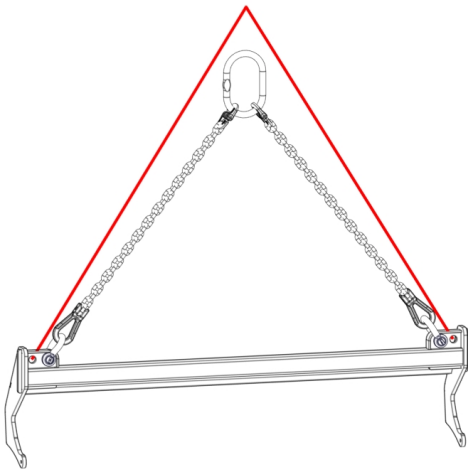
1. Hang the LA-SLING2T to the hook.  
**!** Make sure the chains are not twisted.
2. Attach the bar to the sling using the two 3.25 t WLL shackles. Use the interior holes of the bar.



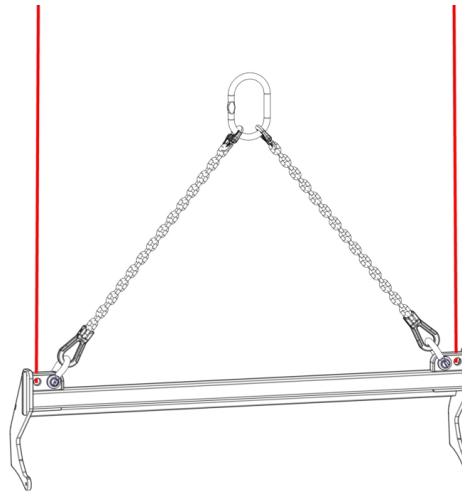
The external holes are dedicated to additional safety.



The additional safety must either be:



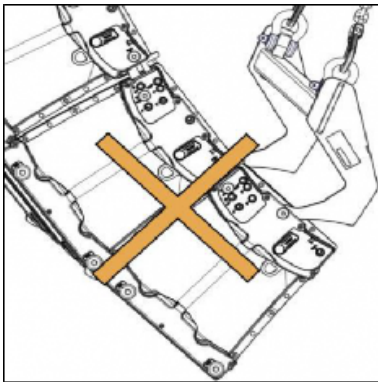
A two-leg bridle sling with a pickup point higher than the LA-SLING2T.



Two safety slings.



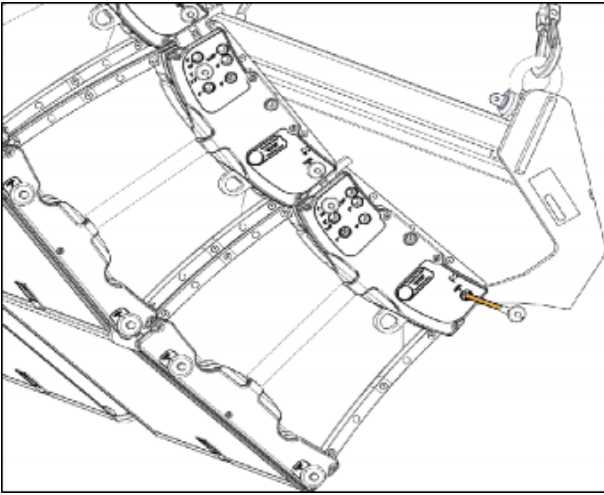
Do not use the rear rigging middle hole.



**3.** Attach the K2-RIGBAR to the bottom enclosure.



Use the rear rigging bottom hole.



4. Adjust the height of the pickup-point.



Do not raise the rear pick-up point above the front pick-up point.  
The chains must be as vertical as possible.



Under K2-RIGBAR



Under K2-BAR

## O - Rigging a Kara II downfill array under a K2 array

<b>Type of deployment</b>	flown array
<b>Rigging accessories</b>	KARADOWNK2
<b>Min number of operators</b>	2

### Assembly

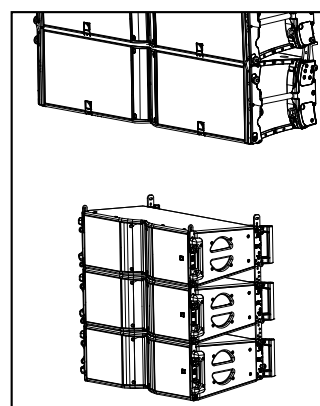
#### About this task

#### ! Reference rigging manuals

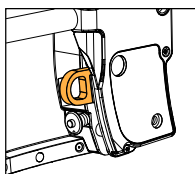
This procedure is complementary to the rigging instructions available in the main system rigging manuals. Refer to **the Kara II owner's manual** for more details.

#### Prerequisite

- Prepare and raise a K2 array. Refer to [A - Preparing a block of 4 K2](#) (p.71).
- Prepare an array of three Kara II with 0° inter-enclosure angles.
- Position the Kara II array under the K2 array.

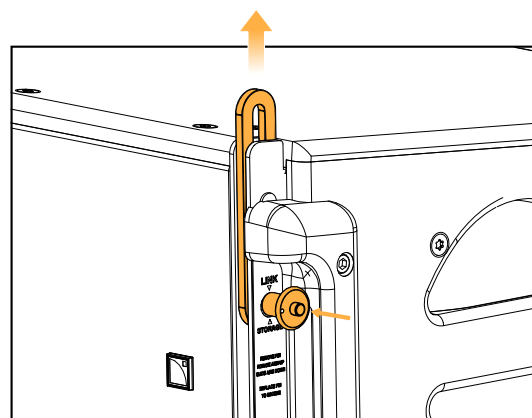
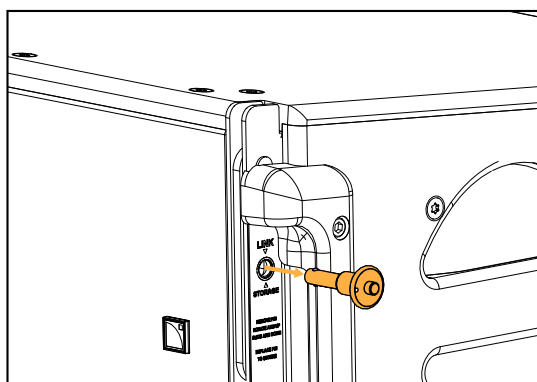


! Make sure the latches on the bottom K2 are in storage position.

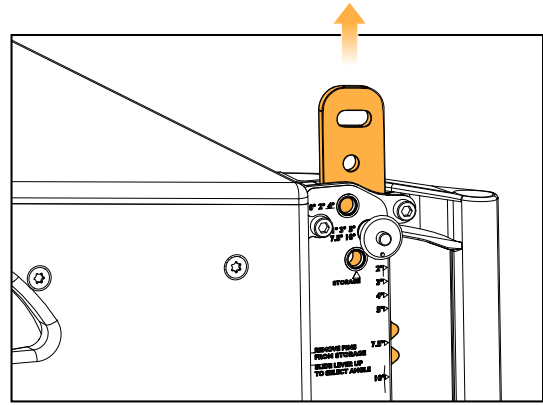
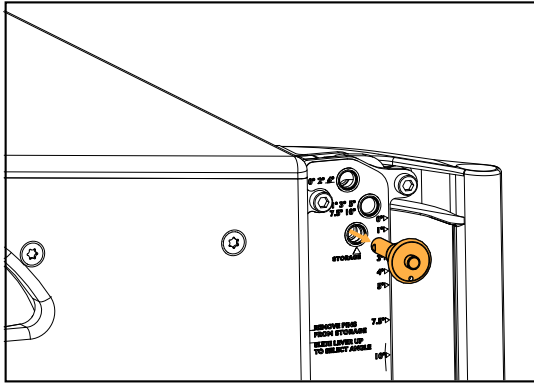


#### Procedure

1. Take out the four rigging arms on the top Kara II enclosure:
  - a) Lock the front rigging arms in linking position.



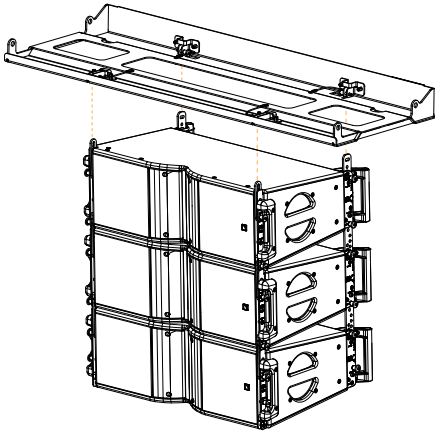
b) Slide up the rear rigging arms and select the same inter-element angle, from 0° to 10°.



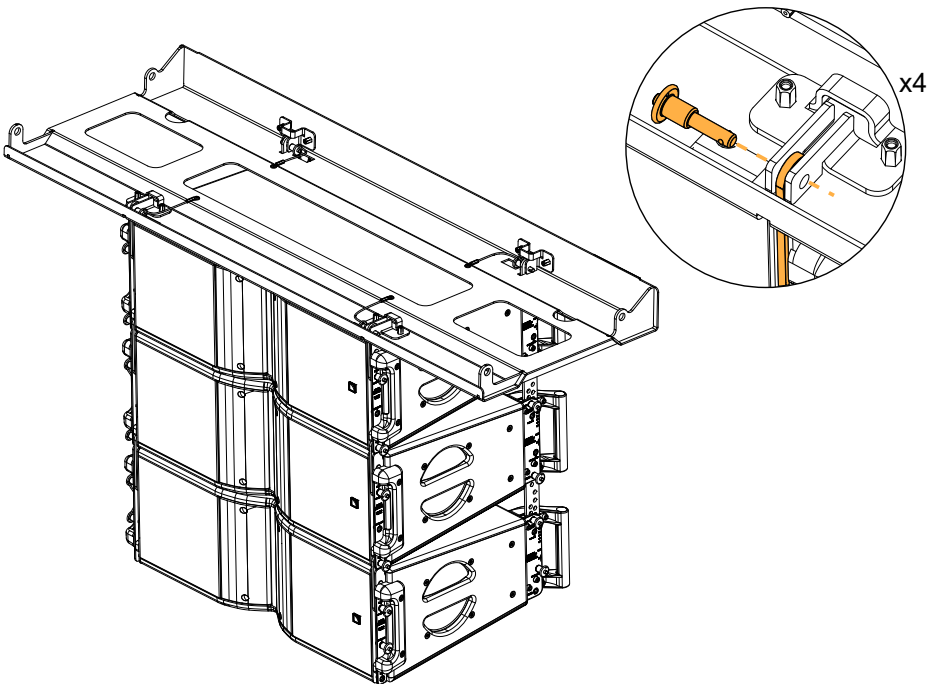
2. Secure a KARADOWNK2 on top of the Kara II array.



**Position the higher ledge at the rear.**

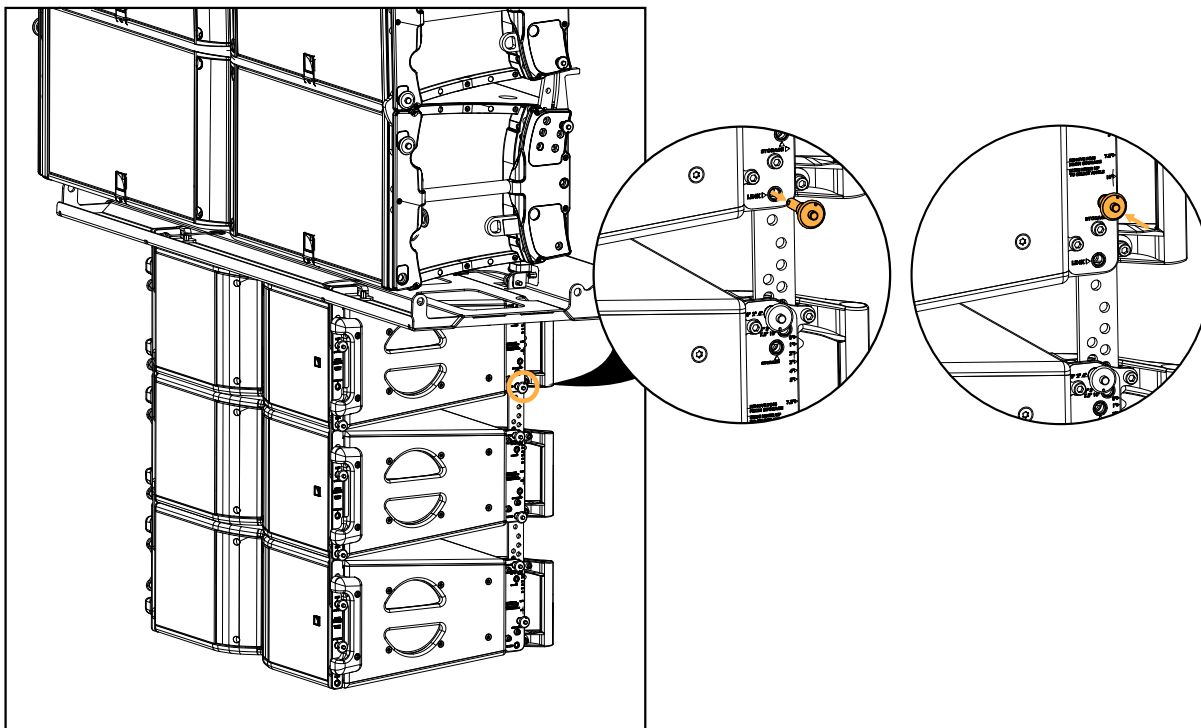


Secure the Kara II rigging arms inside the slits with the ball-locking pins.



3. Lower the K2 array as close as possible to the assembly without resting on it.

4. Disconnect the rear rigging between the two top Kara II enclosures.



**Risk of crushing injury.**

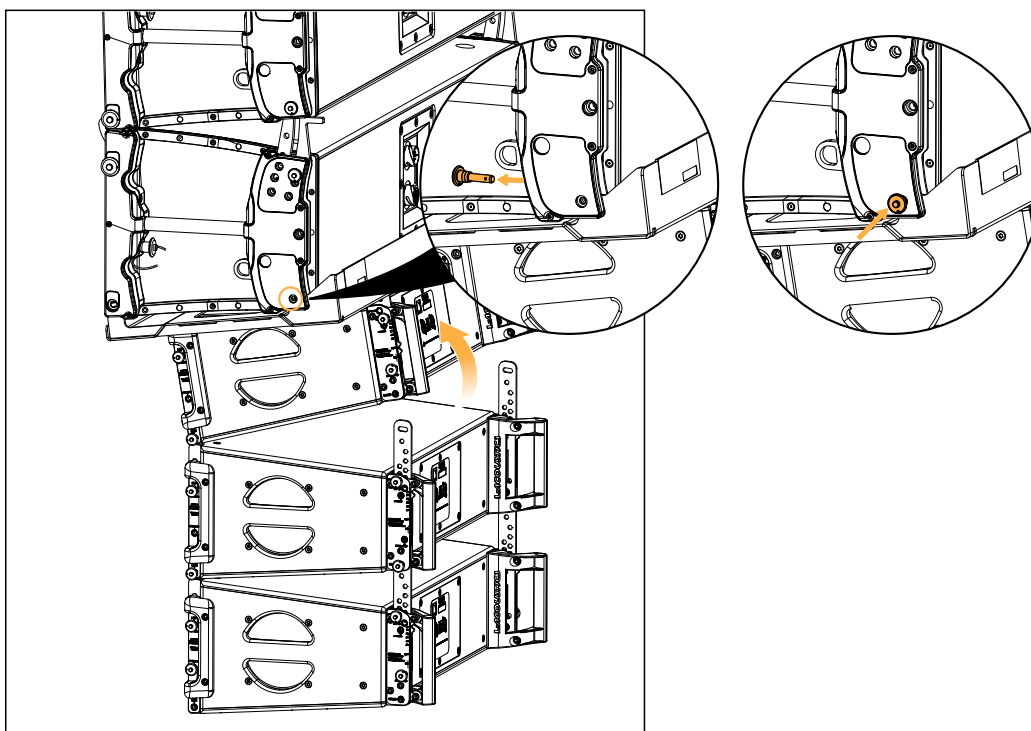
Keep fingers away from the contact area between the ledge and the cabinet.



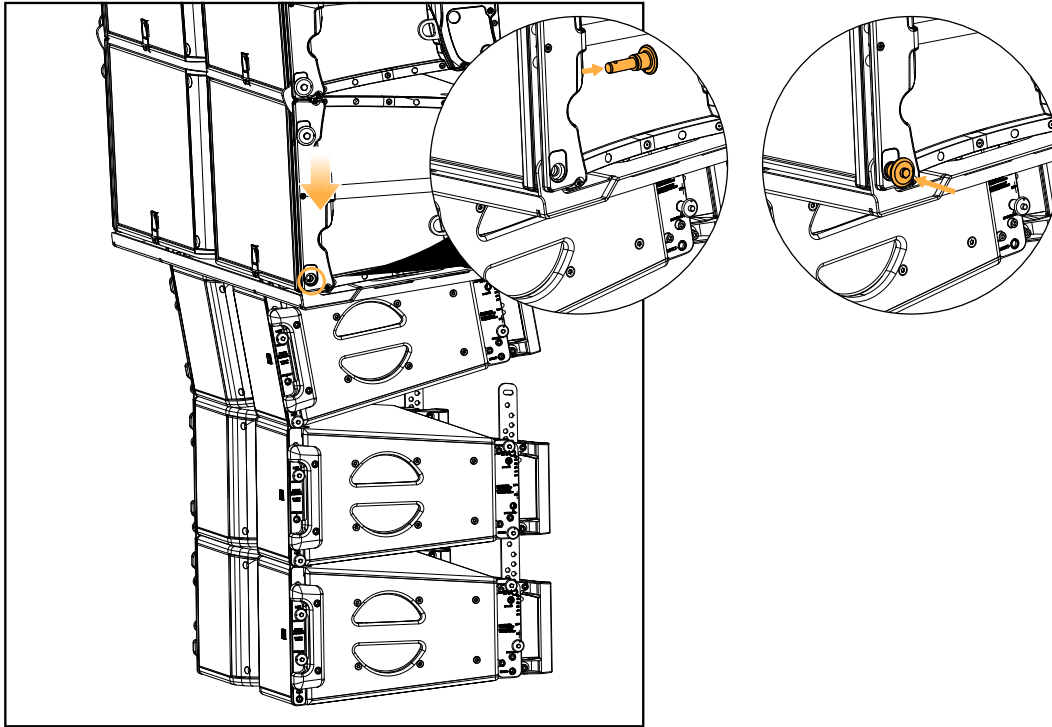
**Risk of cable damage.**

Disconnect any cable from the K2 bottom connector.

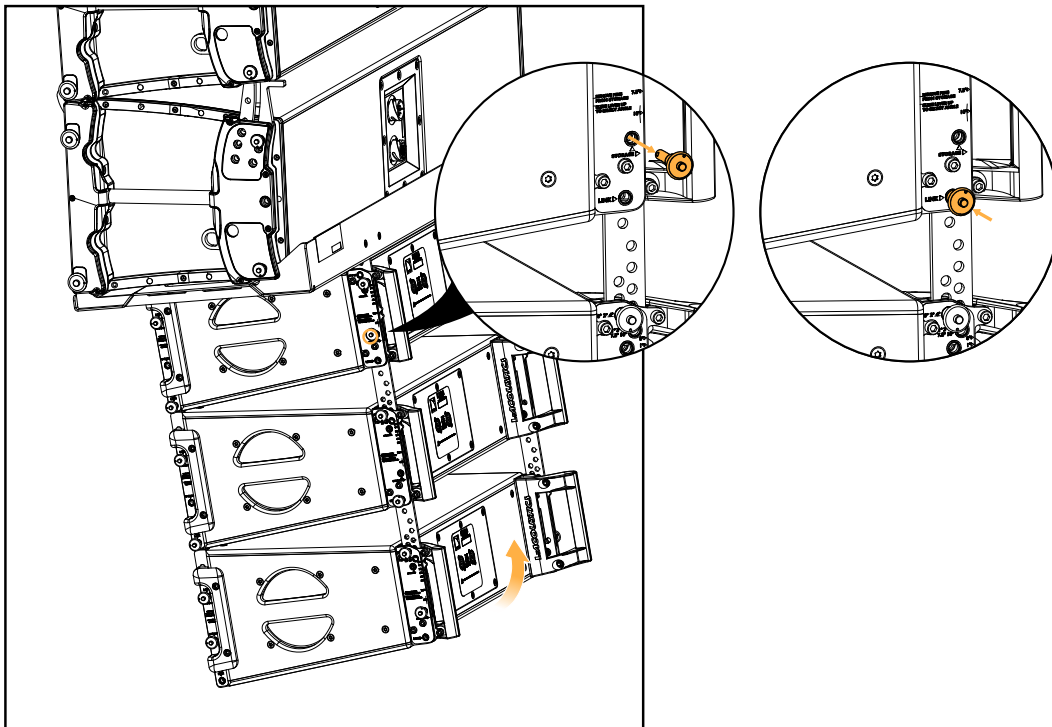
5. Connect KARADOWNK2 to the bottom of the K2 array:  
 a) Rotate the top Kara II upwards and secure the rear KARADOWNK2 tabs to the K2 rigging.



- b) Secure the front KARADOWNK2 tabs to the K2 rigging.  
Slightly lower the K2 array if necessary.



- c) Reconnect the top Kara II at the rear to the assembly.



6. Raise the array.



**Do not implement a pullback on a K2 array with a Kara II downfill.**

7. Set the inter-enclosure angles.



Refer to the **Kara II owner's manual**.

## Connection to LA amplified controllers

**!** Refer to the **Amplification reference** technical bulletin for the latest information on compatibility with amplified controllers and cabling schemes for all enclosure types.

### Enclosure drive capacity per amplified controller

Make sure the total number of connected enclosures does not exceed the maximum number of enclosures per controller (refer to the footnotes).

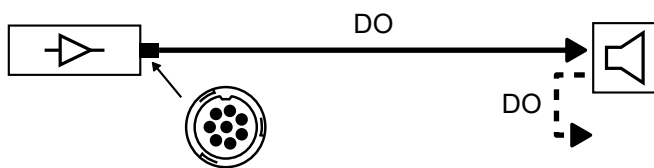
	<b>LA4X</b>	<b>LA12X</b>
	<b>per output<sup>*</sup> / total</b>	<b>per output<sup>*</sup> / total</b>
K2	1 / 1	3 / 3
Kara II	2 / 4	3 / 6
K1-SB	-	1 / 4

### Cabling scheme for K2

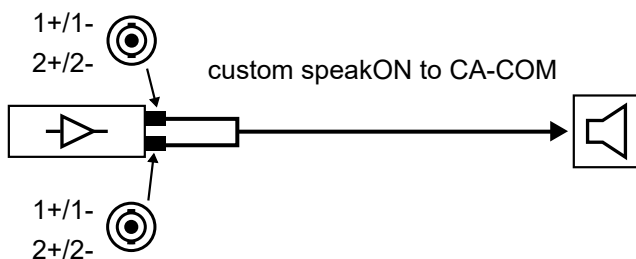
Refer to the cabling schemes to connect the enclosures to different types of output connectors.

**i** L-Acoustics does not supply the speakON-to-PA-COM interface. It must be built with two 4-point speakON connectors and a female 8-point PA-COM connector (no cable clamp).

#### Four-channel CA-COM output



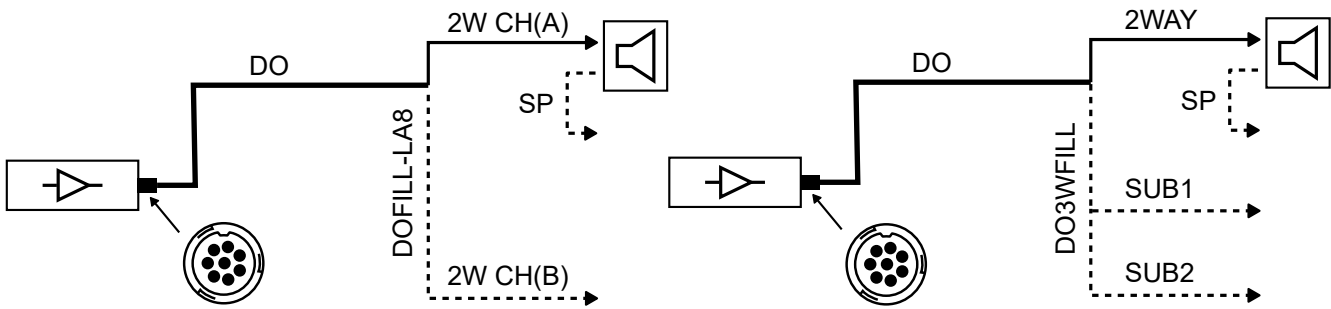
#### 2 x Two-channel speakON output



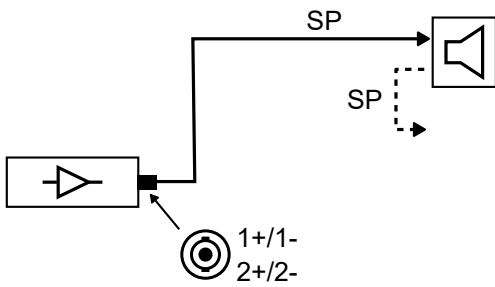
\* For passive loudspeakers, the value corresponds to the number of enclosures in parallel on the output. For active loudspeakers, the value corresponds to the number of sections in parallel on the output.

## Cabling scheme for Kara II

### Four-channel CA-COM output

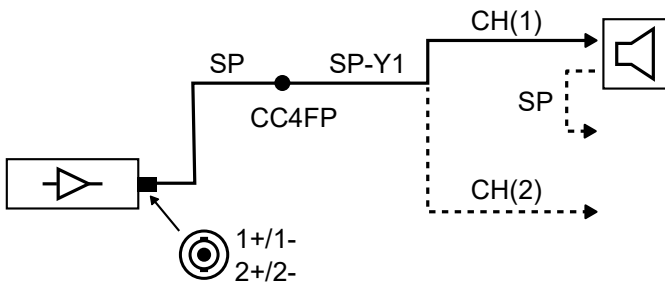


### Two-channel speakON output

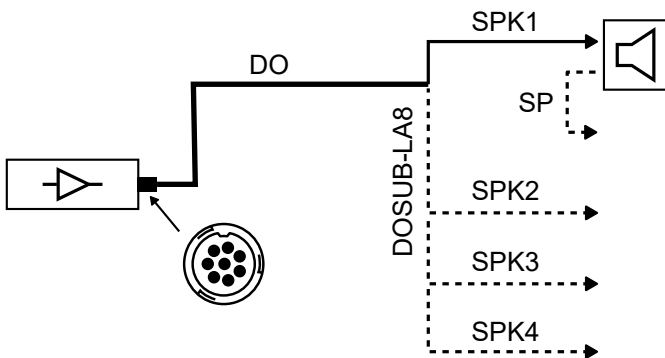


## Cabling schemes for K1-SB

### Two-channel speakON output



### Four-channel CA-COM output





## Corrective maintenance



### Kara II and KS28

Refer to the **Kara II owner's manual** and the **KS28 owner's manual** for more information on the corrective maintenance.

## Introduction

---

This section contains the following maintenance procedures:

### K2

- [D/R - Grill](#) (p.134)
- [D/R - Variable directivity fins](#) (p.138)
- [D/R - LF speaker](#) (p.143)
- [D/R - MF speaker](#) (p.144)
- [D/R - Connector plate](#) (p.145)
- [D/R - HF driver](#) (p.148)
- [D/R - HF driver diaphragm](#) (p.151)
- [Temporary measure for K2 rear and front rigging pins](#) (p.153)

### K1-SB

- [D/R - Grill](#) (p.156)
- [D/R - LF speaker](#) (p.157)

For advanced maintenance, contact your L-Acoustics representative.

## Tools and consumables

Before performing maintenance on this product, make sure all the tools listed are available. References are given for FACOM® products in this table. Other manufacturers can be used.

<b>name</b>	<b>reference</b>	<b>distributor</b>
torque screwdriver (2 - 10 N.m) *	A.404	FACOM
set of 6-point 1/4" sockets *	RL.NANO1 / R.360NANO	FACOM
screwdriver extension *	-	-
4 mm hex bit - spherical head *	ETS.104	FACOM
3 mm hex wrench	-	-
flat screwdriver *	AEF.3X75	FACOM
blue threadlocker **	-	-
flat plastic tool	-	-
double face adhesive tape	-	-
compressed air blower	-	-



\* included in the L-Acoustics Maintenance Toolcase.




\*\* in repair kit KR LOCKBLUE.

## Maintenance Toolcase

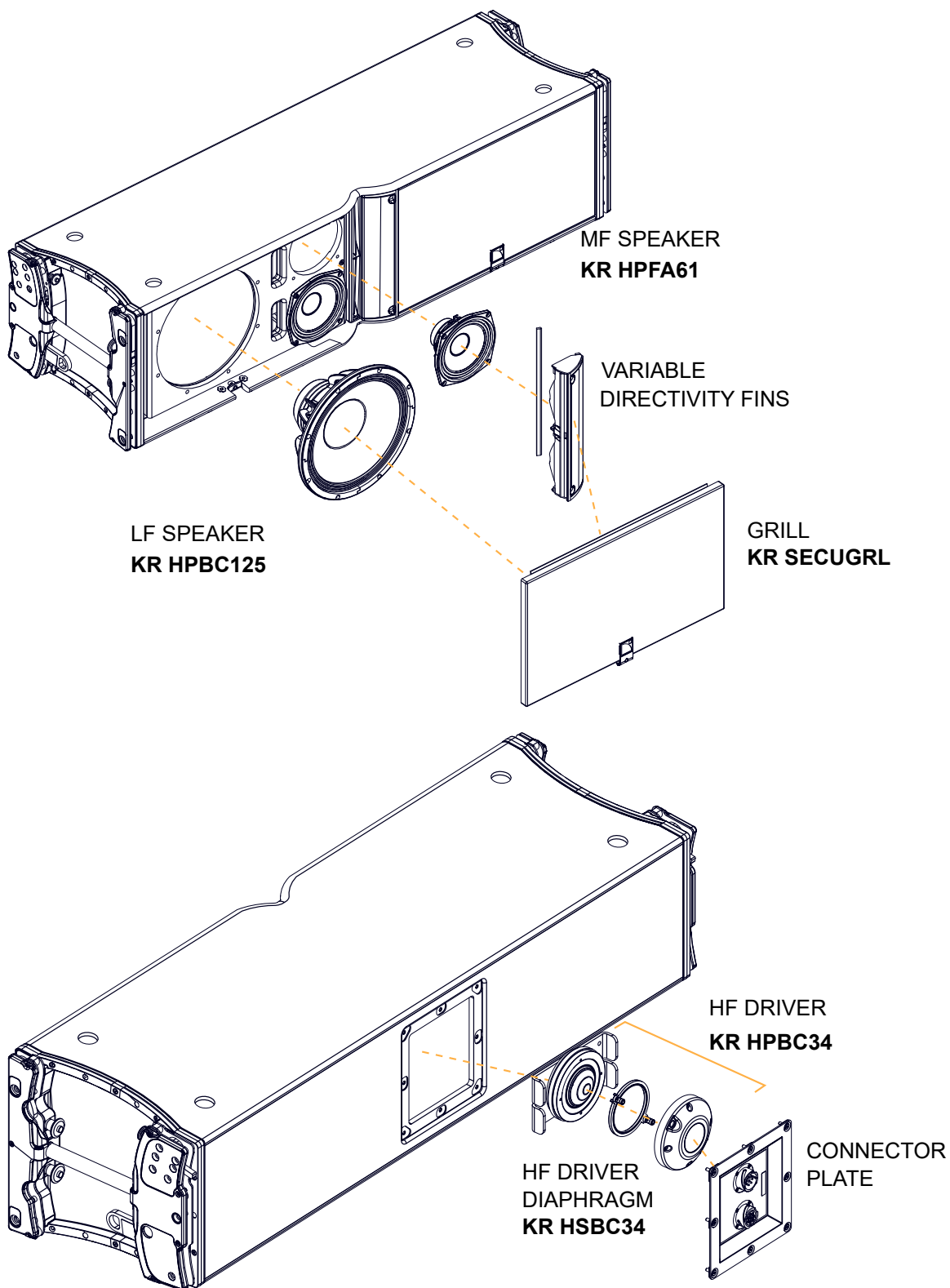
The Maintenance Toolcase is a carry-on suitcase that includes all the tools required to perform maintenance on L-Acoustics products. This toolcase is aimed at Certified Providers.

The Maintenance Toolcase uses a Peli™ 1510 Protector case that features three pre-cut layers of foam to safely fit the tools. The Maintenance Toolcase includes tools manufactured by FACOM®, Fluke®, Tohnichi, ABUS, and Würth.

 All third-party trademarks, registered trademarks, or product names are the property of their respective owners.

**K2****Exploded views**

In order to operate, follow the order outlined here.



## D/R - Grill

### Tools

- torque screwdriver
- 4 mm hex bit
- grill safety tool (provided)
- flat screwdriver

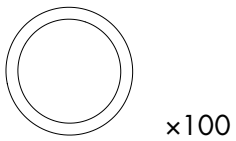
### Consumables

- blue threadlocker

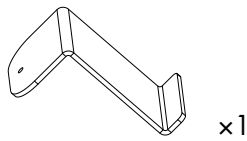
### Repair kit

#### KR SECUGRL

Kit 100 safety O-rings for front grill



100557  
grill safety O-ring



100226  
grill safety tool

### Prerequisite

The enclosure is placed on its top.

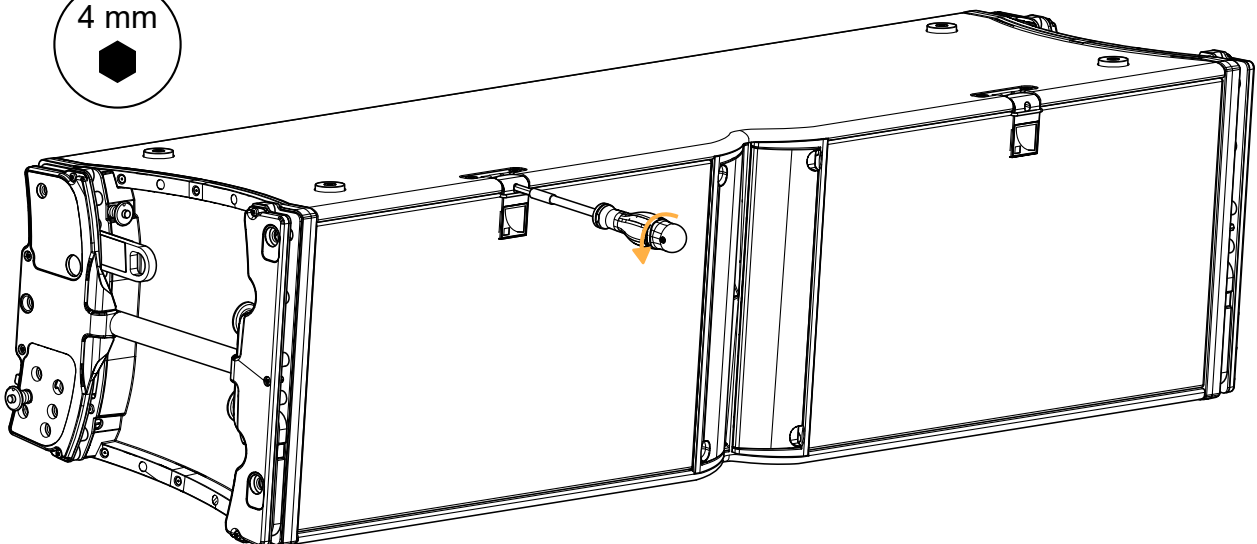
### Disassembly

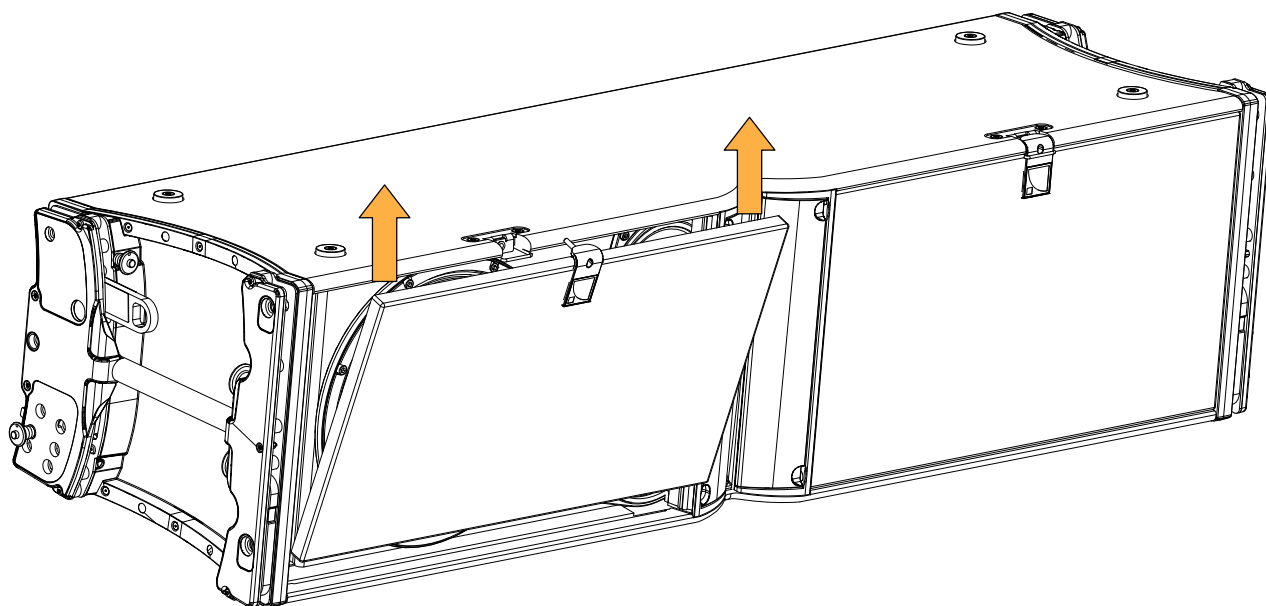
#### Procedure



If the grill is secured with an O-ring, pull it down before removing the grill.

1. Loosen the captive screw of the grill mounting bracket.



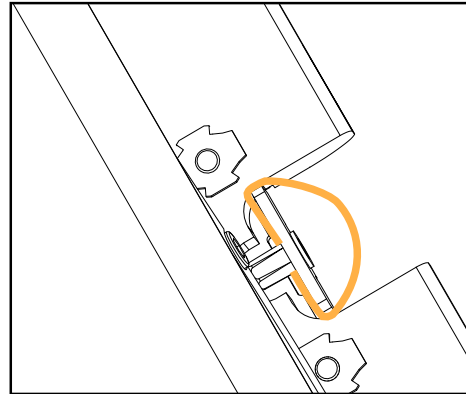
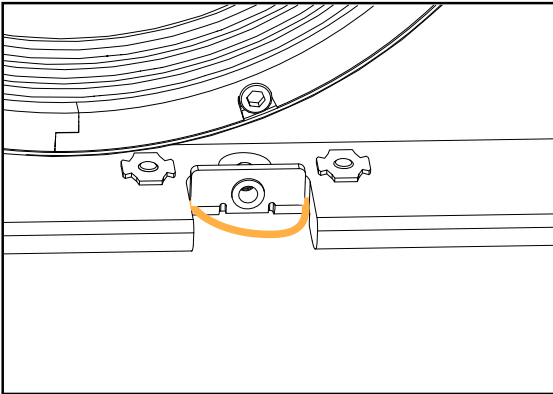
**2. Remove the grill.**

## Reassembly

### Procedure

1. Slide the O-ring under the captive screw insert.

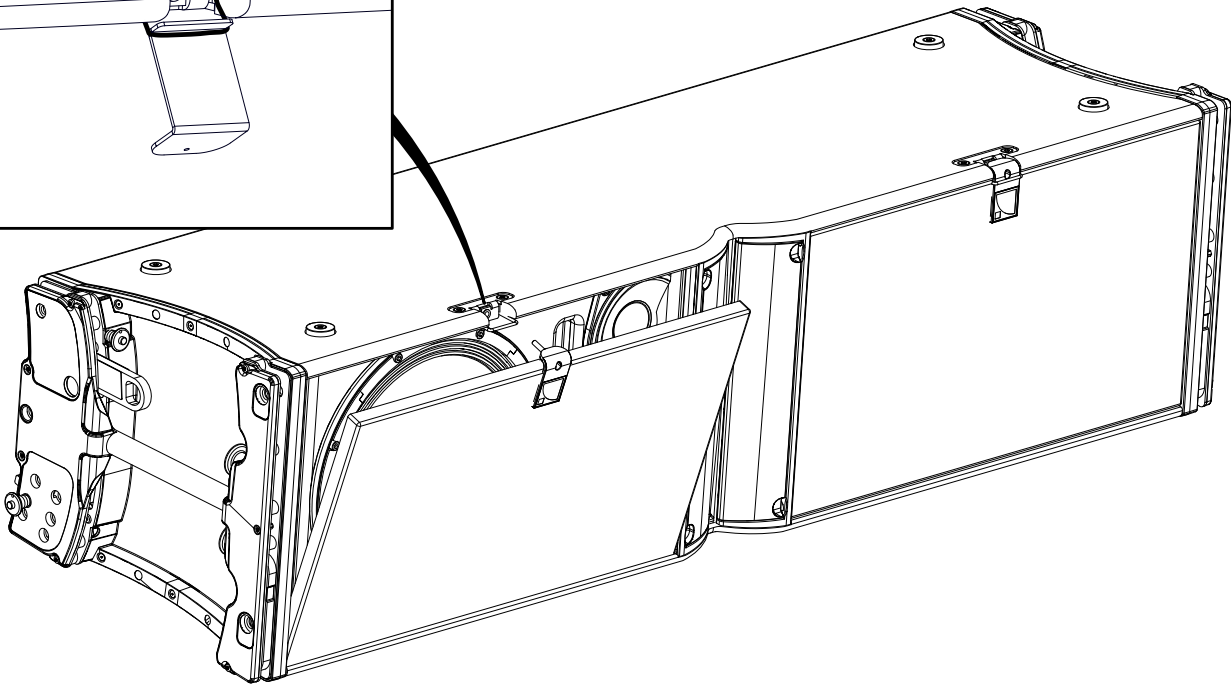
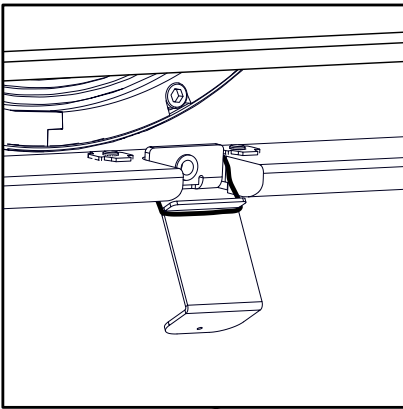
Use a flat screwdriver to push the O-ring under the insert.



2. Apply blue threadlocker on the captive screw.

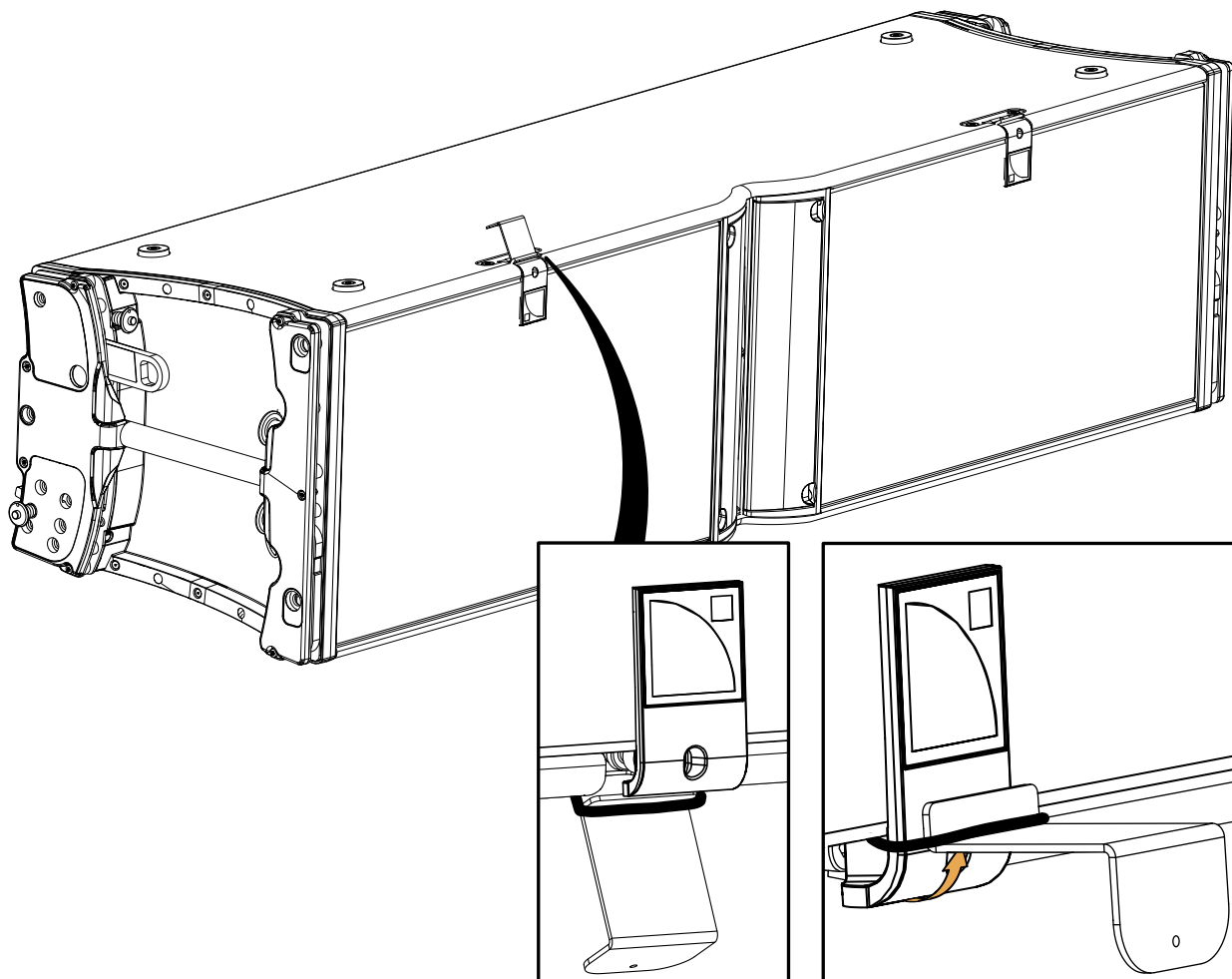
3. Insert the top of the grill.

Stretch the O-ring with the tool provided in the KR.

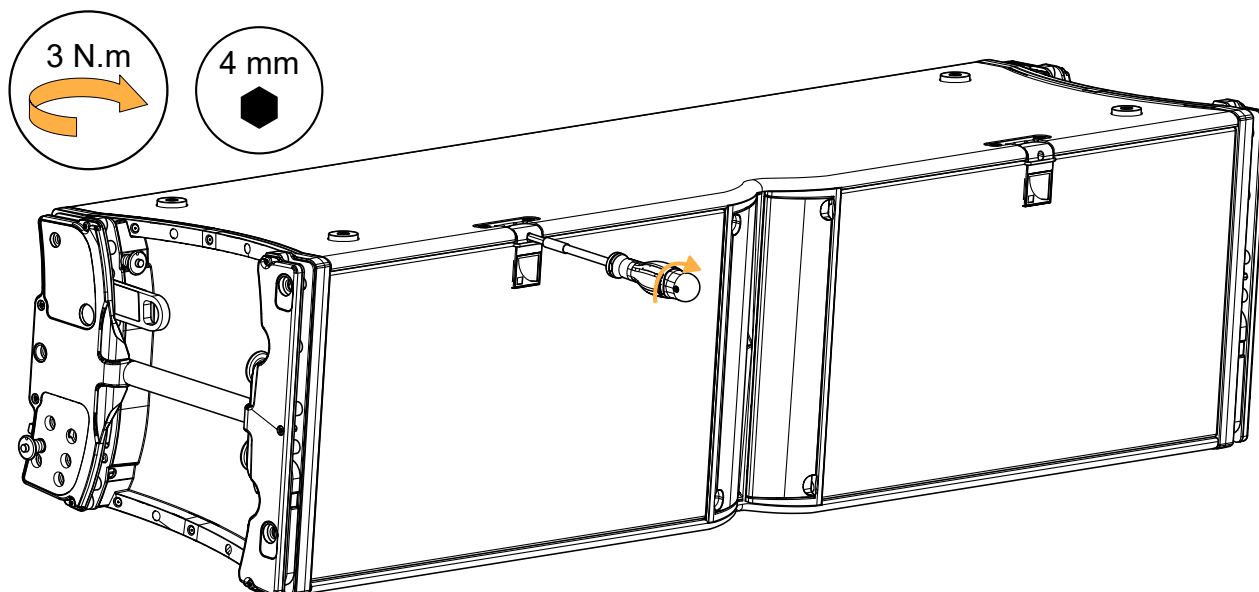


**4.** Close the grill.

Pull the O-ring so it goes around the grill logo and above the captive screw.

**5.** Secure the grill with the captive screw.

Use the 4 mm hex bit and set the torque to 3 N.m.



## D/R - Variable directivity fins

### Tools

- torque screwdriver
- screwdriver extension
- 4 mm hex bit - spherical head
- flat plastic tool

### Repair kit

#### KR HPFA61

Kit HP FA61 Driver 6.5" - 8 ohms



x4

S100108

M5x45 hex



x4

S321

washer with gasket



x1

1396

dust cover gasket

### Prerequisite

Grill removed.

See [D/R - Grill](#) (p.134).



## Disassembly

### About this task

**!** Use a flat tool made of **smooth plastic** to avoid scratching the fins.

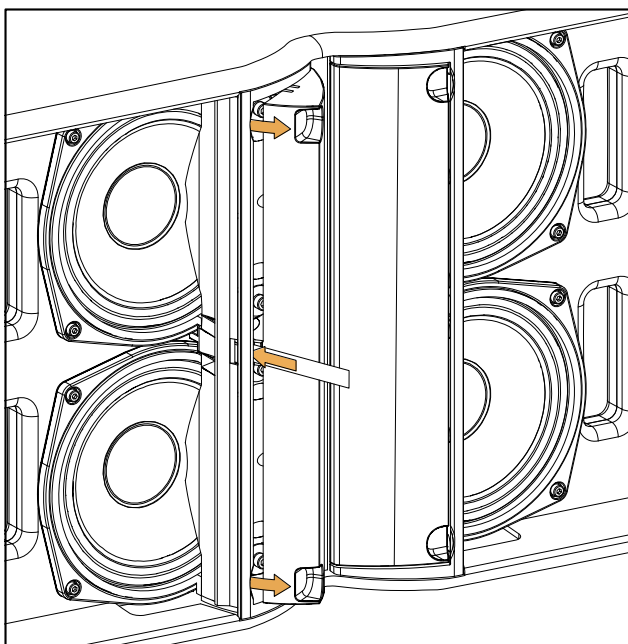
### Procedure

**!** **Risk of breaking the fin hook**

Always use a flat tool to unhook the fin hook.

If there is resistance, check the fin hook again, and do not force the fin open.

1. Unhook the fin center hook with a flat plastic tool to open the fin.

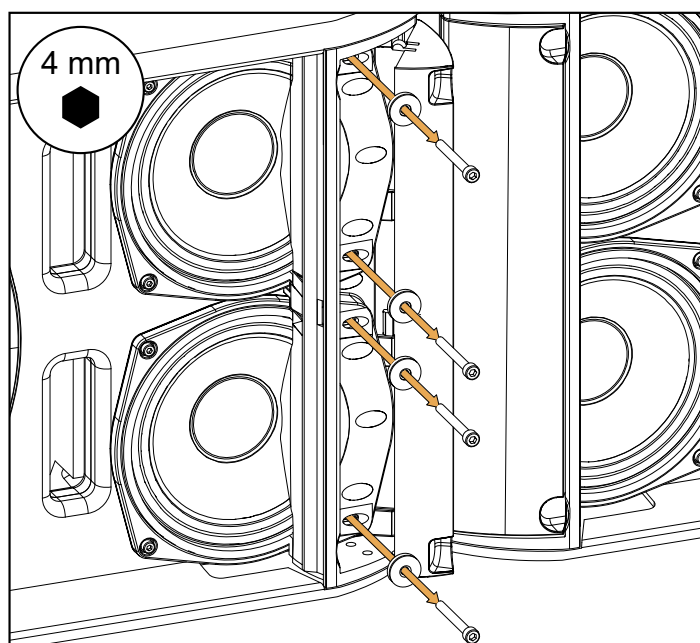


**!** **Risk of breaking the fin hinge**

Carefully open the fin to access the screws. Stop when there is resistance.

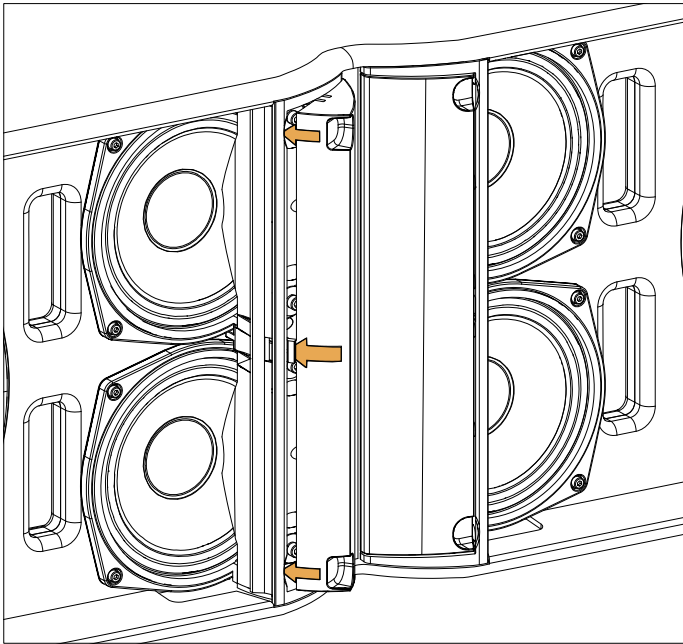
2. Remove the four screws and washers.

Use a screwdriver extension and a 4 mm spherical head bit to access the screws through the opening.



**!** Close the fin before handling it to protect the fin hinge.

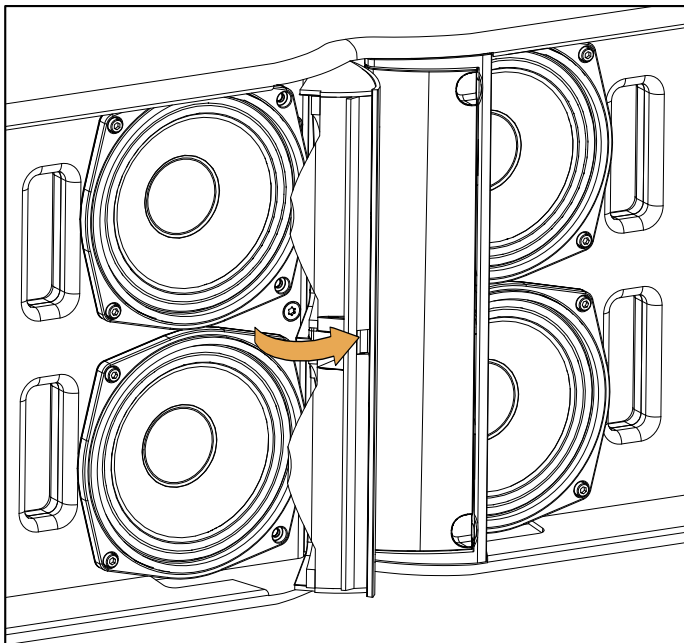
**3.** Close the fin by applying pressure toward the center hook.



**4.** Push firmly or tap on the fin to retract it.

At this point, the medium driver can be accessed without removing the fin completely, to avoid damaging the fin gasket.

a) Carefully rotate the fin while keeping the edge pressed on the dust cover.



b) Refer to [D/R - MF speaker](#) (p.144) to replace the medium speaker.

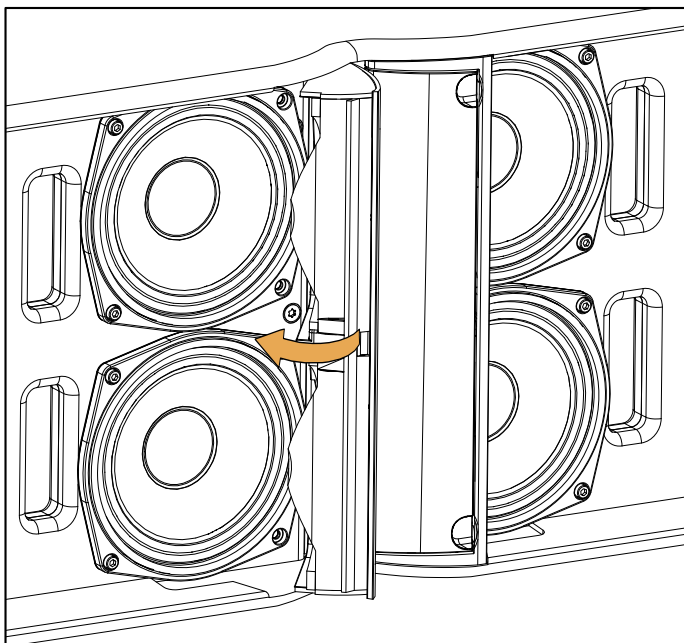
## Reassembly

### About this task

- !** For safety reasons, always use the new screws and spare parts provided in the KR.  
If no new screws are available, use blue threadlocker.

### Procedure

1. Position the closed and retracted fin on the cabinet.  
Make sure both ends of the fin are flush with the cabinet.

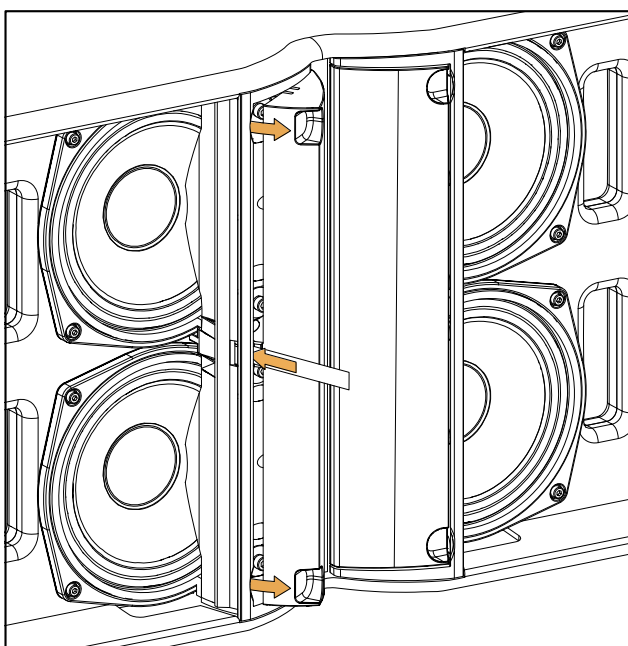


**!** **Risk of breaking the fin hook**

Always use a flat tool to unhook the fin hook.

If there is resistance, check the fin hook again, and do not force the fin open.

2. Unhook the fin center hook with a flat plastic tool to open the fin.



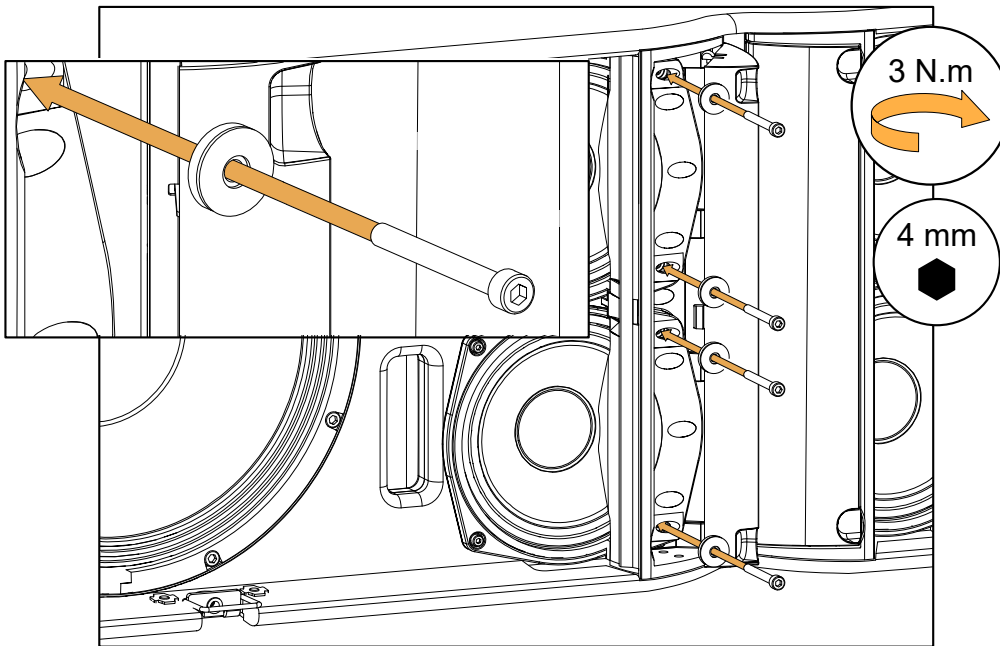


### Risk of breaking the fin hinge

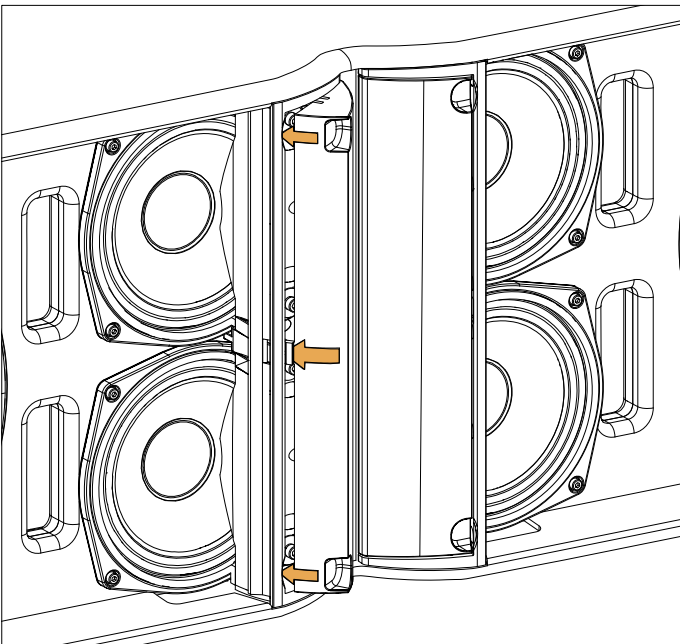
Carefully open the fin to access the screws. Stop when there is resistance.

#### 3. Secure the fin with the provided screws and washers.

Use a screwdriver extension and a 4 mm spherical head bit to access the screws through the opening.



#### 4. Close the fin by applying pressure toward the center hook.



### What to do next

Perform the [Adjustable fins check](#) (p.57).

## D/R - LF speaker

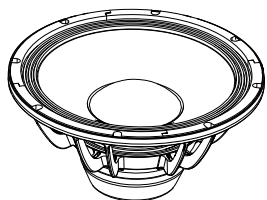
### Tools

- torque screwdriver
- 5 mm hex bit

### Repair kit

#### KR HPBC125

Kit 12" speaker - 8 ohms



x1

18177

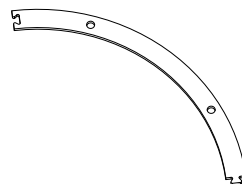
12" LF speaker



x8

S100036

M6x25 hex



x4

1250

12" speaker gasket

### Prerequisite

Grill removed.

See [D/R - Grill](#) (p.134).

### Exploded view



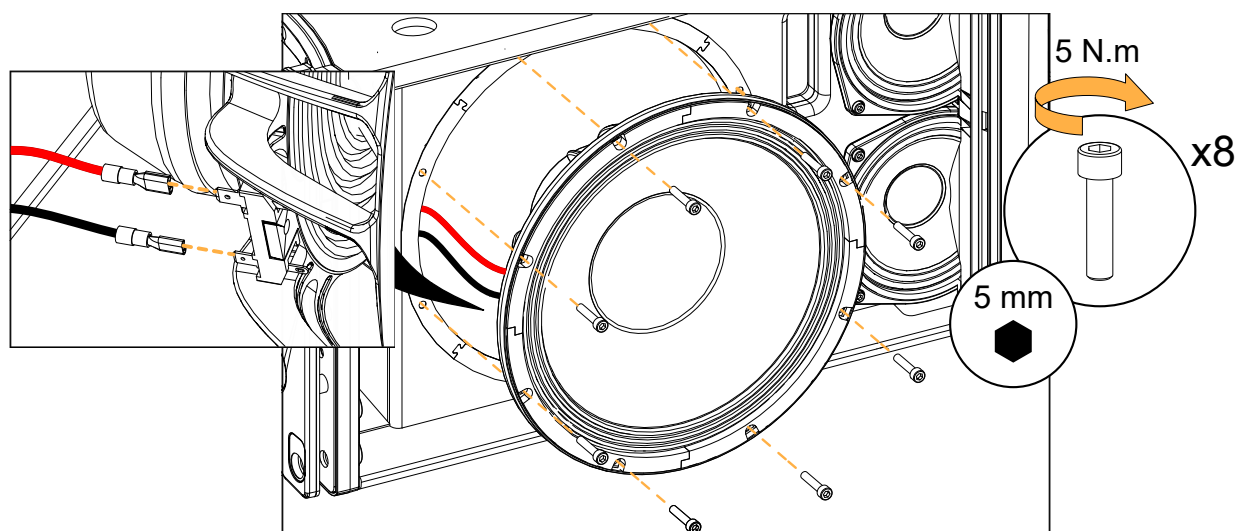
For safety reasons, always use the new screws and spare parts provided in the KR.



If the speaker gasket is damaged, remove and replace it.



Gradually tighten the screws following a star pattern.



### What to do next

Perform the [Acoustical check](#) (p.59) procedures.

## D/R - MF speaker

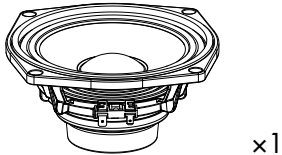
### Tools

- torque screwdriver
- 4 mm hex bit

### Repair kit

#### KR HPFA61

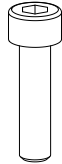
Kit HP FA61 Driver 6.5" - 8 ohms



x1

1278

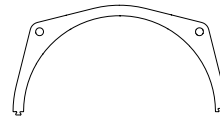
6.5" MF speaker



x2

S342

M5x20 hex



x2

1513

6.5" speaker gasket

### Prerequisite

Grill removed.

Fins disassembled.

See [D/R - Grill](#) (p.134).

See [D/R - Variable directivity fins](#) (p.138).

### Exploded view



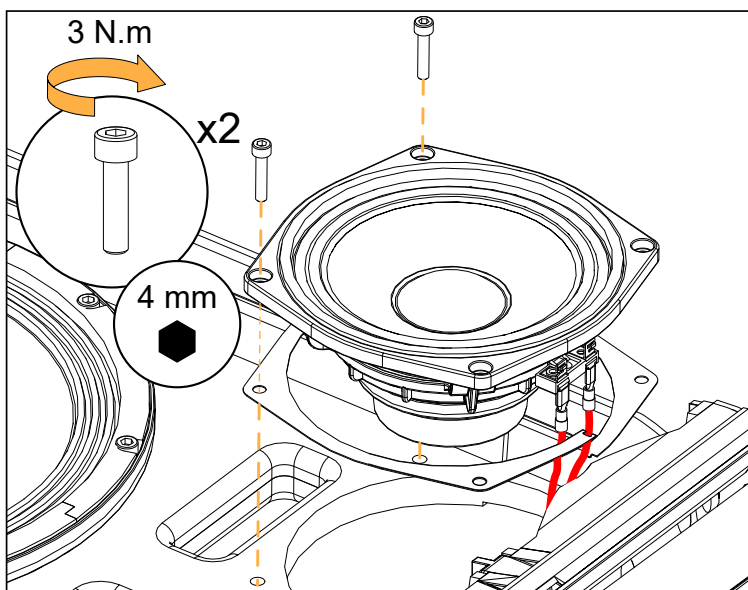
For safety reasons, always use the new screws and spare parts provided in the KR.



Gradually tighten the screws following a star pattern.



If the speaker gasket is damaged, remove and replace it.



Position the connectors toward the fins.

### What to do next

Perform the [Acoustical check](#) (p.59) procedures.

## D/R - Connector plate

### Tools

- torque screwdriver
- T15 Torx bit

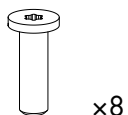
### Consumables

- blue threadlocker

### Repair kit

#### KR HPBC34

KR HP BC34 Driver 3 - 8 ohms



S100035

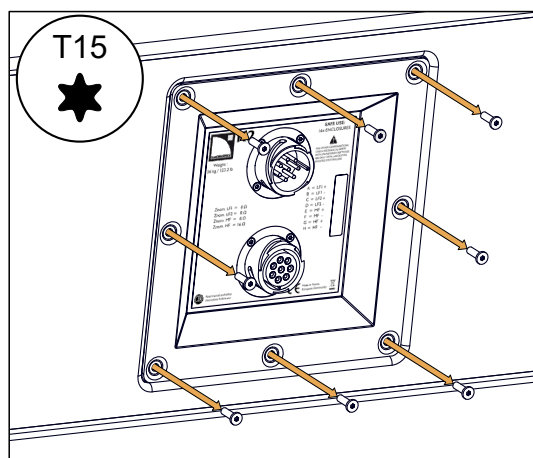
M5x16 Torx

### Disassembly

#### Procedure

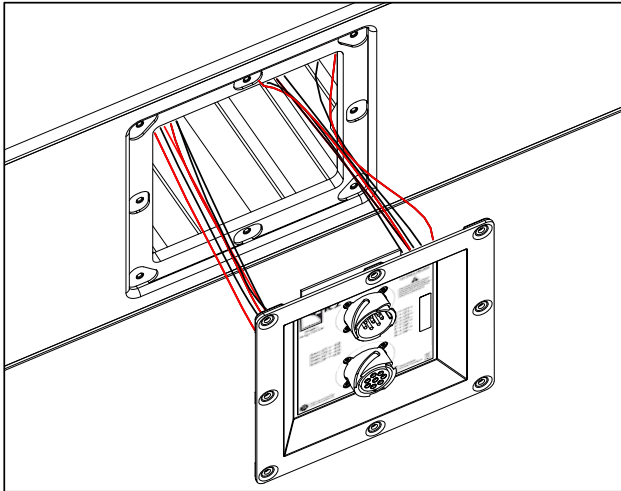
1. Remove the eight screws securing the connector plate.

**!** Save the screws for reassembly.



2. Remove the connector plate using a lever.

Avoid straining the speaker cables.



3. Disconnect the cables.



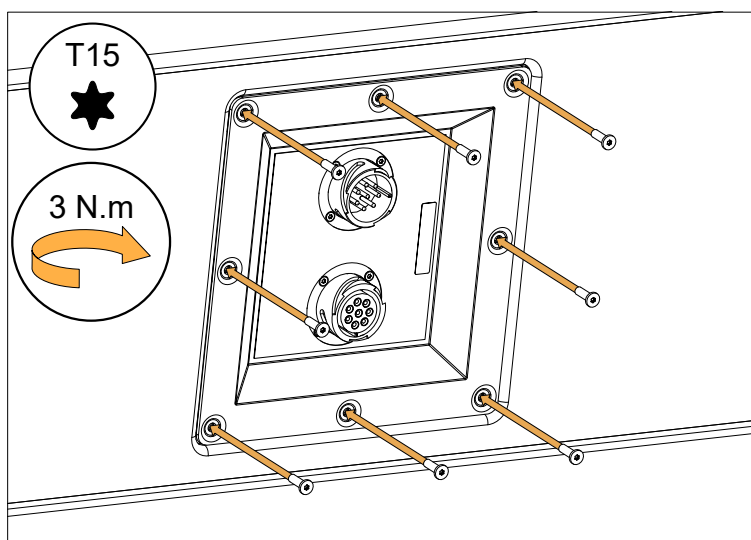
## Reassembly

### About this task

- ! For safety reasons, always use the new screws and spare parts provided in the KR. If no new screws are available, use blue threadlocker.

### Procedure

1. Connect the cables.
2. Position the connector plate using the label as a reference.
  - ! Gradually tighten the screws following a star pattern.
  - i Put blue threadlocker on the screws.
3. Secure the connector plate.



## D/R - HF driver

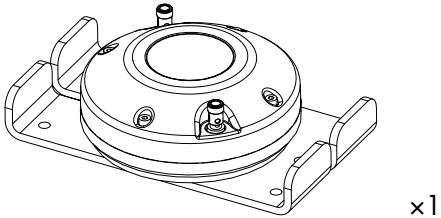
### Tools

- torque screwdriver
- 5 mm hex bit

### Repair kit

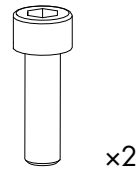
#### KR HPBC34

KR HP BC34 Driver 3 - 8 ohms



G199

3" HF driver - 8 ohms assembly



S100105

M6x20 hex

### Prerequisite

Connector plate removed.

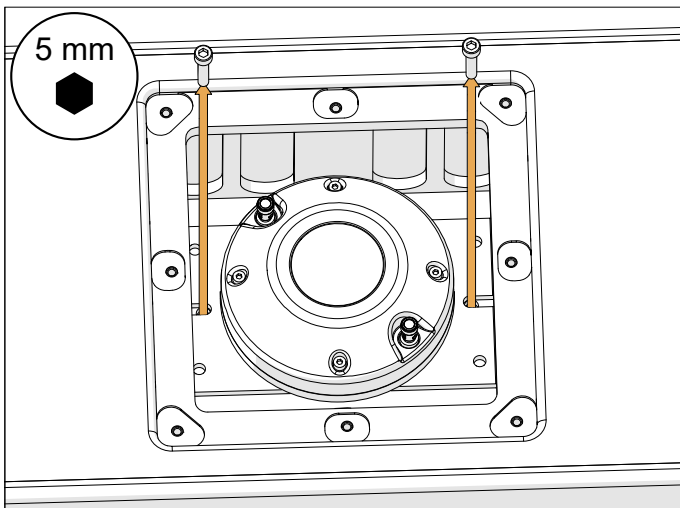
See [D/R - Connector plate](#) (p.145).

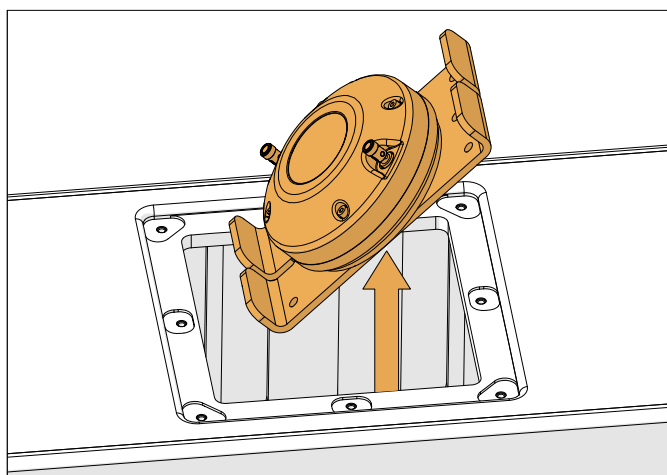
### Disassembly

#### Procedure

1. Remove the HF driver cables.  
Free the cables by pressing the driver push-buttons.
2. Remove the two screws securing the assembly.

**!** Save the screws for reassembly.



**3.** Remove the HF driver assembly.

## Reassembly

### About this task

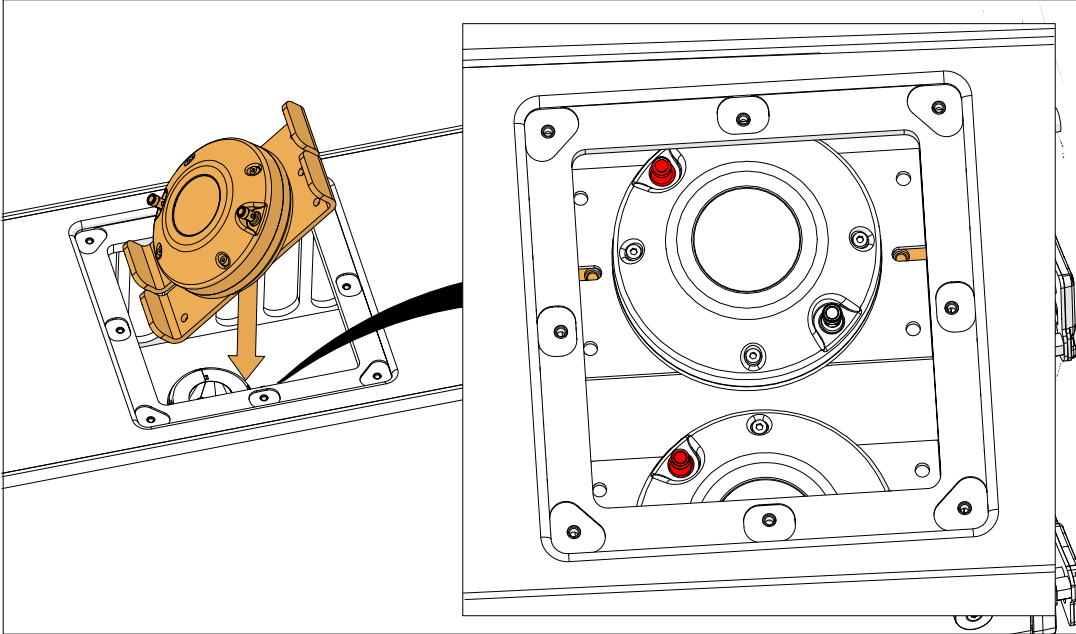


For safety reasons, always use the new screws and spare parts provided in the KR.

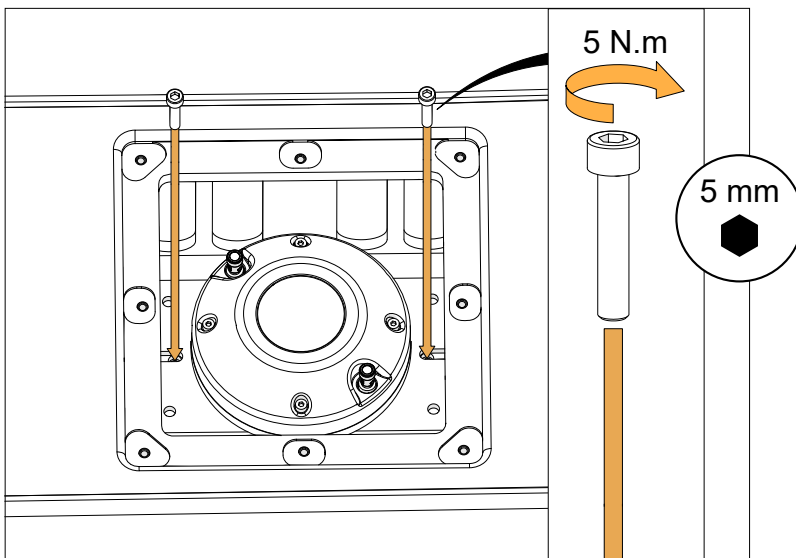
### Procedure

1. Position the HF driver assembly in the cabinet.

Align the plate with the cabinet inserts and position the red connector on the left.



2. Secure the assembly.



3. Connect the corresponding speaker cables to the high-frequency driver.

## D/R - HF driver diaphragm

### Tools

- torque screwdriver
- 3 mm hex bit
- 3 mm hex wrench

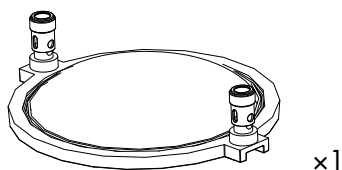
### Consumables

- double face adhesive tape

### Repair kit

#### KR HSBC34

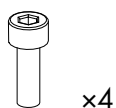
KR Diaphragm for HP BC34II (3" driver - 8 ohms)



x1

1438

diaphragm kit for 3" driver - 8 ohms (with shims)



x4

S1438

M4x14 hex

### Prerequisite

Connector plate removed.

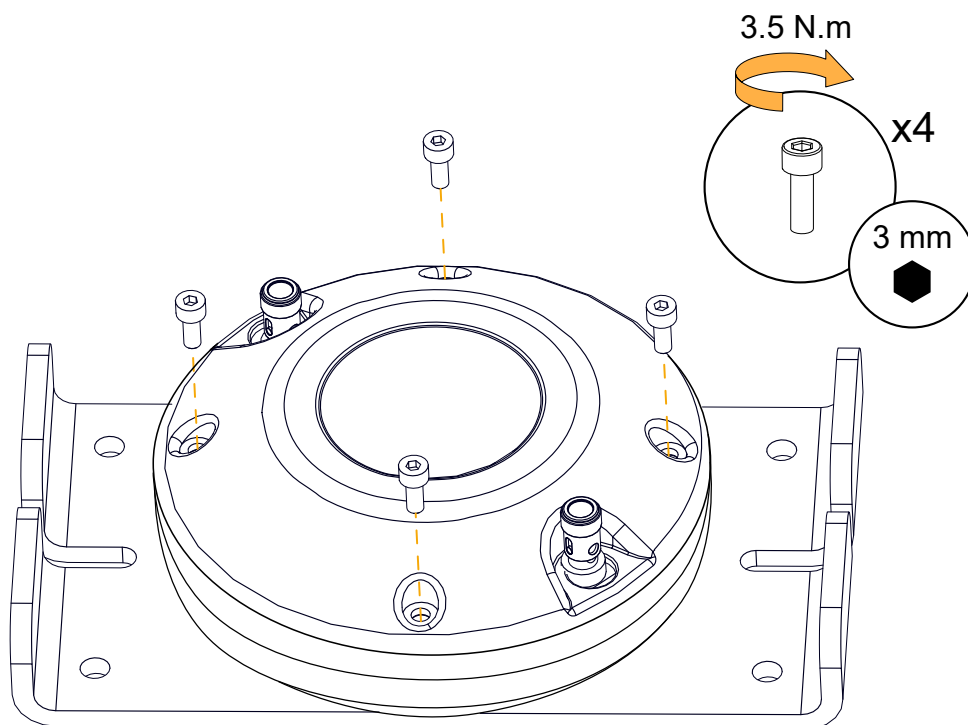
HF driver removed.

The HF driver assembly is placed on a flat surface in a dust-free environment.

See [D/R - Connector plate](#) (p.145).

See [D/R - HF driver](#) (p.148).

### Exploded view



3.5 N.m

x4

3 mm

## Disassembly

### Procedure

1. Remove the four screws securing the cover.  
Use the 3 mm hex bit.
2. Remove the cover.
3. Carefully remove the diaphragm.  
Note the position of the part.
4. If there are shims on the dome, carefully remove them.  
Take note of how many and what kind of shims are present.



### Reassembly

#### About this task



For safety reasons, always use the new screws and spare parts provided in the KR.

### Procedure

1. Clean the dome and the air gap.  
Use a blower or double face adhesive tape to remove any particle.  
 Make sure the air gap is perfectly clean before moving to the next step.
2. Place the same kind and number of shims that were initially present.
3. Carefully place the diaphragm.  
Use the cable connectors as reference points.
4. Secure the cover to the speaker with the four screws.
  - a)  Gradually tighten the screws following a star pattern.  
  
Gradually tighten each screw manually with the Allen wrench n°3.
  - b) Tighten the screws in the same order with the torque screwdriver.  
Use the 3 mm hex bit and set the torque to 3.5 Nm.

### What to do next

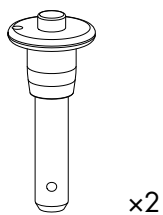
Perform the [Acoustical check](#) (p.59) procedures.

## Temporary measure for K2 rear and front rigging pins

### Repair kit

#### KR PIN1394

Kit 2 x pin 1394

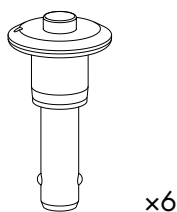


1394

ball-locking pin  $\text{\O}3/8''$  with tether

#### KR PIN163

Kit K1 6 ball head pins



163

ball-locking pin  $\text{\O}1/2''$  with tether

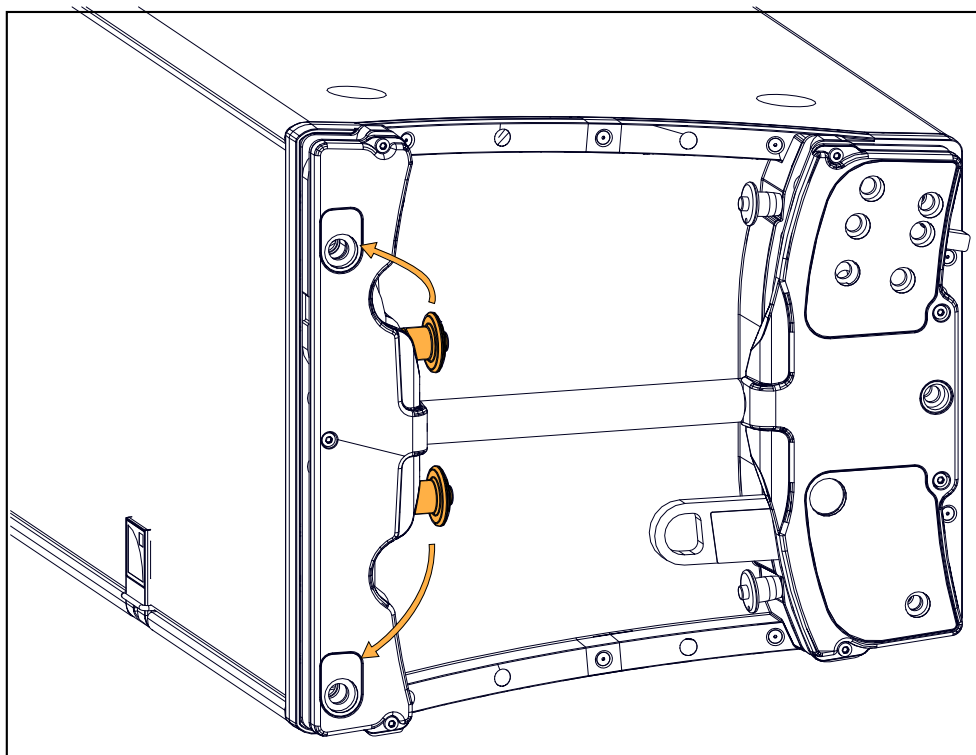


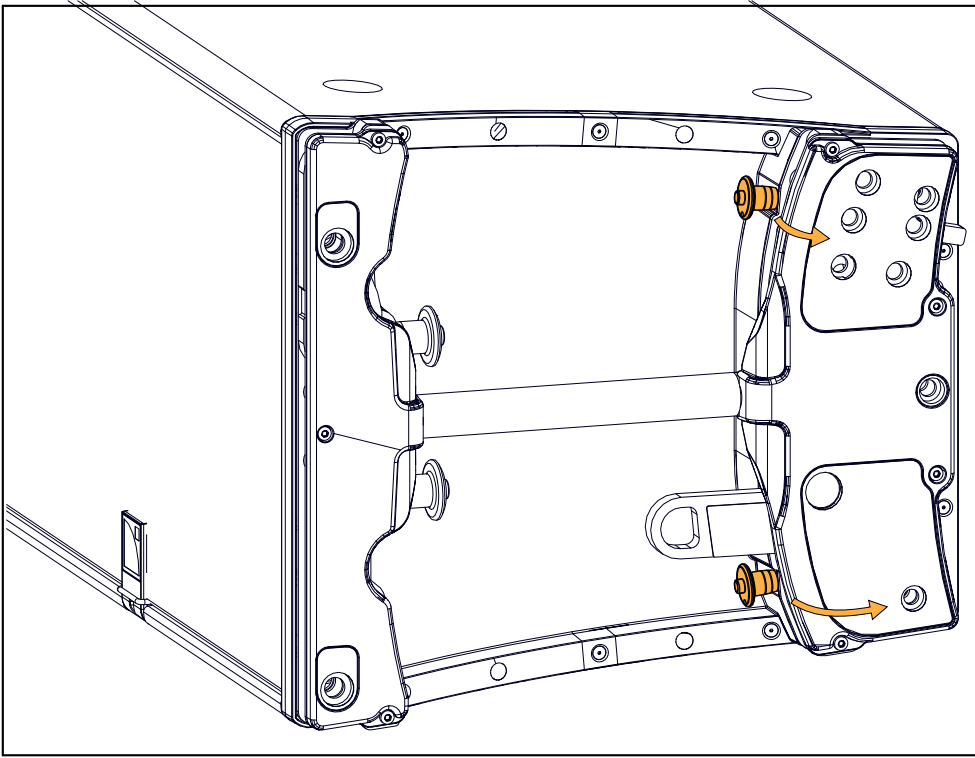
**Contact your Certified Provider to finalize the ball-locking pins installation.**

Inspect the ball-locking pins before operation.

Store the ball-locking pins in their storage slots when not in use.

Use the provided ball-locking pins for the rear and front rigging.



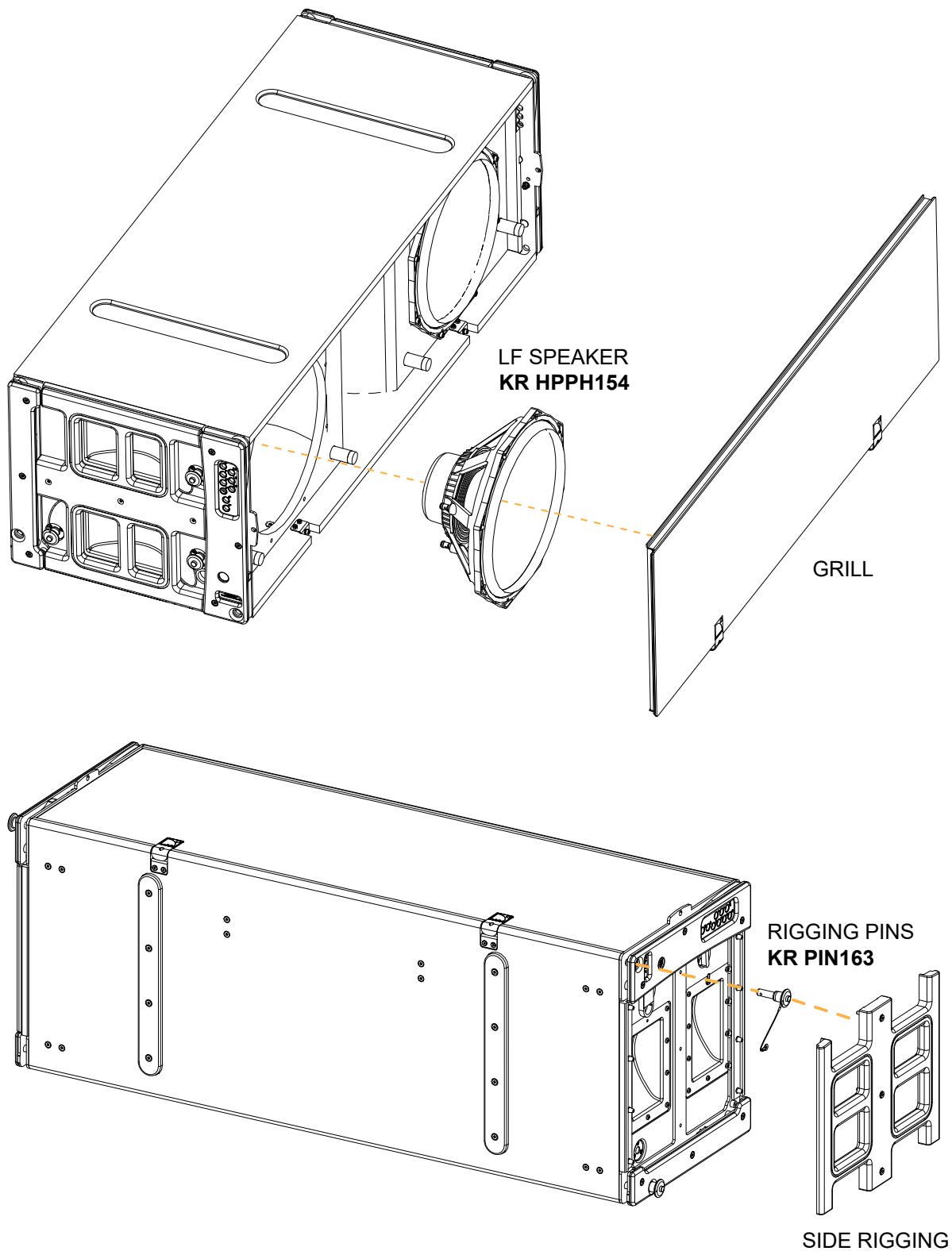




## K1-SB

### Exploded views

In order to operate, follow the order outlined here. Each assembly refers to the corresponding Disassembly/Reassembly (D/R) procedure and the necessary repair kit.



## D/R - Grill

### Tools

- torque screwdriver
- 4 mm hex bit

### Repair kit

#### KR HPPH154\*

Kit HP PH154 Speaker 15" - 8 ohms



x2

S100155

M5x25 hex



x2

S158

plain washer Ø5 mm



\* The screws and fasteners are also provided in the KR HSPH154 (Kit reconing 15").

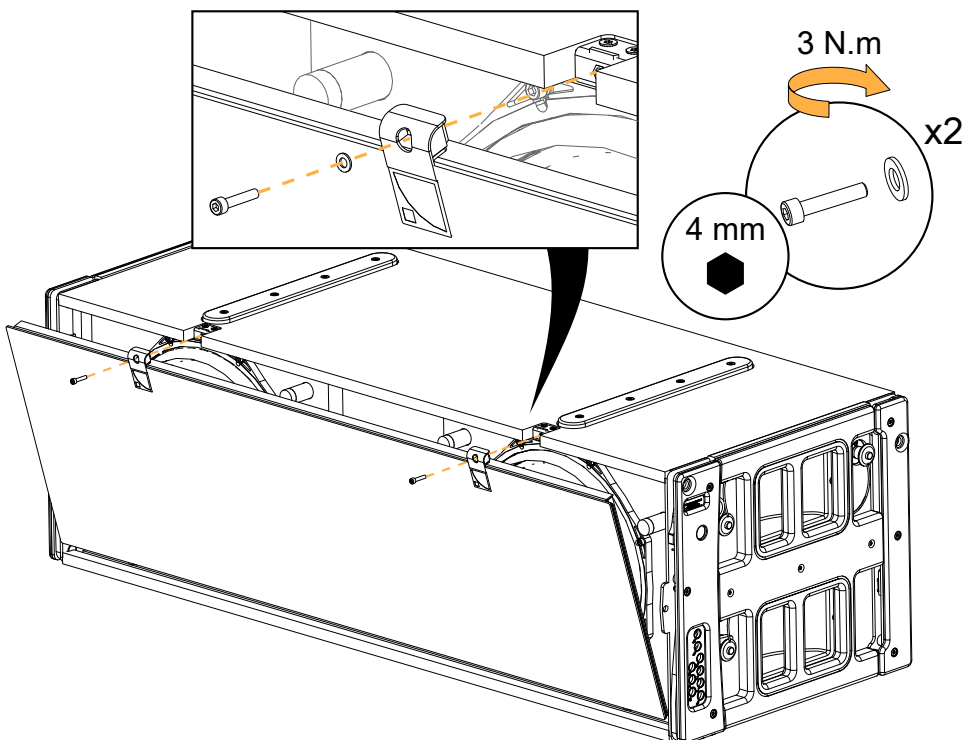
### Prerequisite

The enclosure is placed on its top.

### Exploded view



For safety reasons, always use the new screws and spare parts provided in the KR. If no new screws are available, use blue threadlocker.



## D/R - LF speaker

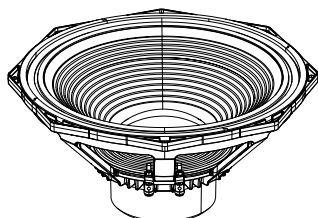
### Tools

- torque screwdriver
- 5 mm hex bit

### Repair kit

#### KR HPPH154\*

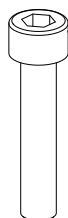
Kit HP PH154 Speaker 15" - 8 ohms



x1

18463

15" speaker - 8 ohms



x8

S100054

M6x30 hex



\* The screws and fasteners are also provided in the KR HSPH154 (Kit reconing 15").

### Prerequisite

Grill disassembled.

See [D/R - Grill](#) (p.156).

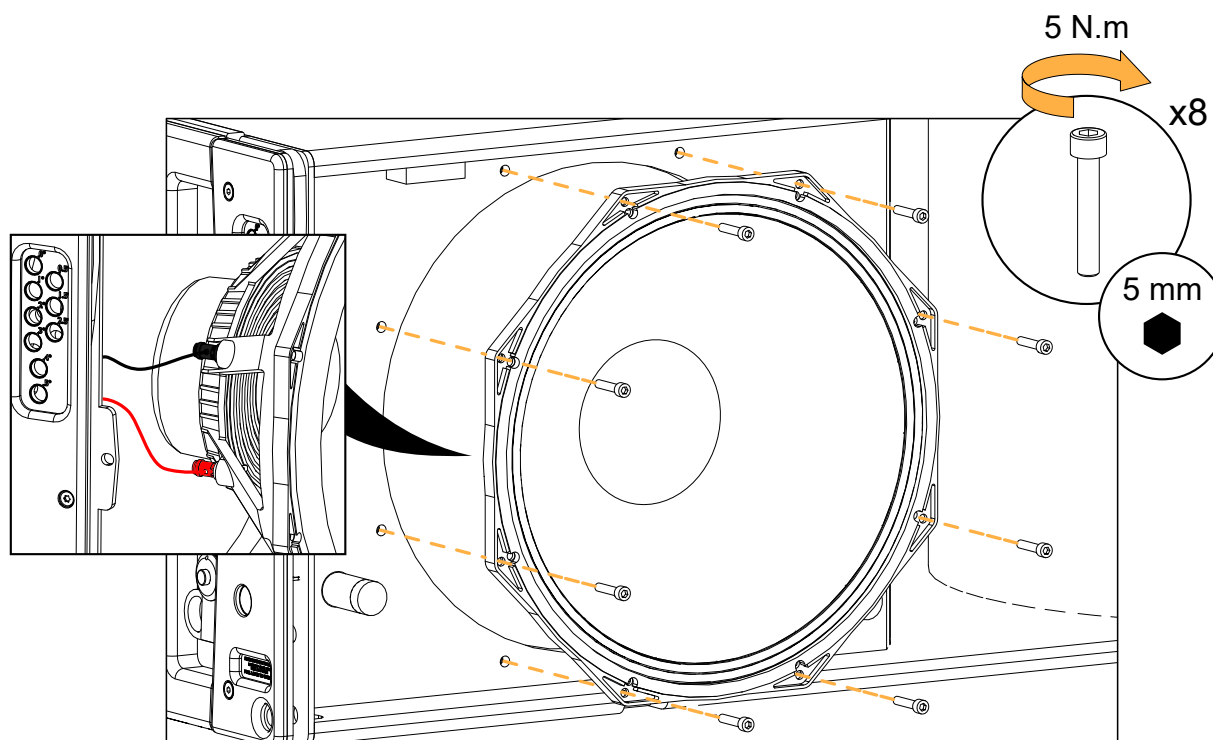
### Exploded view



For safety reasons, always use the new screws and spare parts provided in the KR.  
If no new screws are available, use blue threadlocker.



Gradually tighten the screws following a star pattern.



## D/R - Side Rigging Protection


### Tools

- torque screwdriver
- T30 Torx bit

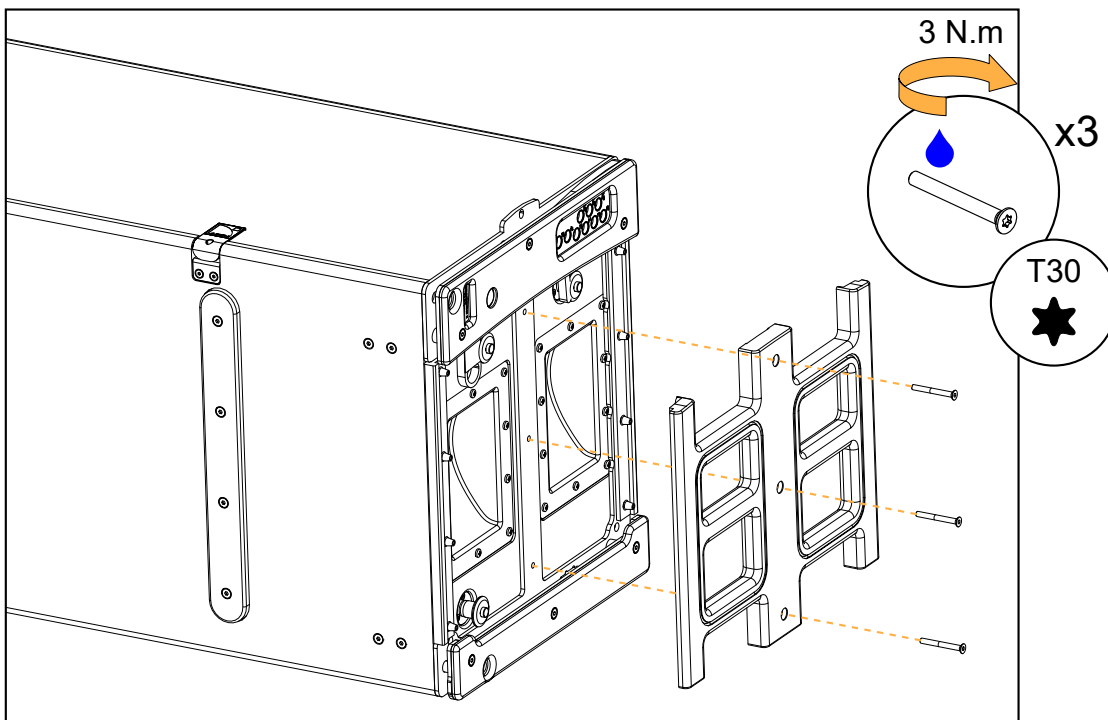
### Consumables

- blue threadlocker

### Exploded view

 Save the screws and fasteners for reassembly.

Use blue threadlocker.



## D/R - Rigging pins

### Tools

- torque screwdriver
- T20 Torx bit

### Repair kit

#### KR PIN163

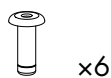
Kit K1 6 ball head pins



x6

S101

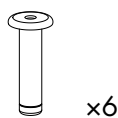
M4.5x16 Torx



x6

S142

M4x10 rivet



x6

S254

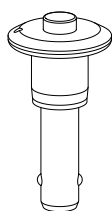
M4.8x18 rivet



x6

S158

plain washer Ø5 mm



x6

163

ball-locking pin Ø1/2" with  
tether



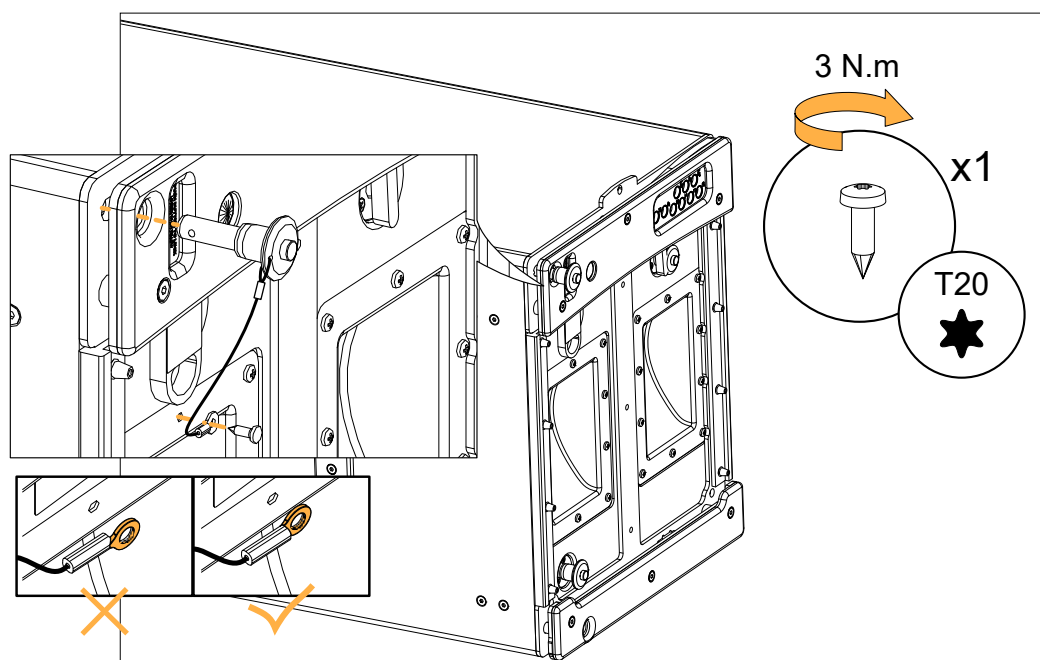
The S142, S254, and S158 are not used in this procedure.

### Prerequisite

Side rigging protection removed.

See [D/R - Side Rigging Protection](#) (p.158).

### Exploded view



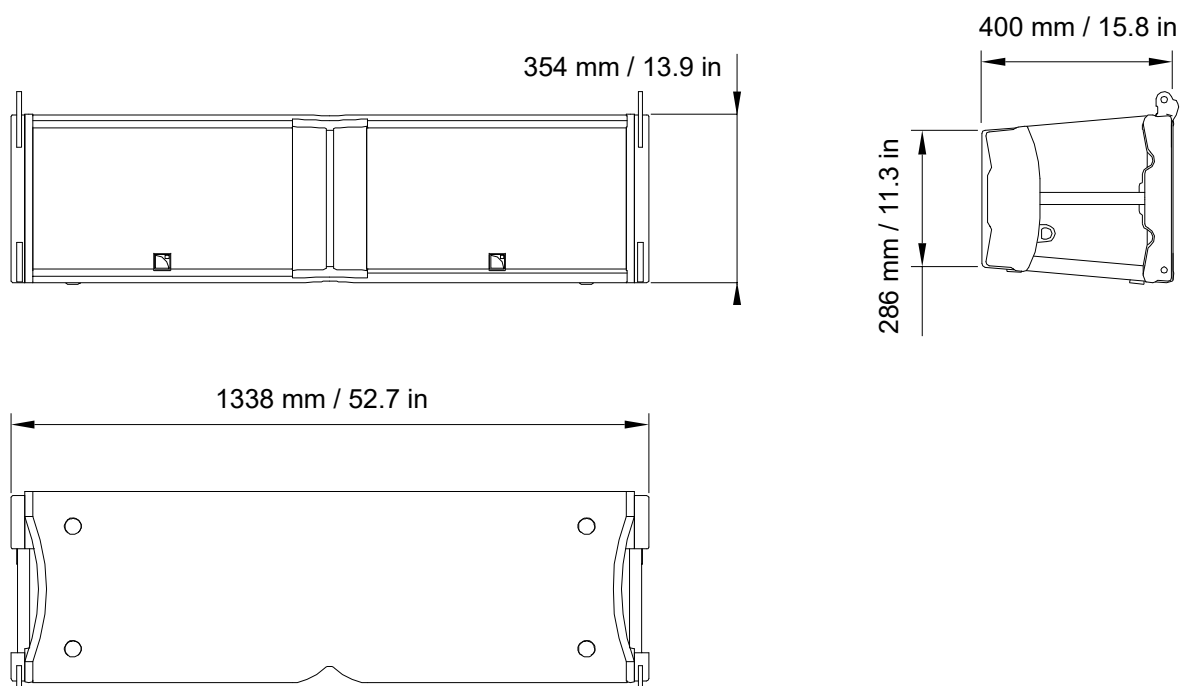
# Specifications

## K2 specifications

---

<b>Description</b>	3-way full-range active WST enclosure, quad-amplified by LA4X / LA12X
<b>Usable bandwidth (-10 dB)</b>	35 Hz - 20 kHz ([K2 70])
<b>Maximum SPL <sup>1</sup></b>	147 dB ([K2 70])
<b>Nominal directivity (-6 dB)</b>	horizontal: 110°/70° symmetric or 90° asymmetric (35°/55° or 55°/35°) vertical: dependent upon the number of elements and the line source curvature
<b>Transducers</b>	LF: 2 × 12" cone drivers MF: 4 × 6.5" cone drivers HF: 2 × 3" diaphragm compression drivers
<b>Acoustical load</b>	LF: bass-reflex, L-Vents MF: bass-reflex HF: DOSC waveguide
<b>Nominal impedance</b>	LF: 2 × 8 Ω MF: 8 Ω HF: 16 Ω
<b>Connectors</b>	IN: 1 × 8-point PA-COM LINK: 1 × 8-point PA-COM
<b>Rigging and handling</b>	4-point captive rigging system inter-enclosure angles: 0.25°, 1°, 2°, 3°, 4°, 5°, 7.5° or 10°
<b>Weight (net)</b>	56 kg / 123.2 lb
<b>Cabinet</b>	premium grade Baltic birch plywood
<b>Front</b>	coated steel grill acoustically neutral 3D fabric
<b>Rigging components</b>	high grade steel with anti-corrosion coating
<b>Finish</b>	dark grey brown Pantone 426 C
<b>IP</b>	IP55

<sup>1</sup> Peak level measured at 1 m under free field conditions using pink noise with crest factor 4 (preset specified in brackets).

**K2 dimensions**

## K1-SB specifications

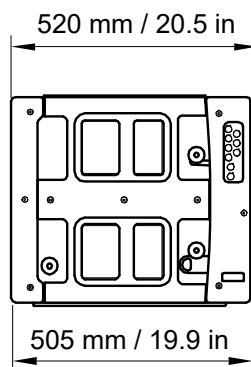
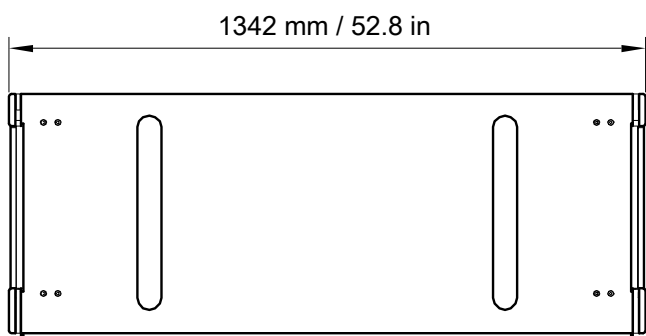
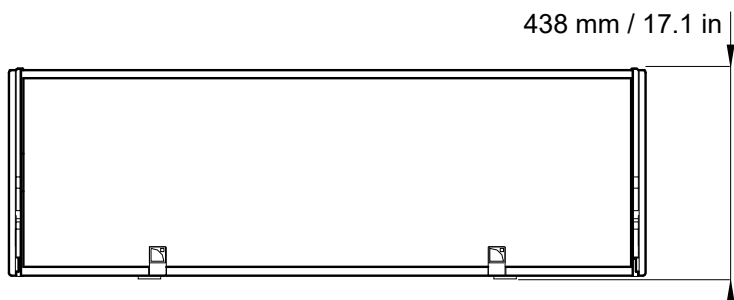
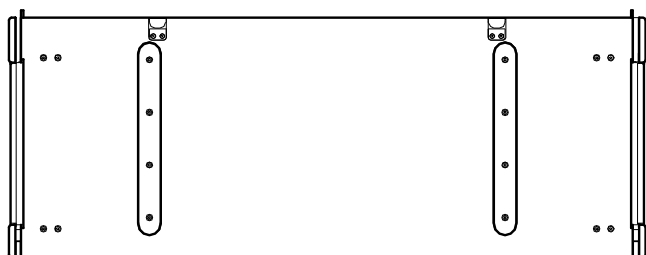
---

<b>Description</b>	K1 system subwoofer 2×15", amplified by LA12X
<b>Low frequency limit (-10 dB)</b>	30 Hz ([K1SB_60])
<b>Maximum SPL<sup>1</sup></b>	145 dB ([K1SB_X])
<b>Transducers</b>	2 × 15" cone drivers
<b>Acoustical load</b>	bass-reflex, L-Vents
<b>Nominal impedance</b>	4 Ω
<b>Connectors</b>	IN: 1 × 4-point speakON
<b>Rigging and handling</b>	captive rigging system 4-point rigging system inter-enclosure angles: 0°, 0.5°, 1°, 1.5°, 2°, 2.5°, 3°, 4° or 5° 4 handles integrated into the cabinet
<b>Weight (net)</b>	83 kg / 183 lb
<b>Cabinet</b>	premium grade Baltic birch plywood
<b>Front</b>	coated steel grill acoustically neutral 3D fabric
<b>Rigging components</b>	high grade steel with anti-corrosion coating
<b>Finish</b>	dark grey brown Pantone 426 C pure white RAL 9010
<b>IP</b>	IP45

<sup>1</sup> Peak level at 1 m under half space conditions using pink noise with crest factor 4 (preset specified in brackets).



### K1-SB dimensions

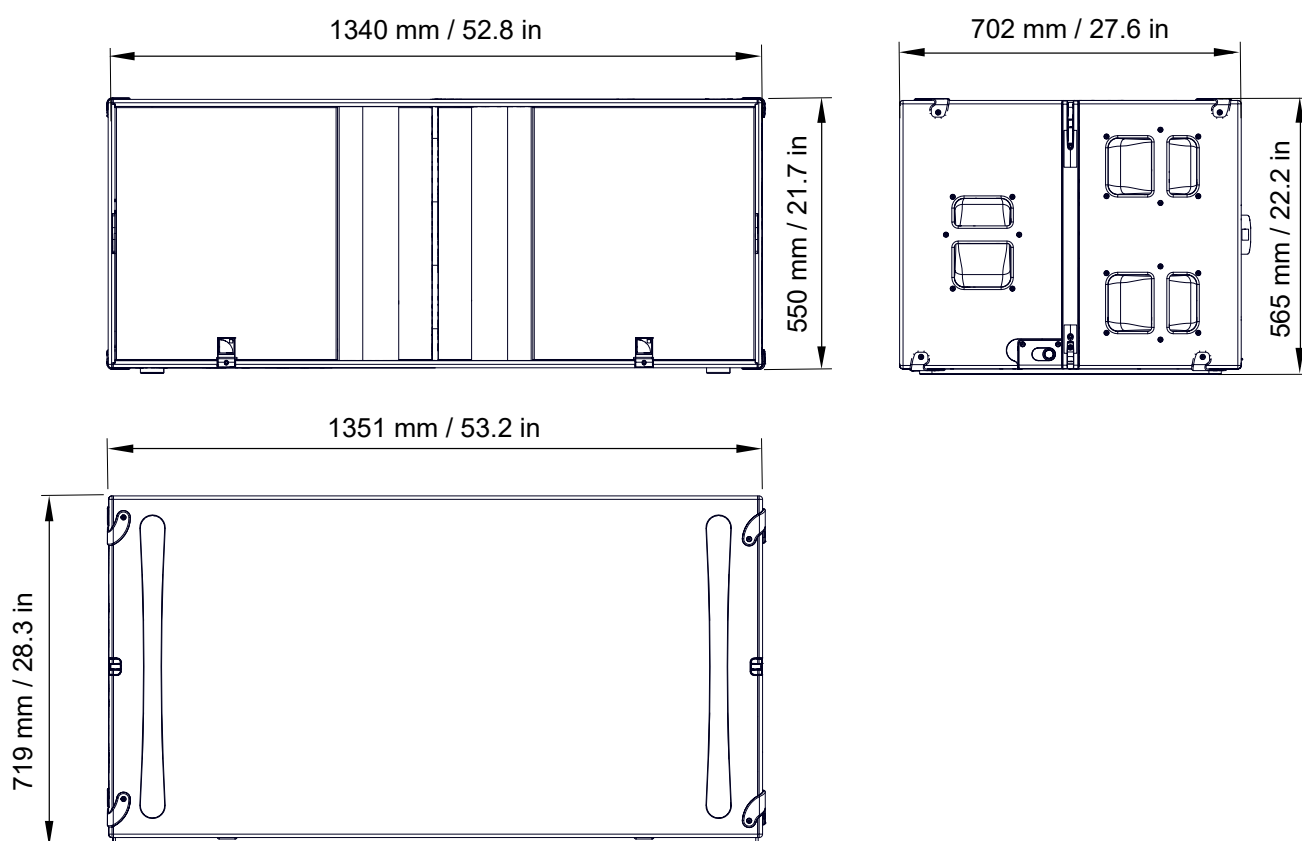


## KS28 specifications

---

<b>Description</b>	Flyable subwoofer 2 × 18", amplified by LA12X / LA2Xi
<b>Low frequency limit (-10 dB)</b>	25 Hz ([KS28_100])
<b>Maximum SPL<sup>1</sup></b>	143 dB ([KS28_100]) with LA2Xi (bridge mode) / LA12X 136 dB ([KS28_100]) with LA2Xi
<b>Directivity</b>	standard or cardioid
<b>Transducers</b>	2 × 18" neodymium cone drivers
<b>Acoustical load</b>	bass-reflex, L-Vents
<b>Nominal impedance</b>	4 Ω
<b>Connectors</b>	IN: 1 × 4-point speakON
<b>Rigging and handling</b>	flush-fitting 2-point rigging system 6 ergonomic handles 2 ground runners 8 side runners
<b>Weight (net)</b>	79 kg / 174 lb
<b>Cabinet</b>	premium grade Baltic beech and birch plywood
<b>Front</b>	coated steel grill acoustically neutral 3D fabric
<b>Rigging components</b>	high grade steel
<b>Finish</b>	dark grey brown Pantone 426 C
<b>IP</b>	IP55

<sup>1</sup> Peak level at 1 m under half space conditions using pink noise with crest factor 4 (preset specified in brackets).

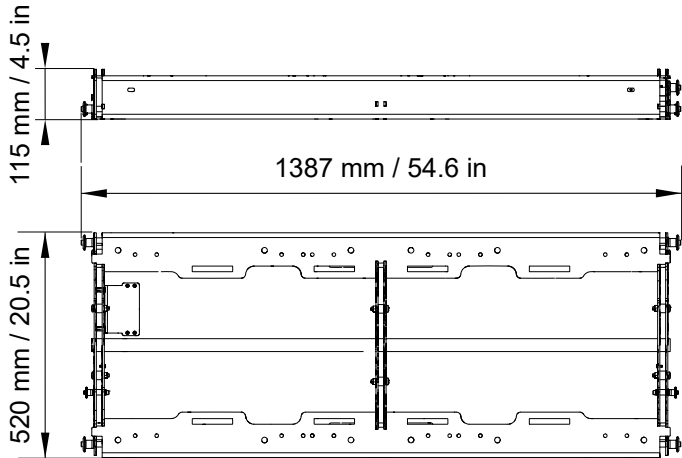
**KS28 dimensions**

## K2-BUMP specifications

---

<b>Description</b>	Structure for flying K2 arrays (incl. 1 extension sling + 1 laser adapter) 2 x Ø19 mm shackles WLL 3.25 t
<b>Weight (net)</b>	42.3 kg / 93.3 lb
<b>Material</b>	high grade steel with anti-corrosion coating

### K2-BUMP dimensions

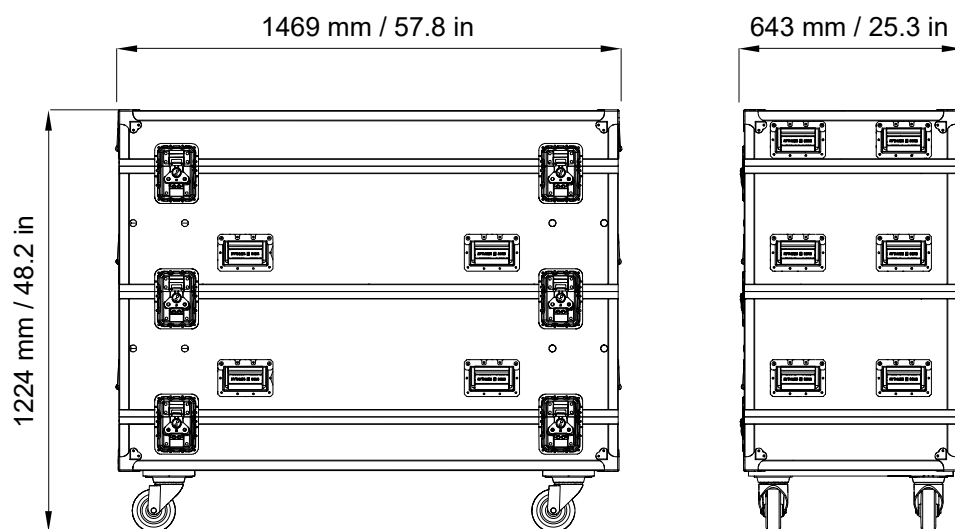


## K-BUMPFLIGHT specifications

---

<b>Description</b>	Modular flight case for 2 K1-BUMP or 2 K2-BUMP 12 pieces of adhesive foam
<b>Weight (net)</b>	105 kg / 231.5 lb

### K-BUMPFLIGHT dimensions

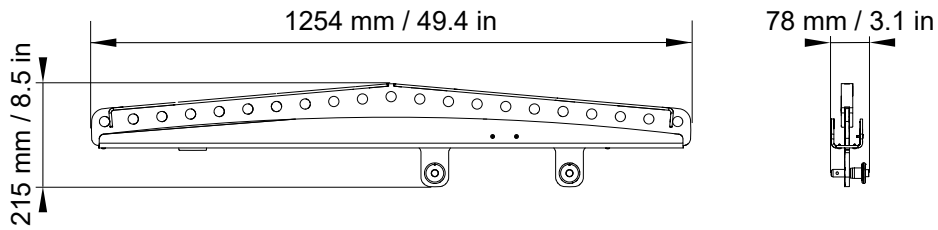


## K2-BAR specifications

---

<b>Description</b>	Extension bar for K2-BUMP 2 × Ø19 mm shackles WLL 3.25 t
<b>Weight (net)</b>	17 kg / 37.5 lb
<b>Material</b>	high grade steel with anti-corrosion coating

### K2-BAR dimensions

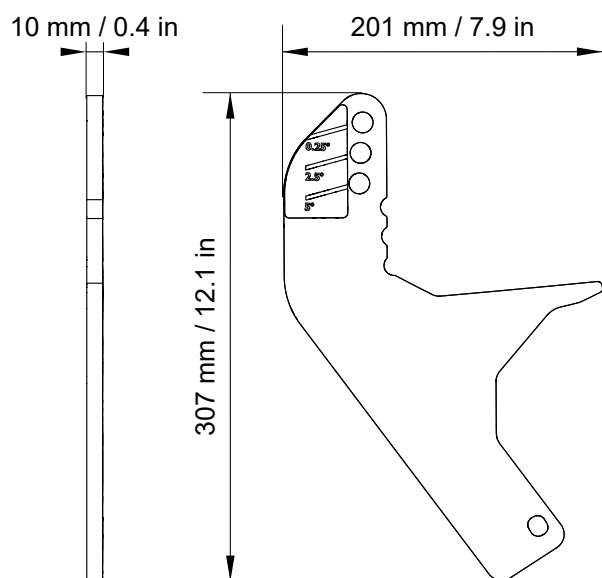


## K2-LINK specifications

---

<b>Description</b>	Rigging accessory for rear attachment of K2 below K1
<b>Weight (net)</b>	1.8 kg / 4 lb
<b>Material</b>	high grade steel with anti-corrosion coating

### K2-LINK dimensions



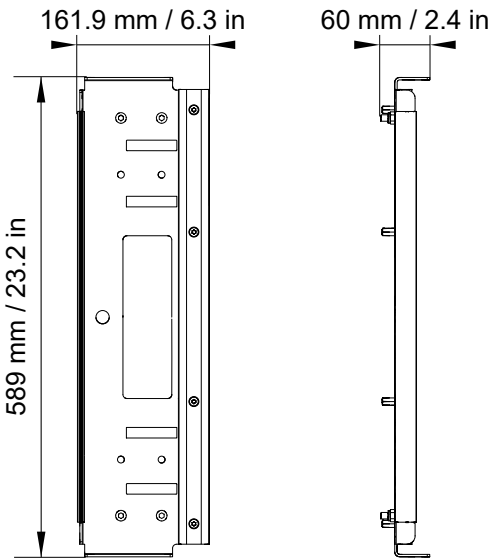
## K2-RAKMOUNT specifications

---

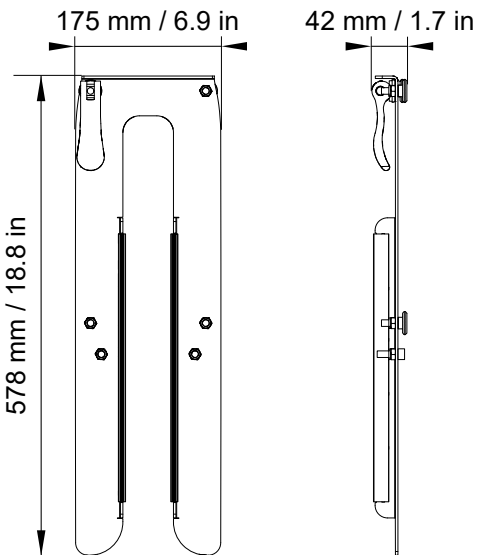
<b>Description</b>	4 mounting cradle for LA-RAK (incl. rack stabilizer)
<b>Weight (net)</b>	3.3 kg / 7.3 lb (cradle) 2.2 kg / 4.9 lb (stabilizer)
<b>Material</b>	high grade steel with anti-corrosion coating

## K2-RAKMOUNT dimensions

### Rail



### Stabilizer



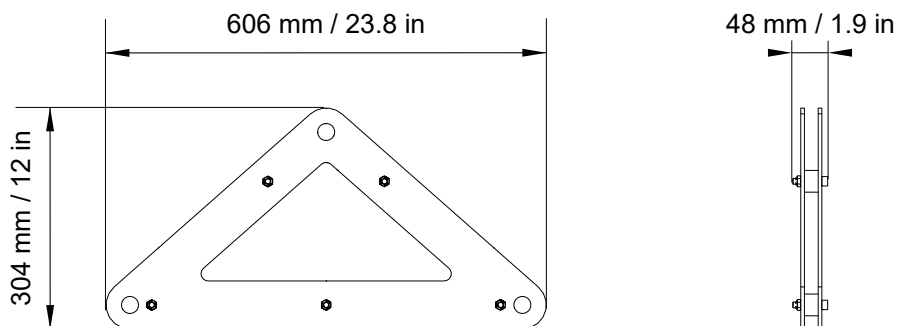


## K1-DELTA specifications

---

<b>Description</b>	Rigging accessory for rear attachment of 2 motors to K1-BUMP
<b>Weight (net)</b>	9.5 kg / 21 lb
<b>Material</b>	high grade steel with anti-corrosion coating

### K1-DELTA dimensions

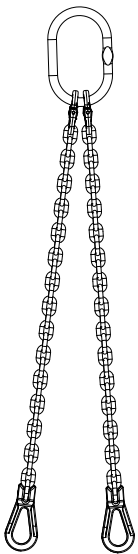


## LA-SLING2T specifications

---

<b>Description</b>	Lifting chain (DIN EN 818-4) 2-leg , 8 mm
<b>Material</b>	high grade steel with anti-corrosion coating
<b>Weight (net)</b>	3.7 kg / 1.2 lb
<b>Lifting chain (DIN EN 818-4)</b>	2-leg, 8 mm
<b>Steel grade</b>	8
<b>Nominal length incl. hooks</b>	1000 mm / 39.4 in
<b>Maximum sling angle <math>\beta_{max}</math></b>	60°
<b>Load rating</b>	2.8 t for $\beta$ : 0° - 45° 2 t for $\beta$ : 46° - 60°

### LA-SLING2T illustration

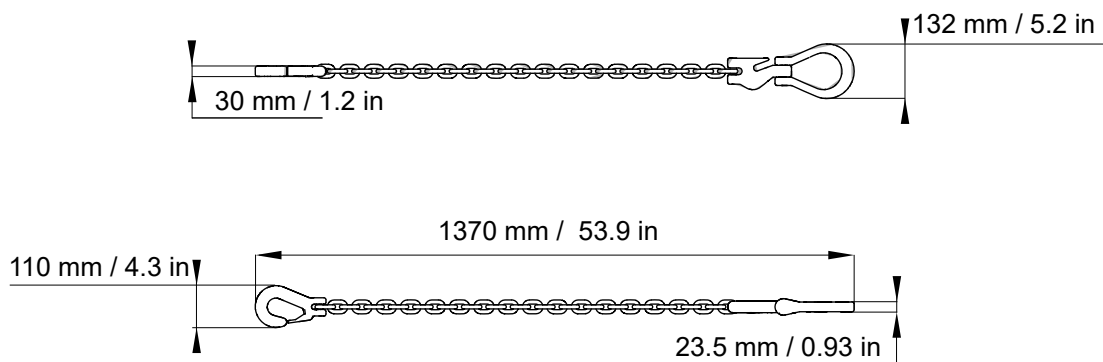


## K1-BPCHAIN specifications

---

<b>Description</b>	Adjustable sling for K1-BUMP or K2-BUMP
<b>Weight (net)</b>	6.3 kg / 13.9 lb
<b>Material</b>	high grade steel with anti-corrosion coating

### K1-BPCHAIN dimensions

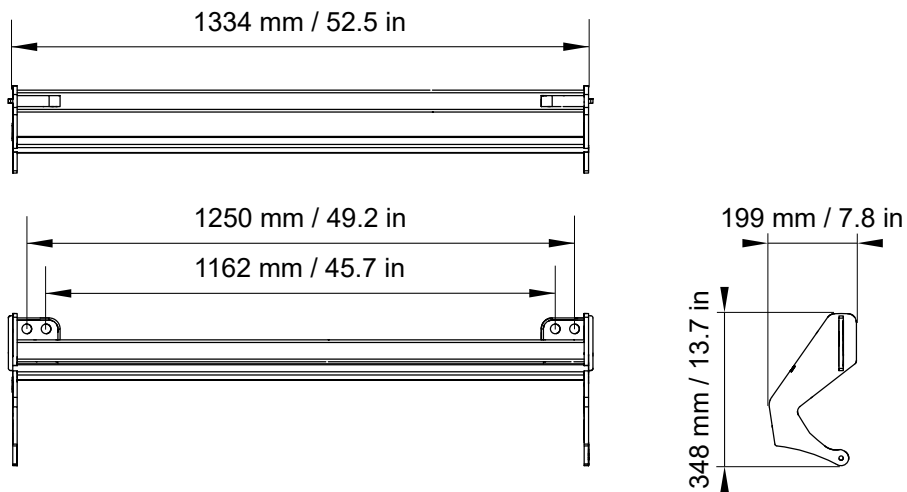


## K2-RIGBAR specifications

---

<b>Description</b>	K2 rigging bar and pullback (Inc. LA-SLING2T)
<b>Weight (net)</b>	15.5 kg / 34.2 lb
<b>Material</b>	high grade steel with anti-corrosion coating

### K2-RIGBAR dimensions

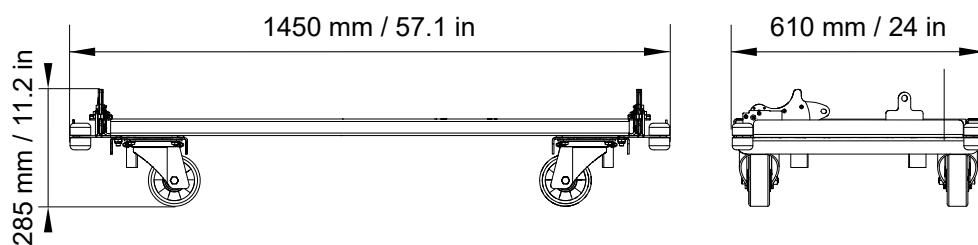


## K2-CHARIOT specifications

---

<b>Description</b>	Chariot for 4 K2
<b>Weight (net)</b>	50 kg / 110.2 lb
<b>Material</b>	high grade steel with anti-corrosion coating

### K2-CHARIOT dimensions

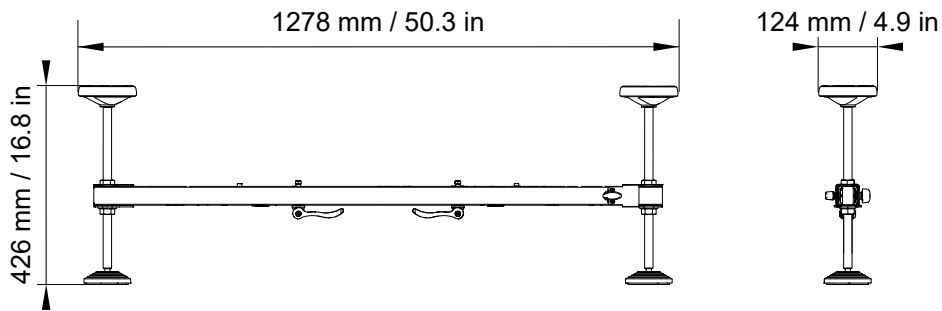


## K2-JACK specifications

---

<b>Description</b>	4 tilt adjustment screw jacks + 2 bars for chariots
<b>Weight (net)</b>	10.1 kg / 22.3 lb (for one stabilizer)
<b>Material</b>	high grade steel with anti-corrosion coating

### K2-JACK dimensions

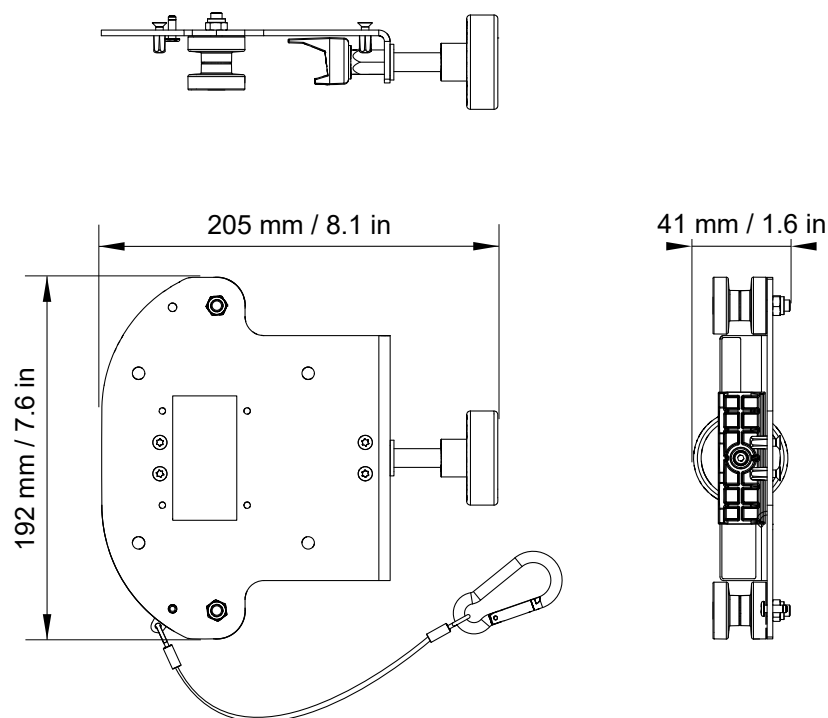


## K2-LASERMOUNT specifications

---

<b>Description</b>	K2 laser support plate (compatible TEQSAS / SSE Prosight / Align Array / KSG)
<b>Weight (net)</b>	0.74 kg / 1.6 lb
<b>Material</b>	high grade steel with anti-corrosion coating

### K2-LASERMOUNT dimensions

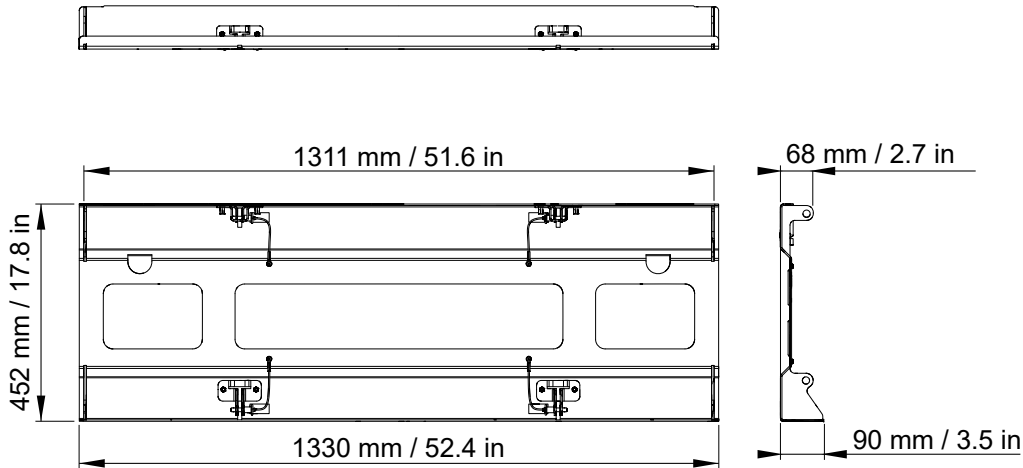


## KARADOWNK2 specifications

---

<b>Description</b>	Flying bumper for rigging Kara under K2
<b>Weight (net)</b>	17 kg / 37 lb
<b>Material</b>	high grade steel with anti-corrosion coating

## KARADOWNK2 dimensions





## Pickup points guidelines

A K2 system can be lifted using one or two motors:

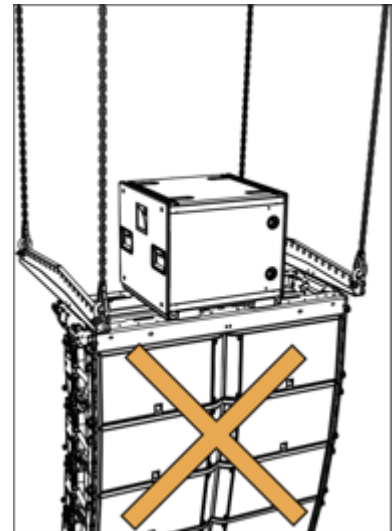
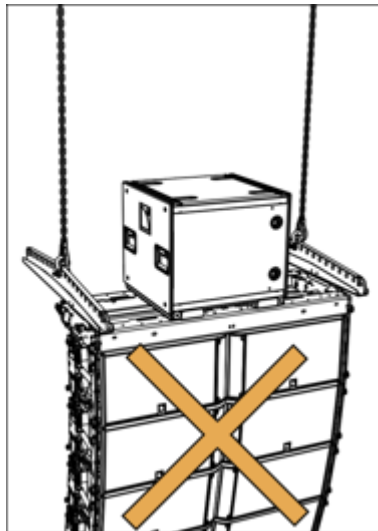
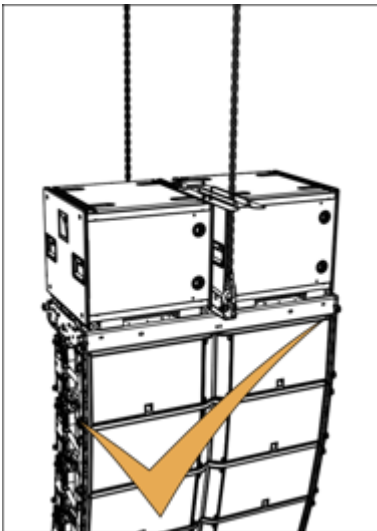
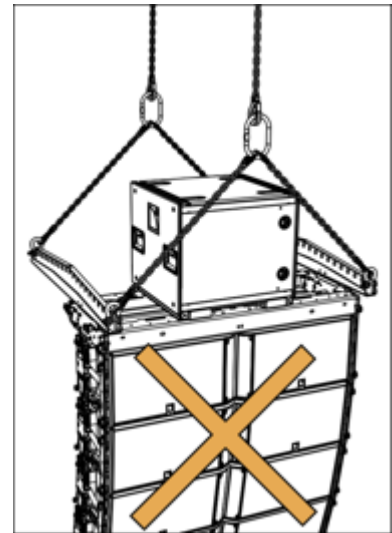
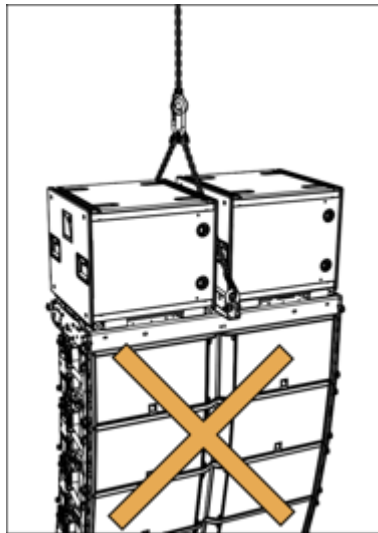
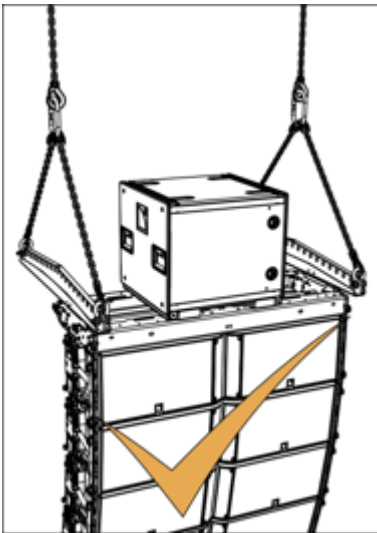
- One or two motors with K2-BUMP alone.
- Two motors with K2-BUMP and one K2-BAR.
- Two with K2-BUMP and two K2-BAR.

### **K2-BUMP with LA-RAK/LA-RAK II**

With a single LA-RAK/LA-RAK II on top of a K2-BUMP, always implement a bridle suspension using two LA-SLING2T. With two LA-RAK/LA-RAK II on top of a K2-BUMP, always use the K2-RAKMOUNT stabilizer.

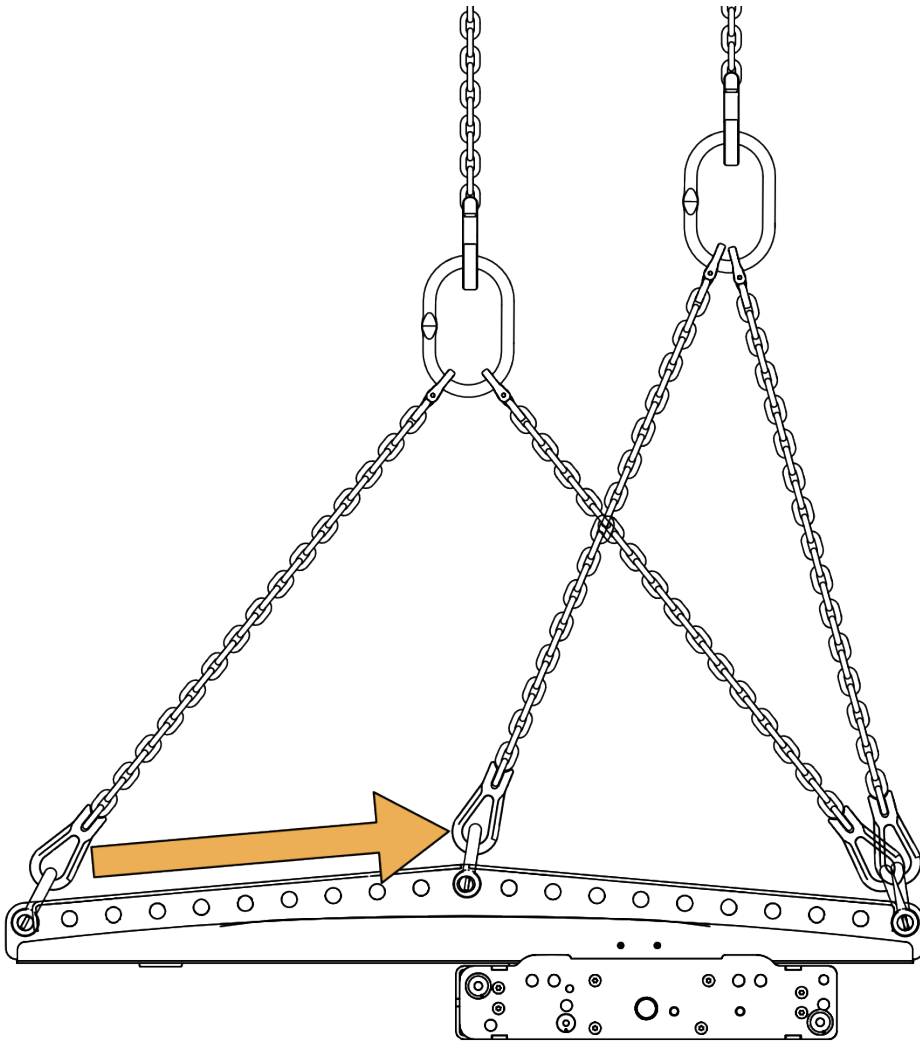
**OK**

**Not OK**



Use two LA-SLING2T to implement bridle hangs.

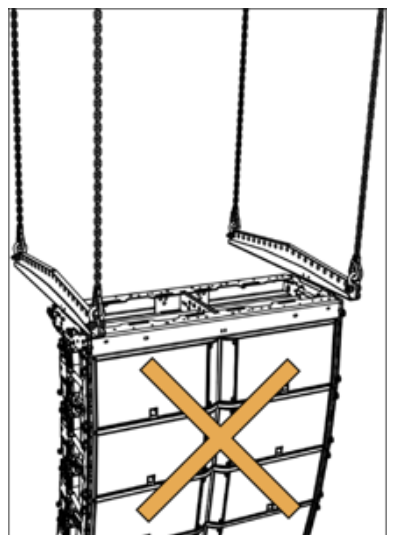
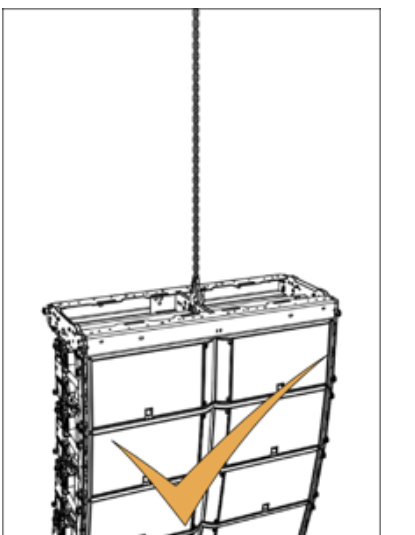
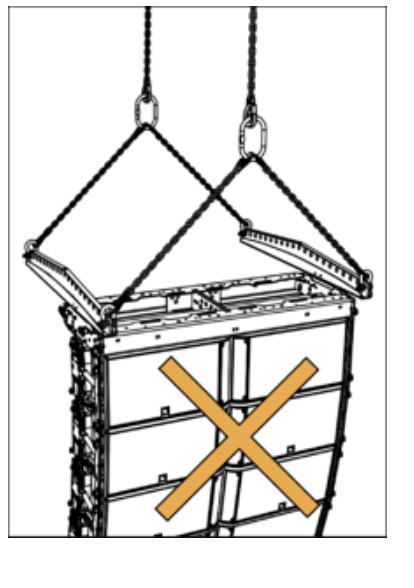
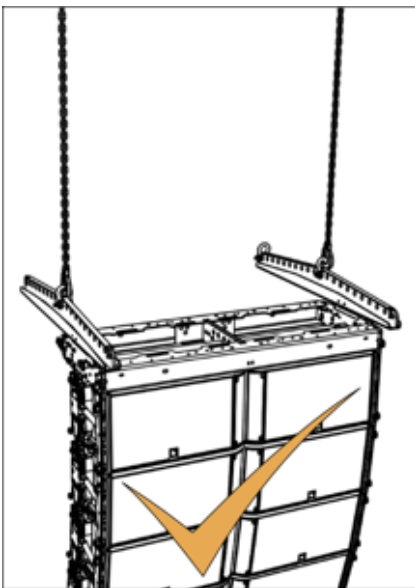
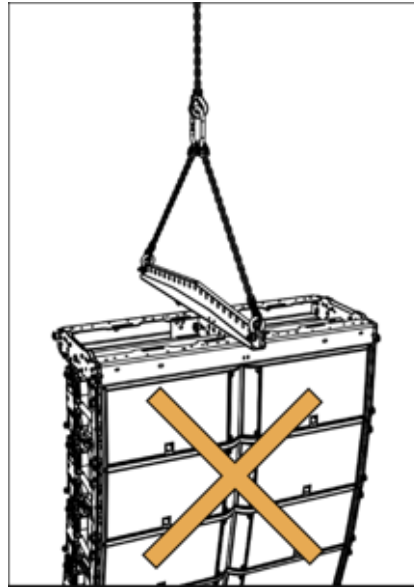
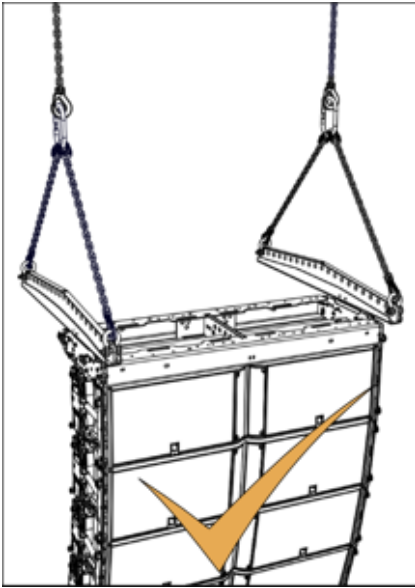
One leg of the LA-SLING2T must always be connected to the K2-BAR hole no 1 (i.e., the closest to the array). The other leg can be connected to holes no 11 to no 21.



## K2-BUMP with no LA-RAK/LA-RAK II

OK

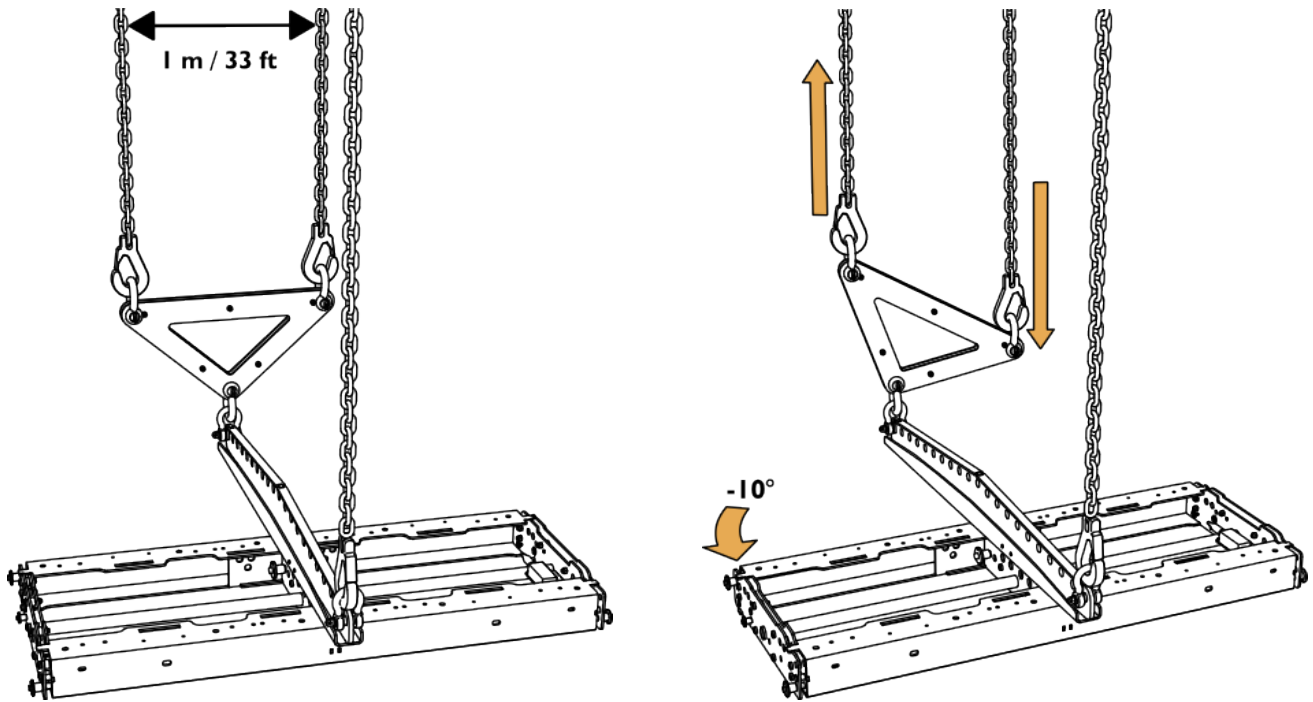
Not OK



## K1-DELTA for azimuth control

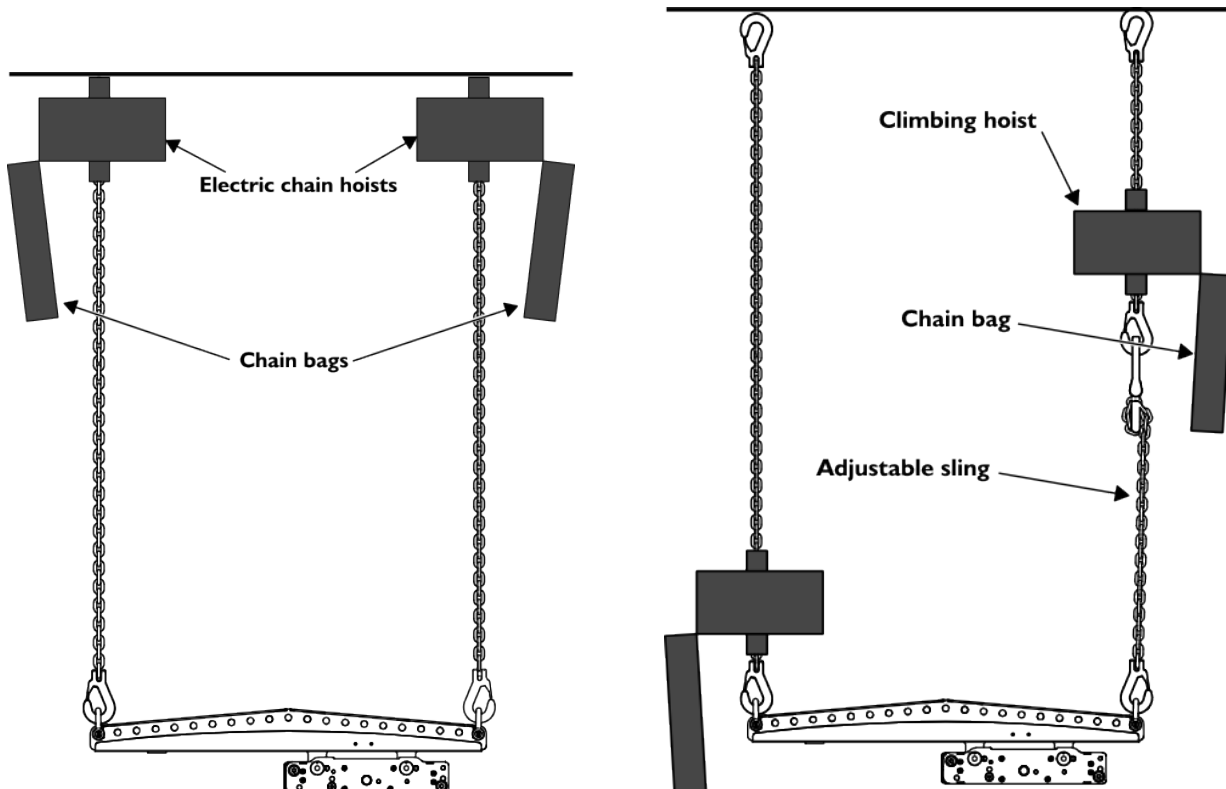
To control the azimuth of a flown K2 line, attach the K1-DELTA to the rear pickup point. The recommended space between the two lifting points is 1 m / 33 ft.

By adjusting the height of both pickup points you can adjust the azimuth angle from  $-10^{\circ}$  to  $+10^{\circ}$ .



## K1-BPCHAIN with a climbing hoist

With a climbing hoist you must use a K1-BPCHAIN adjustable sling to prevent the chain bag from hanging in front of the top enclosures of the array.



## Installing a laser inclinometer

The K2 rigging system is compatible with the following laser inclinometers:

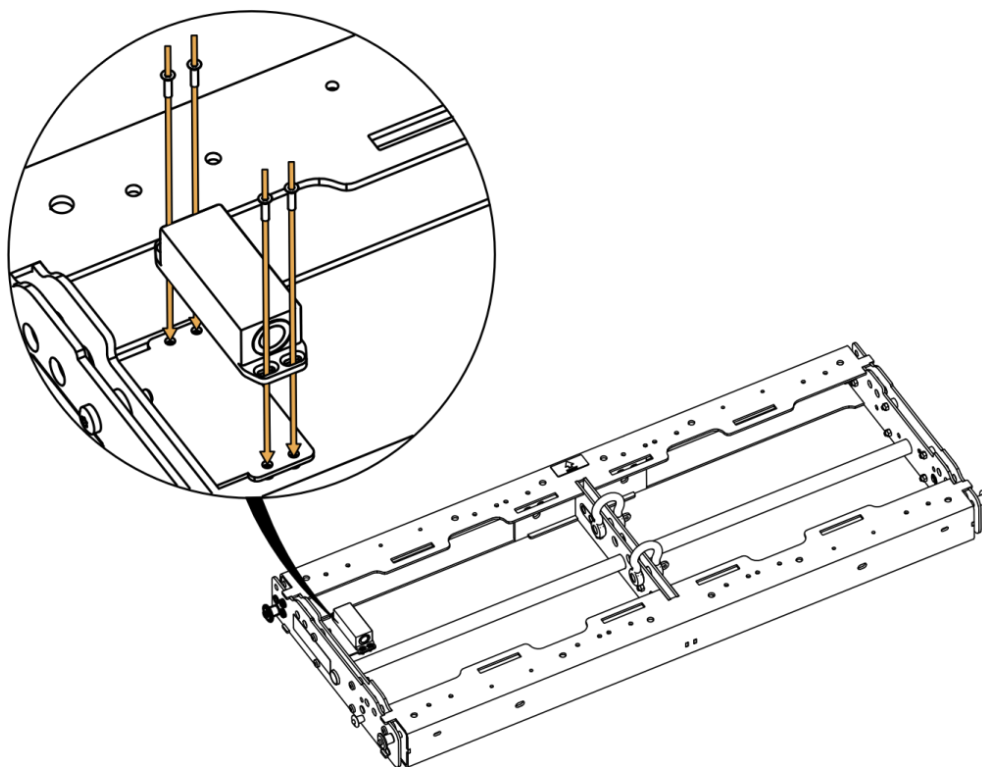
- TEQSAS®
- LAP-TEQ PLUS (part of the L-ACOUSTICS® TECH TOOLCASE)
- TEQSAS® LAP-TEQ (legacy model)
- KSG® RECLINE Compact
- SSE® ProSight

**!** **LAP-TEQ / LAP-TEQ PLUS sensor and display compatibility**  
The legacy LAP-TEQ sensors are compatible with the new TEQSAS® LAP-TEQ PLUS displays. Conversely, the new sensors are not compatible with the legacy displays.

### TEQSAS® LAP-TEQ PLUS / LAP-TEQ / KSG® RECLINE Compact

#### Procedure

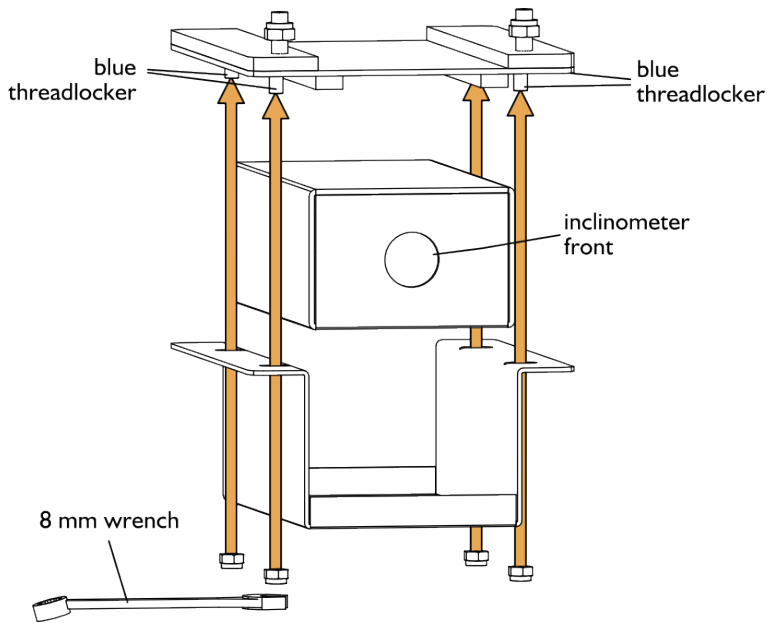
1. Remove the four M4 Torx screws (T20) from the plate.
2. Put thread-locker in the four threaded inserts.
3. Position the sensor so it points toward the front of the K2-BUMP.
4. Secure the sensor with the four screws.
5. Connect the XLR cable to the sensor.
6. Follow the manufacturer instructions to calibrate the inclinometer.



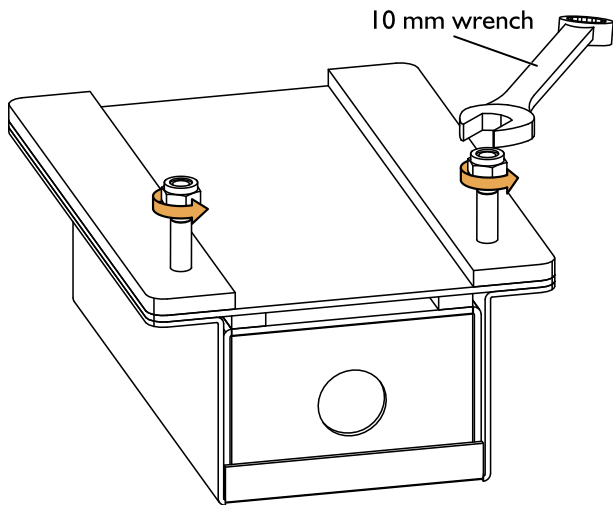
## SSE PROSIGHT

### Procedure

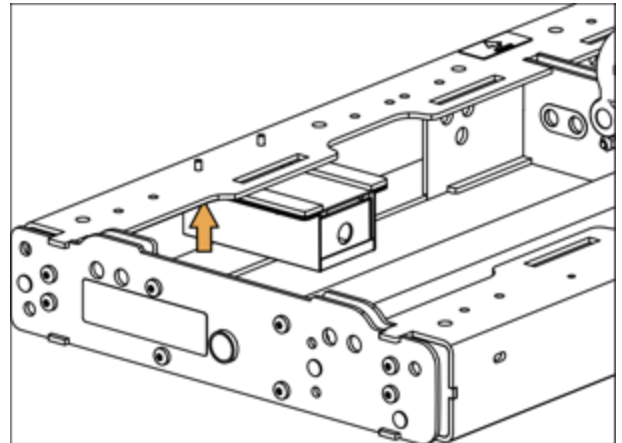
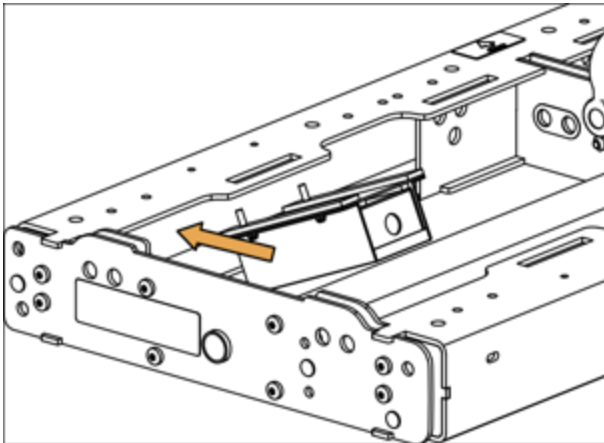
1. Install the SSE PROSIGHT laser in the SSE K2 BUMP bracket.



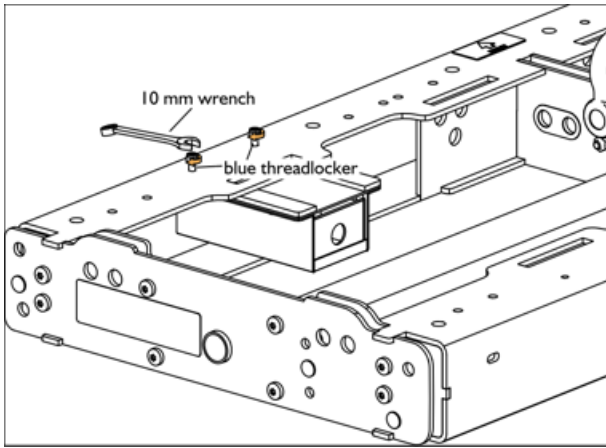
2. Remove the nuts from the top studs.



3. Position the assembly inside the K2-BUMP.



4. Secure the assembly with the two nuts.



## K2-LASERMOUNT

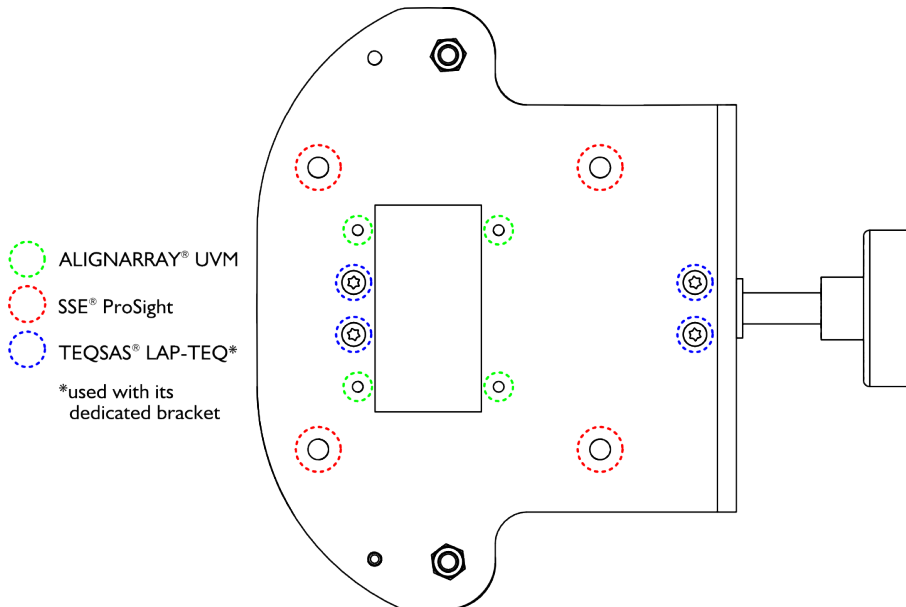
The L-ACOUSTICS® K2-LASERMOUNT is a support plate designed to attach a remote laser inclinometer to the side of a K2 enclosure. It is compatible with five sensor models: TEQSAS® LAP-TEQ PLUS (part of the L-ACOUSTICS® TECH TOOLCASE, refer to spec sheet), TEQSAS® LAP-TEQ (legacy model), KSG® RECLINE Compact, ALIGNARRAY® UVM, and SSE® ProSight.

### Procedure

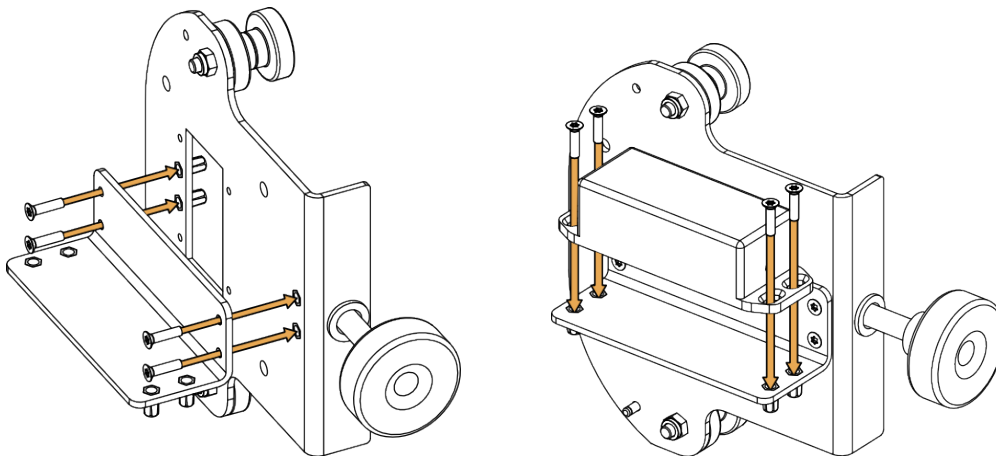
**1. Mount the inclinometer on the K2-LASERMOUNT.**

Refer to the figure below for the position of the screws on the support plate for each model.

Use thread-locker on each screw.

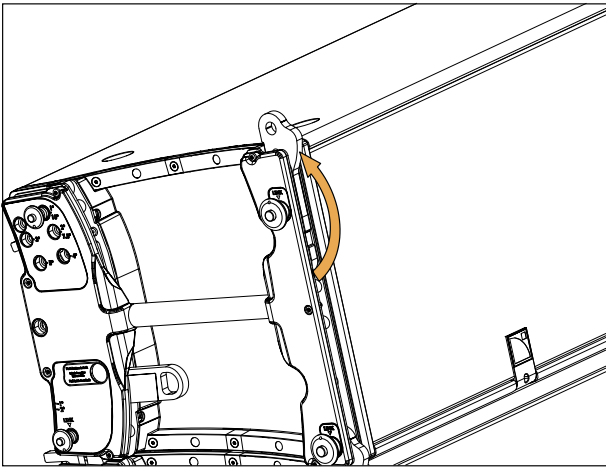


To mount the LAP-TEQ PLUS / LAP-TEQ / RECLINE use the bracket delivered with the inclinometer.

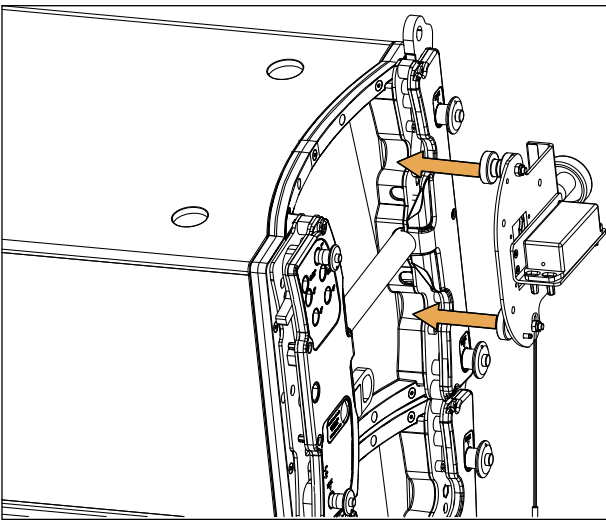




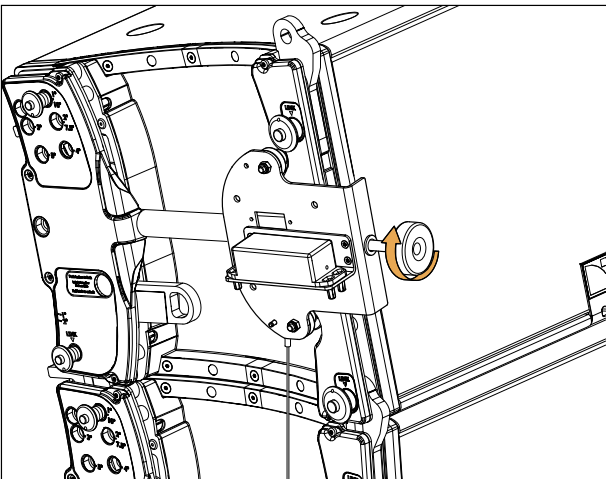
2. Rotate the front arm and secure it with its pin.



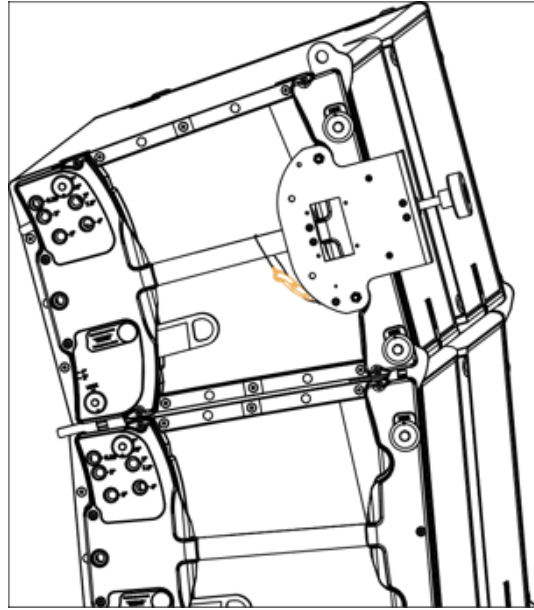
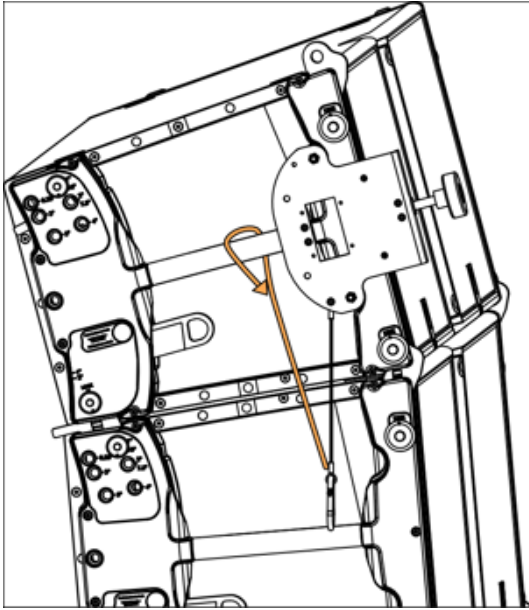
3. Position the K2-LASERMOUNT on the side of the enclosure.



4. Maintain the K2-LASERMOUNT in position by tightening the knob.



5. Secure the K2-LASERMOUNT by running the sling inside and around the K2 handle and locking it on itself.



## Recommendation for speaker cables

Follow the recommended maximum length for loudspeaker cables to ensure minimal SPL attenuation.



### Cable quality and resistance

Only use high-quality fully insulated speaker cables made of stranded copper wire.

Use cables with a gauge offering low resistance per unit length and keep the cables as short as possible.

The table below provides the recommended maximum length for loudspeaker cables depending on the cable gauge and on the impedance load connected to the amplifier.

cable gauge			recommended maximum length					
			8 Ω load		4 Ω load		2.7 Ω load	
mm <sup>2</sup>	SWG	AWG	m	ft	m	ft	m	ft
2.5	15	13	30	100	15	50	10	33
4	13	11	50	160	25	80	17	53
6	11	9	74	240	37	120	25	80

Use the more detailed L-Acoustics calculation tool to evaluate cable length and gauge based on the type and number of enclosures connected. The calculation tool is available on our website:

<https://www.l-acoustics.com/installation-tools/>



**L-Acoustics**

13 rue Levacher Cintrat - 91460 Marcoussis - France  
+33 1 69 63 69 63 - [info@l-acoustics.com](mailto:info@l-acoustics.com)  
[www.l-acoustics.com](http://www.l-acoustics.com)

 **L-ACOUSTICS**  
GROUP